

GR SERIES

PARTS LIST

VERSION
MARCH, 1995

PARTS LIST I

INDEX II

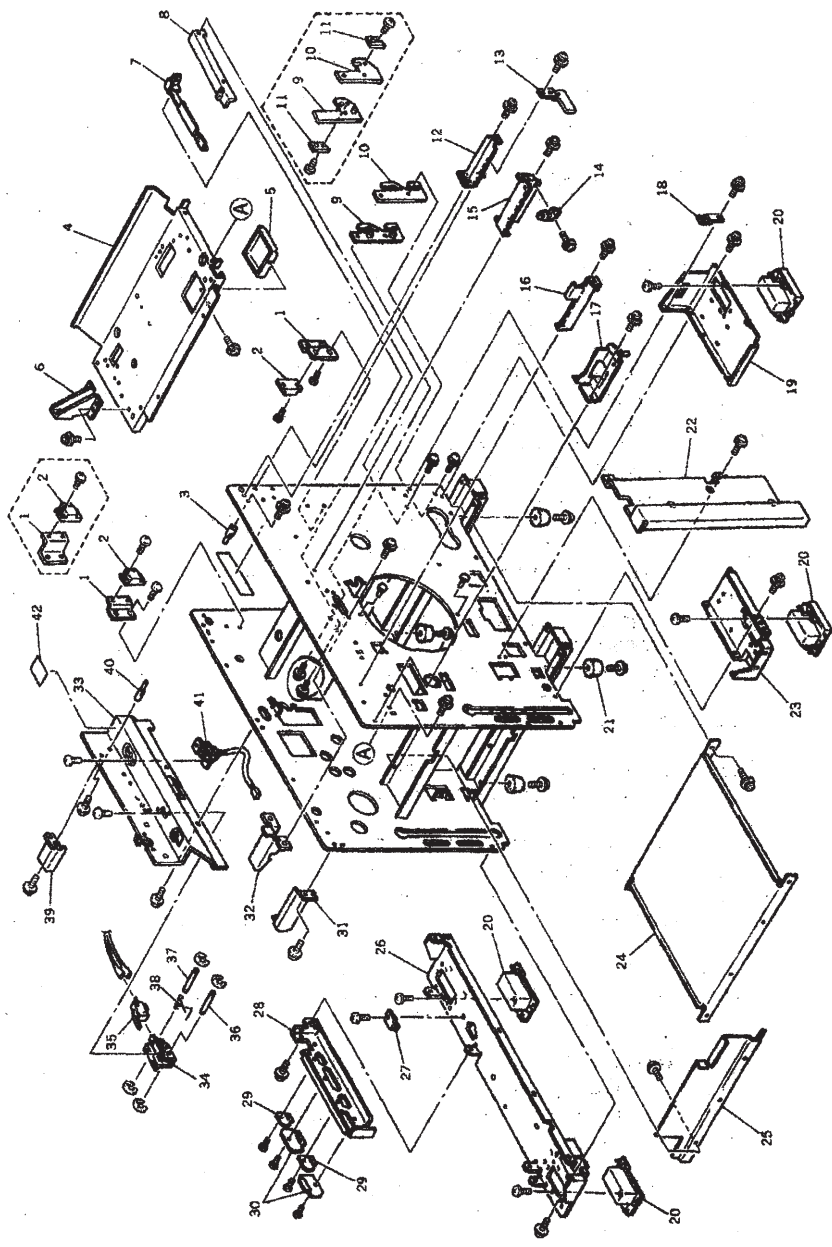
[ATTENTION]

- ★ If you want to order spare parts, please make sure of what is the spare parts you want referring to Parts List, and never fail to inform us the number, name and quantity of the spare parts you want referring to Index.
- ★ It should be agreed that some parts will be modified or added without prior information.
- ★ The parts composing of an unit are marked ' * ' before their names and arranged just below the name of the unit.
In case the parts marked with ' * ' is also an assembly, its components are marked ' ** ' before their names.
- ★ As the not-numbered parts in Parts List can't be ordered, please order the unit including the not-numbered parts if you want them.
- ★ The actual parts to be shipped may differ in parts number in the last three digits from those on this parts list, but they are compatible.

I. PARTS LIST

Fig. 1	MAIN BODY AREA (GR1700, GR1750)	2
Fig. 2	MAIN BODY AREA (GR2710, GR2750)	4
Fig. 3	MAIN BODY AREA (GR3750)	6
Fig. 4	ELEVATOR - SCRAPER AREA	8
Fig. 5	PAPER-FEED TRAY (GR1700)	10
Fig. 6	PAPER-FEED TRAY (GR1750, GR2710, GR2750)	12
Fig. 7	PAPER-FEED TRAY (GR3750)	14
Fig. 8	DRIVE MECHANISM AREA	16
Fig. 9	ROLLER SYSTEM AREA (GR1700, GR1750, GR2710, GR2750)	20
Fig. 10	ROLLER SYSTEM AREA (GR3750)	22
Fig. 11	SQUEEGEE-INK PUMP UNIT AREA (GR1700, GR1750, GR2710, GR2750)	24
Fig. 12	SQUEEGEE-INK PUMP UNIT AREA (GR3750)	28
Fig. 13	DRUM-SCREEN AREA (GR1700, GR1750, GR2710, GR2750)	32
Fig. 14	DRUM-SCREEN AREA (GR3750)	34
Fig. 15	LOCK LEVER AREA	36
Fig. 16	CLAMP-PRESSURE CONTROL AREA (GR1700)	38
Fig. 17	CLAMP-PRESSURE CONTROL AREA (GR1750, GR2710, GR2750, GR3750)	40
Fig. 18	SEPARATOR AREA (GR1700, GR1750, GR2710, GR2750)	42
Fig. 19	SEPARATOR AREA (GR3750)	44
Fig. 20	SUCTION UNIT (GR1700)	46
Fig. 21	SUCTION UNIT (GR1750, GR2710, GR2750, GR3750)	48
Fig. 22	PAPER RECEIVING TRAY	50
Fig. 23	PRECISION STACKING TRAY	52
Fig. 24	UPPER COVER (GR1700, GR1750)	54
Fig. 25	ADF AREA (1) (GR1700, GR1750)	56
Fig. 26	ADF AREA (2) (GR1700, GR1750)	58
Fig. 27	ADF AREA (1) (GR2710, GR2750, GR3750)	60
Fig. 28	ADF AREA (2) (GR2710, GR2750, GR3750)	62
Fig. 29	SCANNER AREA	64
Fig. 30	MASTER-MAKING AREA (1) (GR1700, GR1750, GR2710, GR2750)	68
Fig. 31	MASTER-MAKING AREA (2) (GR1700, GR1750, GR2710, GR2750)	70
Fig. 32	MASTER-MAKING AREA (1) (GR3750)	72
Fig. 33	MASTER-MAKING AREA (2) (GR3750)	74
Fig. 34	CUTTER UNIT (GR1700, GR1750, GR2710, GR2750)	76
Fig. 35	CUTTER UNIT (GR3750)	78
Fig. 36	MASTER REMOVAL UNIT (GR1700, GR1750)	80
Fig. 37	MASTER REMOVAL UNIT (GR2710, GR2750)	84
Fig. 38	MASTER REMOVAL UNIT (GR3750)	86
Fig. 39	MASTER DISPOSAL BOX (GR1700, GR1750, GR2710, GR2750)	88
Fig. 40	MASTER DISPOSAL BOX (GR3750)	90
Fig. 41	ELECTRICAL COMPONENT AREA (1) (GR1700, GR1750, GR2710)	92
Fig. 42	ELECTRICAL COMPONENT AREA (1) (GR2750, GR3750)	96
Fig. 43	ELECTRICAL COMPONENT AREA (2)	98
Fig. 44	EXTERIOR COVER AREA (GR1700, GR1750)	100
Fig. 45	EXTERIOR COVER AREA (GR2710, GR2750, GR3750)	102
Fig. 46	STAGE COVER	104
Fig. 47	DIGITIZER	106
Fig. 48	CONNECTING PARTS FOR OPTION	108

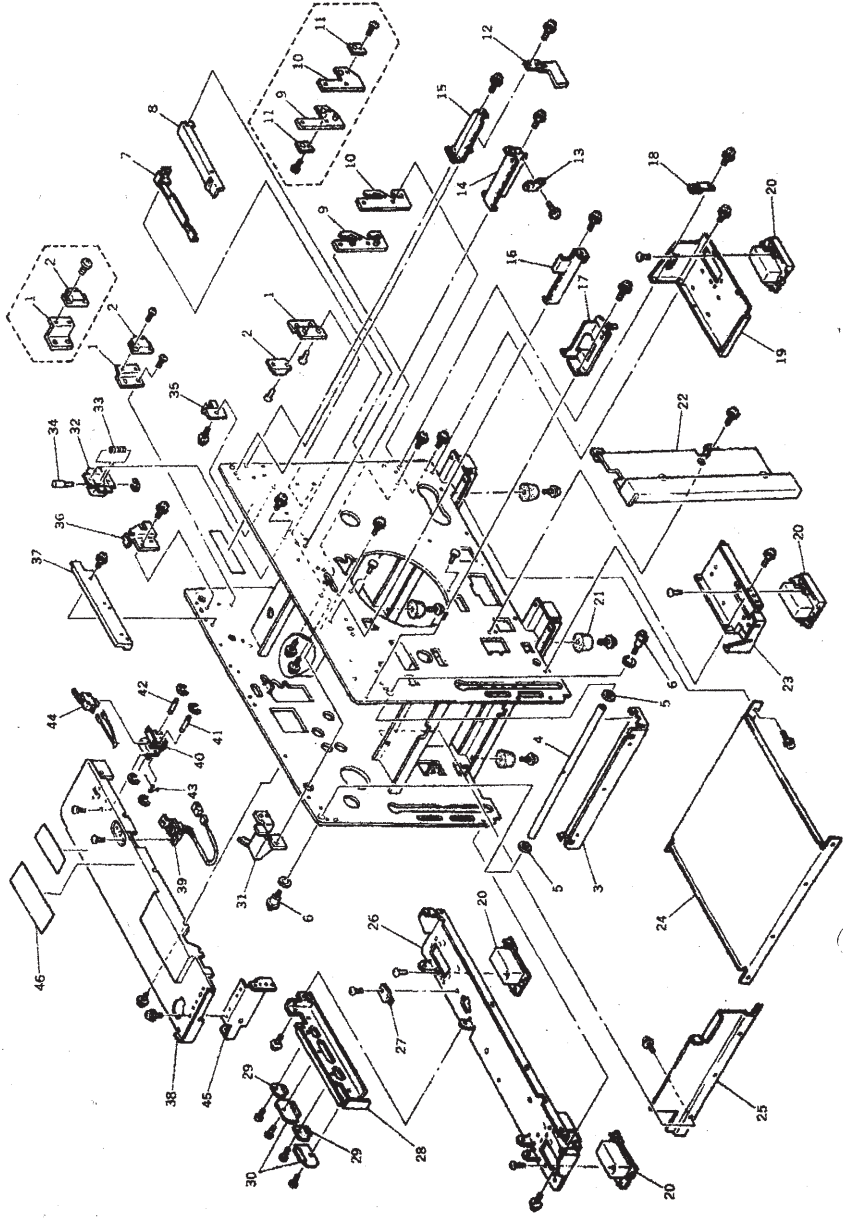
Fig. 1 MAIN BODY AREA (GR1700, GR1750)



No.	Part No.	Part Name	Q'ty	Remark
	011-98110-009	Magnet Catch Ass'y; P.-Rev.-T.		
1	011-13122-001	*Bracket; Magnet Catch; P.-Rev.-T.	1	
2	660-05000-018	*Magnet Catch SM50P	1	P.S. Tray
	017-93110-002	Magnet Catch Ass'y D; P.-Rev.-T.		
1	017-23405-005	*Bracket D; Magnet Catch; P.-Rev.-T.	1	
2	660-05000-018	*Magnet Catch SM50P	1	
3	017-16211-106	Fulcrum; Hook Catch	1	
4	017-26001-100	ADF Base Frame	1	
5	017-16006-103	Bottom Blind Plate; ADF	1	
6	017-16008-009	Bracket A; Back Cover	1	1700
7	011-11112-008	Bracket R; Suction	1	1750
8	017-23202-104	Bracket RII; Suction	1	1700
8	011-11111-002	Bracket F; Suction	1	1750
8	017-23201-000	Bracket FII; Suction	1	
9	011-13146-105	Set Plate R; P.-Rev.-T.	1	
9	017-23403-304	Set Plate D-R; P.-Rev.-T.	1	P.S. Tray
10	011-13144-102	Set Plate F; P.-Rev.-T.	1	
10	017-23401-301	Set Plate D-F; P.-Rev.-T.	1	P.S. Tray
11	019-13119-009	Lock Plate; P.-Rev.-T.	2	P.S. Tray
12	011-17206-005	Bracket E; Keyboard	1	
13	011-17231-000	Set Plate Upper; Front Right Cover	1	
	019-97220-001	Keyboard Bracket D Ass'y		
14	002-17017-203	*Cover Catch B; Front	1	
15	019-17206-003	*Bracket D; Keyboard	1	
16	019-17205-007	Bracket C; Keyboard	1	
17	019-17202-008	Upper Hinge	1	
18	011-17209-004	Set Plate; Front Right Cover	1	
19	017-17210-006	Bottom Plate (Right)	1	
20	017-17220-109	Carrying Grasp	4	
21	660-01000-200	Rubber Foot K-45	4	
22	011-14502-002	Inner Cover	1	
23	019-17212-003	Bracket; Hinge	1	
24	011-11113-200	Bottom Cover	1	
25	011-14120-207	Front Cover; Mi.-Rmv.	1	
26	017-17217-000	Bottom Plate (Left)	1	

No.	Part No.	Part Name	Q'ty	Remark
27	011-17220-008	Blind Plate B; Connector	1	
28	017-17224-007	Mount II; Connector	1	200V
28	017-17221-008	Mount; Connector	1	100V
29	017-17222-004	Blind Plate C; Connector	2	
30	017-17223-000	Blind Plate D; Connector	2	
31	017-17230-007	Bracket B; Back Cover	1	
32	017-15113-305	Bracket; Wire Harness	1	
33	017-96100-105	Unit/Upper Rear Frame	1	
	017-16201-402	*Upper Rear Frame		
	017-96110-100	*Upper Cover Set SW Ass'y		
34	017-16121-000	**Bracket; Upper Cover Set SW	1	
35	443-00121-400	**Micro-SW; E21-51H-009	1	
36	017-16123-002	**Shaft B; Upper Cover Set SW	1	
37	017-16122-006	**Shaft A; Upper Cover Set SW	1	
38	017-16124-106	**Spring; Upper Cover Set SW	1	
39	017-16007-002	*Bracket B; Back Cover	1	
40	017-16211-106	*Fulcrum; Hook Catch	1	
41	017-60010-002	*Switch A	1	
42	550-20711-204	Seal; Master Cut	1	
42	550-20712-200	Seal; Master Cut; Pic.	1	

Fig. 2 MAIN BODY AREA (GR2710, GR2750)

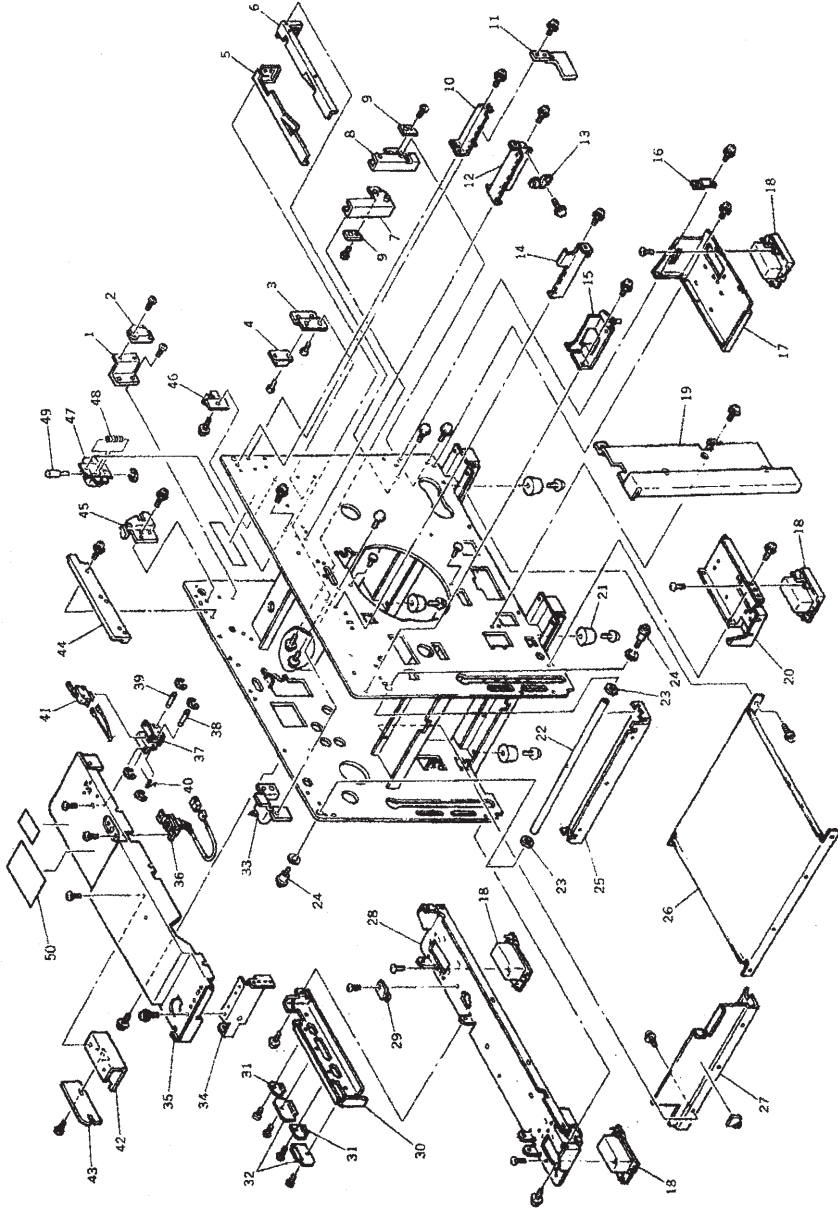


No.	Part No.	Part Name	Q'ty	Remark
	011-93110-009	Magnet Catch Assy; P.-Rev.-T.		
1	011-13122-001	*Bracket; Magnet Catch; P.-Rev.-T.	1	
2	660-05000-018	*Magnet Catch SM50P	1	P.S. Tray
	017-93110-002	Magnet Catch Assy D; P.-Rev.-T.		
1	017-23405-005	*Bracket D; Magnet Catch; P.-Rev.-T.	1	
2	660-05000-018	*Magnet Catch SM50P	1	
3	018-16207-009	Fulcrum Support Plate; FB	1	
4	018-16201-000	Fulcrum Shaft; FB	1	
5	607-09001-003	Metal; S14 x 18 x 4.5	2	
6	018-16202-007	Stepped Screw; M6 x 10	2	
7	017-23202-104	Bracket RII Suction	1	
8	017-23201-000	Bracket FII; Suction	1	
9	011-13146-106	Set Plate R; P.-Rev.-T.	1	P.S. Tray
9	017-23403-304	Set Plate D-R; P.-Rev.-T.	1	
10	011-13144-102	Set Plate F; P.-Rev.-T.	1	P.S. Tray
10	017-23401-301	Set Plate D-F; P.-Rev.-T.	1	P.S. Tray
11	019-13119-009	Lock Plate; P.-Rev.-T.	2	
12	011-17233-000	Set Plate Upper; Front Right Cover	1	
	019-97220-001	Keyboard Bracket D Assy		
13	002-17017-203	*Cover Catch B; Front	1	
14	019-17206-003	*Bracket D; Keyboard	1	
15	011-17206-005	Bracket E; Keyboard	1	
16	019-17205-007	Bracket C; Keyboard	1	
17	019-17202-008	Upper Hinge	1	
18	011-17208-004	Set Plate; Front Right Cover	1	
19	017-17210-006	Bottom Plate (Right)	1	
20	017-17220-109	Carrying Grasp	4	
21	660-01000-200	Rubber Foot K-45	4	
22	011-14502-002	Inner Cover	1	
23	019-17212-003	Bracket; Hinge	1	
24	011-11113-200	Bottom Cover	1	
25	011-14120-207	Front Cover; M.-Rmv.	1	
26	017-17217-000	Bottom Plate (Left)	1	
27	011-17220-008	Blind Plate B; Connector	1	
28	017-17224-007	Mount II; Connector	1	200V

No.	Part No.	Part Name	Q'ty	Remark
28	017-17221-008	Mount; Connector	1	100V
29	017-17222-004	Blind Plate C; Connector	2	
30	017-17223-000	Blind Plate D; Connector	2	
31	017-16113-305	Bracket; Wire Harness	1	
32	018-16241-002	Bracket; Damper Stopper	1	
33	018-16242-009	Spring; Damper Stopper	1	
34	018-16243-102	Cap; Damper Stopper	1	
35	018-16229-002	Hook Plate (F); FB	1	
36	019-17252-200	Hook Plate (R); FB	1	
37	019-17251-106	Lock Plate; Support Shaft	1	
	018-96120-006	Unit/Upper Rear Frame; FB		
38	018-26206-108	*Upper Rear Frame; FB	1	
39	017-60010-002	*Switch A	1	
40	017-16121-000	*Bracket; Upper Cover Set SW	1	
41	017-16122-006	*Shaft A; Upper Cover Set SW	1	
42	017-16123-002	*Shaft B; Upper Cover Set SW	1	
43	017-16124-106	*Spring; Upper Cover Set SW	1	
44	443-00121-400	*Micro-SW; E21-51H-009	1	
45	018-26205-004	Bracket; Back Cover	1	
46	550-20711-204	Seal; Master Cut	1	
46	550-20712-200	Seal; Master Cut; Pic.	1	

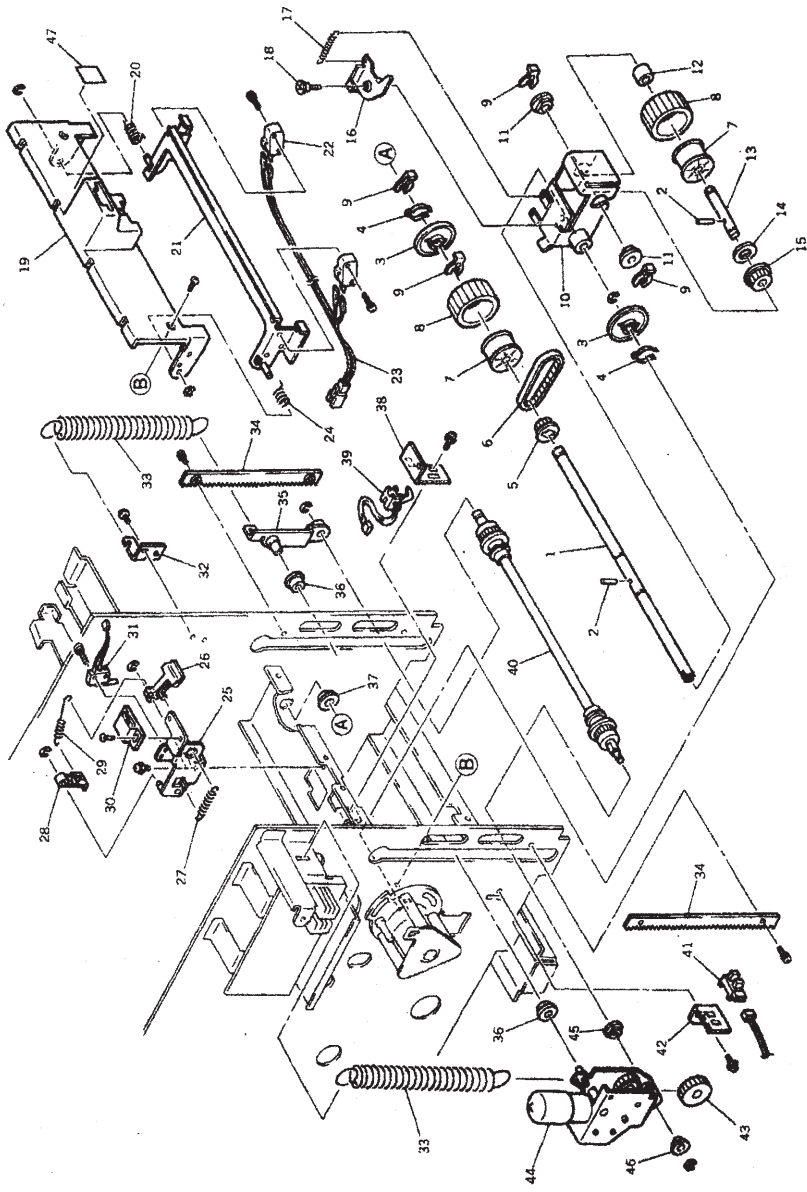
P.S. Tray; Precision Stacking Tray

Fig. 3 MAIN BODY AREA (GR3750)



No.	Part No.	Part Name	Q'ty	Remark
1	019-93110-007	Magnet Catch Assy; P.-Rev.-T.; A3	1	
2	019-23405-000	*Bracket; Magnet Catch; P.-Rev.-T.; A3	1	
3	660-08000-018	*Magnet Catch SM50P	1	
4	011-93110-009	Magnet Catch Assy; P.-Rev.-T.	1	
5	011-13122-001	*Bracket; Magnet Catch; P.-Rev.-T.	1	
6	660-05000-018	*Magnet Catch SM50P	1	
7	019-23205-000	Bracket R; Suction; A3	1	
8	019-23204-004	Bracket F; Suction; A3	1	
9	019-23403-201	Set Plate R; P.-Rev.-T.; A3	1	
10	019-23401-209	Set Plate F; P.-Rev.-T.; A3	1	
11	019-13119-009	Lock Plate; P.-Rev.-T.	2	
12	011-17206-005	Bracket E; Keyboard	1	
13	011-17231-000	Set Plate Upper; Front Right Cover	1	
14	019-97220-001	Keyboard Bracket D Assy	1	
15	019-17206-003	*Bracket D; Keyboard	1	
16	002-17017-203	*Cover Catch B; Front	1	
17	019-17205-004	Bracket C; Keyboard	1	
18	011-17202-008	Upper Hinge	1	
19	011-17209-004	Set Plate; Front Right Cover	1	
20	017-17210-006	Bottom Plate (Right)	1	
21	017-17220-109	Carrying Grasp	1	
22	011-14502-002	Inner Cover	4	
23	019-17212-003	Bracket; Hinge	1	
24	660-01000-200	Rubber Foot K-45	4	
25	019-26201-006	Fulcrum Shaft; FB	1	
26	607-09001-003	Metal; S14 x 18 x 4.5	2	
27	018-16202-007	Stepped Screw; M6 x 10	2	
28	019-26205-001	Fulcrum Support Plate; FB	1	
29	014-11114-003	Bottom Cover; A3	1	
30	014-14119-308	Front Cover; M-Rmv.; A3	1	
31	017-17217-000	Bottom Plate (Left)	1	
32	011-17220-008	Blind Plate B; Connector	1	
33	017-17224-007	Mount II; Connector	1	200V
34	017-17221-008	Mount; Connector	1	100V
35	017-17222-004	Blind Plate C; Connector	2	
36	017-17223-000	Blind Plate D; Connector	2	
37	019-25006-200	Bracket; Wire Harness	1	
38	019-26213-004	Bracket; Back Cover	1	
39	019-96110-016	Unit/Upper Rear Frame; FB	1	
40	019-26206-105	*Upper Rear Frame; FB	1	
41	017-60010-002	*Switch A	1	
42	017-16121-000	*Bracket; Upper Cover Set SW	1	
43	017-16122-006	*Shaft A; Upper Cover Set SW	1	
44	017-16123-002	*Shaft B; Upper Cover Set SW	1	
45	017-16124-106	*Spring; Upper Cover Set SW	1	
46	443-00121-400	*Micro-SW; E21-51H-009	1	
47	019-26215-104	Set Bracket; Wire Harness	1	
48	019-26216-003	Guide Plate; Wire Harness	1	
49	019-17251-106	Lock Plate; Support Shaft	1	
50	019-17252-200	Hook Plate (R); FB	1	
51	018-16241-002	Hook Plate (F); FB	1	
52	018-16242-009	Bracket; Damper Stopper	1	
53	018-16243-102	Spring; Damper Stopper	1	
54	018-16243-102	Cap; Damper Stopper	1	
55	550-21036-004	Seal; Master Cut	1	
56	550-21037-000	Seal; Master Cut; Ptc.	1	

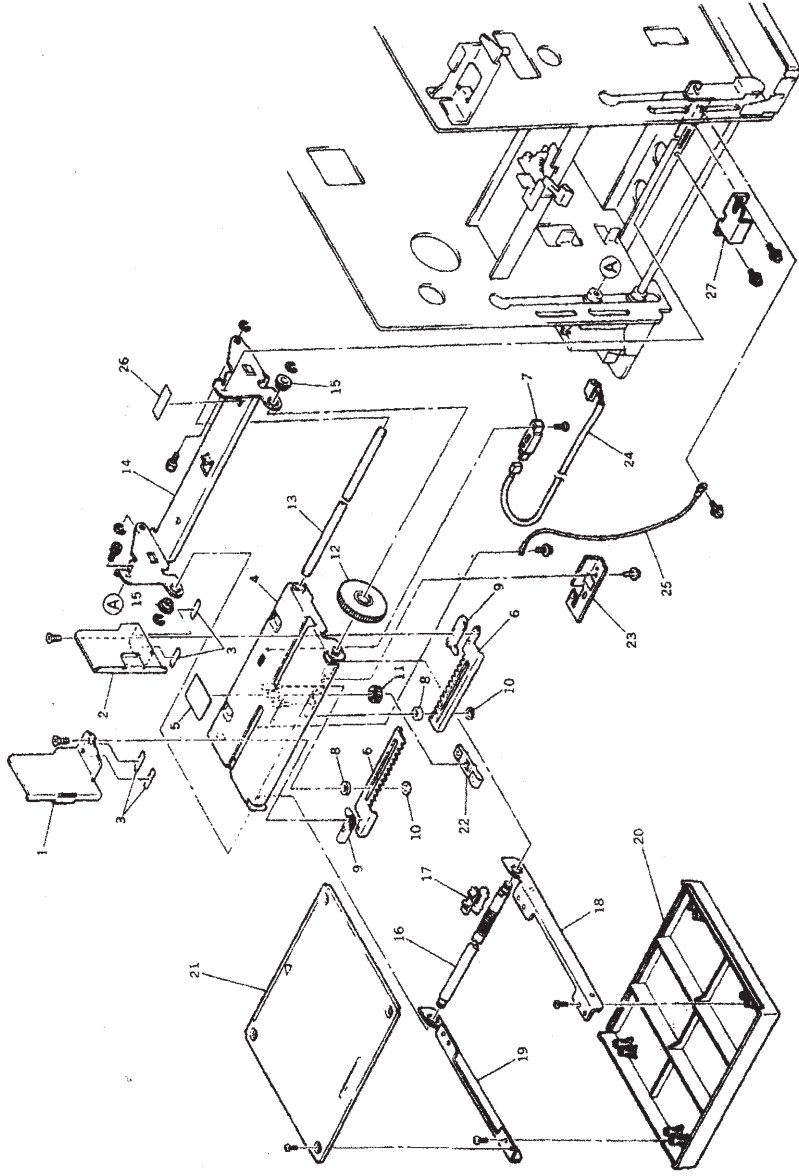
Fig. 4 ELEVATOR - SCRAPER AREA



No.	Part No.	Part Name	Q'ty	Remark
	019-91811-202	Scraper Ass'y		A3
	017-91813-200	Scraper Ass'y		B4, A4, L
1	019-21805-108	*Shaft; Pickup Roller	1	A3
1	017-11811-202	*Shaft; Pickup Roller	1	B4, A4, L
2		*Pin; ϕ 2 x 14	2	Ref.Pg.II:36
3	011-11522-002	*Paper Guide Roller	2	
4	000-06123-007	*Stopper; Paper Guide Roller	2	
5	611-42100-001	*Pulley; P21-3M060 (HTD)	1	
6	620-31776-002	*Belt; 177-3M-6	1	
7	011-11820-003	*Pickup Roller Ass'y V	2	
7	006-11332-009	**Core; Pickup Roller	2	
8	011-11821-000	**Rubber Roller V; Pickup	2	
9	019-11812-008	*Lock Ring	4	
10	019-11801-007	*Holder Plate; Scraper	1	
11	607-16000-802	*Metal; F10 x 18/16 x 5; 22 x 1.5	2	
12	017-11818-002	*Scraper Collar	1	
13	017-11812-004	*Shaft; Scraper	1	
14	638-90000-012	*Washer; 18 x 10.4 x 0.4	1	A3
15	611-42800-004	*Pulley; P26-3M060 (HTD)	1	
16	019-11803-000	*Upper Arm; Scraper	1	
17	019-11804-006	*Spring; Scraper	1	
18	635-17613-004	*Stepped Screw; M3 x 4	1	
	019-91800-006	Feed Tray Safety SW Ass'y; A3		A3
	017-11805-003	Feed Tray Safety SW Ass'y II		B4, A4, L
19	019-21801-005	*Cover; Pickup Roller	1	A3
19	017-11801-100	*Cover; Pickup Roller	1	B4, A4, L
20	017-11819-009	*Spring F; Safety SW	1	
21	019-21802-001	*Bracket; Feed Tray Safety SW	1	A3
21	017-11802-106	*Bracket; Feed Tray Safety SW	1	B4, A4, L
22	443-02000-708	*Micro-SW; AM50630A331	2	
23	019-55032-000	*Wire Harness; Feed Tray Safety SW	1	
24	017-11820-007	*Spring B; Safety SW	1	
	019-91830-002	P.-F. Pressure Adj. Lever Ass'y		
25	017-11805-008	*Bracket; P.-F. Pressure Adj. Lever	1	
26	011-11810-008	*P.-F. Pressure Adj. Lever	1	

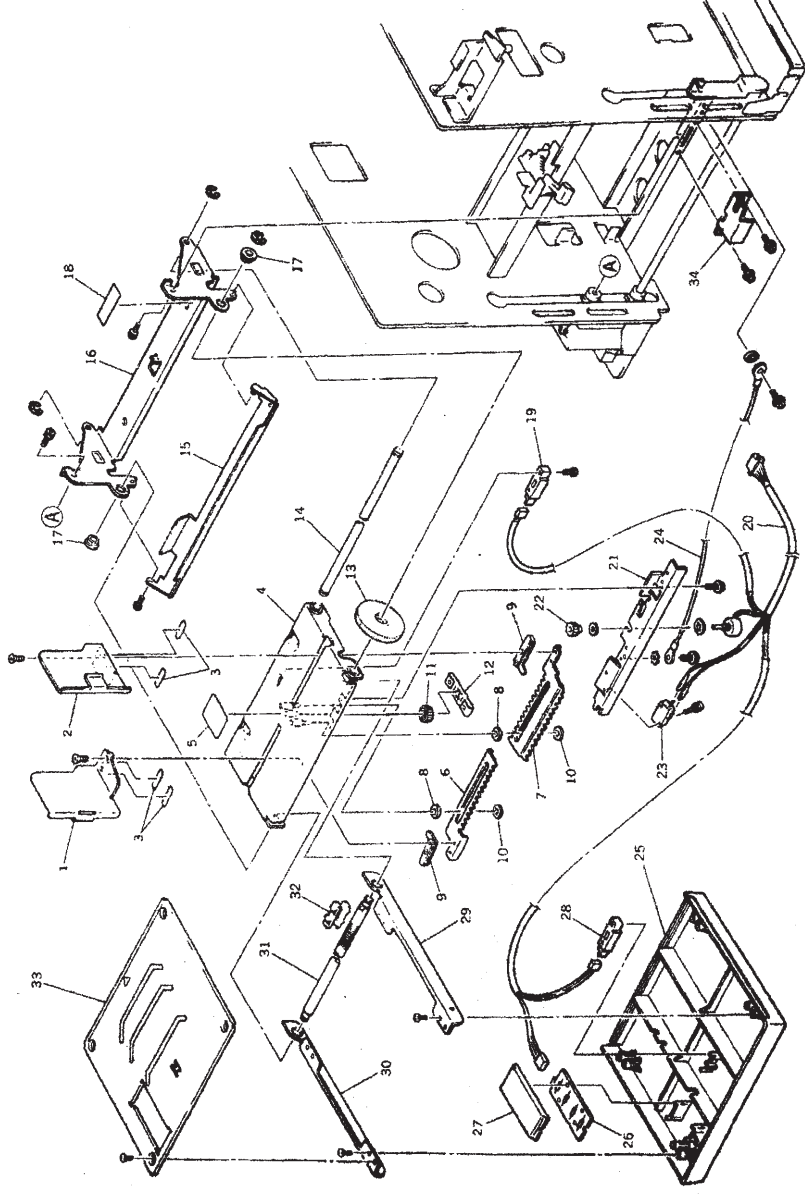
No.	Part No.	Part Name	Q'ty	Remark
27	011-11815-000	*Spring; P.-F. Pressure Adj. Lever	1	
28	017-11808-007	*Hook; P.-F. Pressure Adj.	1	
29	019-11811-002	*Spring B; P.-F. Pressure Adj.	1	
30	660-05000-301	*Magnet Catch; SM-41	1	
31	017-60025-000	*Micro-SW Ass'y 3	1	
32	017-11640-009	Bracket; Elevator Spring	1	
33	019-21802-002	Spring; Elevator	2	A3
33	017-11641-005	Spring; Elevator	2	B4, A4, L
34	002-11719-303	Rack; Elevator	2	
35	017-11602-301	Link Plate; Elevator	1	
36	002-11717-009	Collar; Elevator	2	
37	607-16000-403	Metal; F10 x 15/14 x 5.5; 20 x 2.5	1	
38	017-11810-206	Bracket; Upper Limit Sensor	1	
39	017-60007-001	Upper Limit Sensor	1	
40	019-91800-007	Shaft; Elevator	1	A3
40	017-91610-008	Shaft; Elevator	1	B4, A4, L
41	443-30003-003	Sensor; LG-203D	1	
42	017-11648-000	Bracket; Lower Limit Sensor	1	
43	017-11649-006	Gear; Elevator	1	
	017-91620-003	Unit/Elevator Motor		
44	017-65002-008	*Elevator Motor	1	
45	607-15000-000	Metal; F8 x 13/12 x 5; 16 x 2	1	
46	607-12001-006	Metal; F5 x 10/9 x 4; 12 x 1.5	1	
47	550-20687-001	Seal; P.-Feed Pressure	1	
47	550-20688-008	Seal; P.-Feed Pressure; Pic.	1	

Fig. 5 PAPER-FEED TRAY (GR1700)



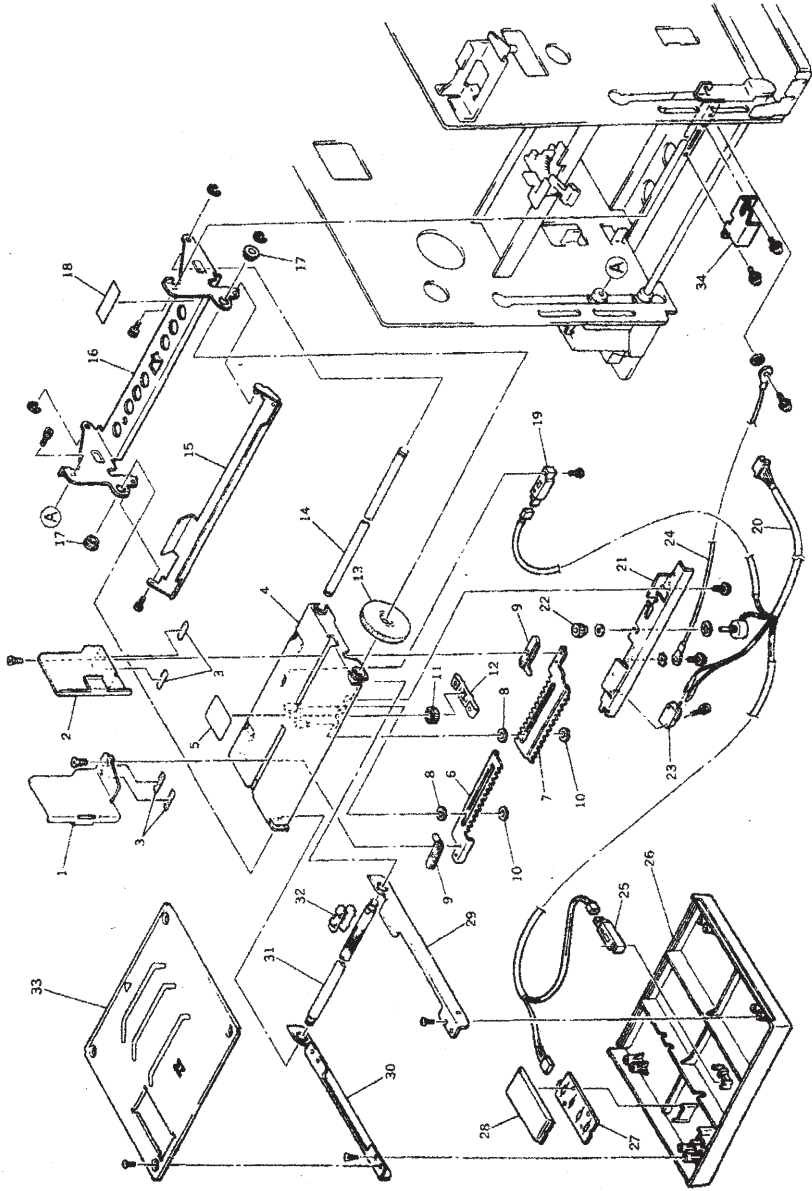
No.	Part No.	Part Name	Q'ty	Remark	No.	Part No.	Part Name	Q'ty	Remark
	017-91511-000	Unit/Paper-Feed Tray							
	017-91513-002	Unit/Paper-Feed Tray; US		U.S.A.					
1	011-11510-209	*Side Guide L; P. -F. -T.	1						
2	011-11509-200	*Side Guide R; P. -F. -T.	1						
3	019-11524-003	*Slide Sheet; P. -F. -T.	4						
4	017-21501-201	*Paper Feed Tray	1						
5	011-11516-002	*L. O. Sheet	1						
6	017-11512-108	*Slide Rack; P. -F. -T.	2						
7	443-30002-007	Sensor K; PS-R11LB	1						
8	011-11513-003	*Collar; Slide Rack; P. -F. -T.	2						
9	019-11522-108	*Link Plate; Side Guide; P. -F. -T.	2						
10	638-90616-005	*Washer; 6.1 x 12 x 1.6	2						
11	011-11514-000	*Gear; Slide Rack; P. -F. -T.	1						
12	011-11524-005	*Adj. Dial	1						
13	011-11503-008	*Shaft B; P. -F. -T.	1						
14	017-11503-109	*Bracket; P. -F. -T.	1						
15	600-60059-017	*Bearing; FLW68ZZ	2						
16	011-11502-001	*Shaft A; P. -F. -T.	1						
17	011-11523-106	*Adj. Nut; P. -F. -T.	1						
18	019-11521-004	*Support Plate L; Feed Board	1						
19	019-11520-008	*Support Plate R; Feed Board	1						
20	011-11529-201	*Feed Board Cover	1						
21	011-11528-000	*Feed Board	1						
21	011-41528-005	*Feed Board; US	1	U.S.A.					
22	014-11533-006	*Spring; Slide Rack	1						
23	017-11533-009	*Nut Holder	1						
24	019-55031-004	*Wire Harness S; P. -F. -T.	1						
25	488-90009-002	*Ground Wire; P. -F. -T.	1						
26	550-20590-105	*Seal; P. -F. -T.	1						
26	550-21121-001	*Seal; P. -F. -T.; US	1						
27	017-11548-005	Connector Cover	1						

Fig. 6 PAPER-FEED TRAY (GR1750, GR2710, GR2750)



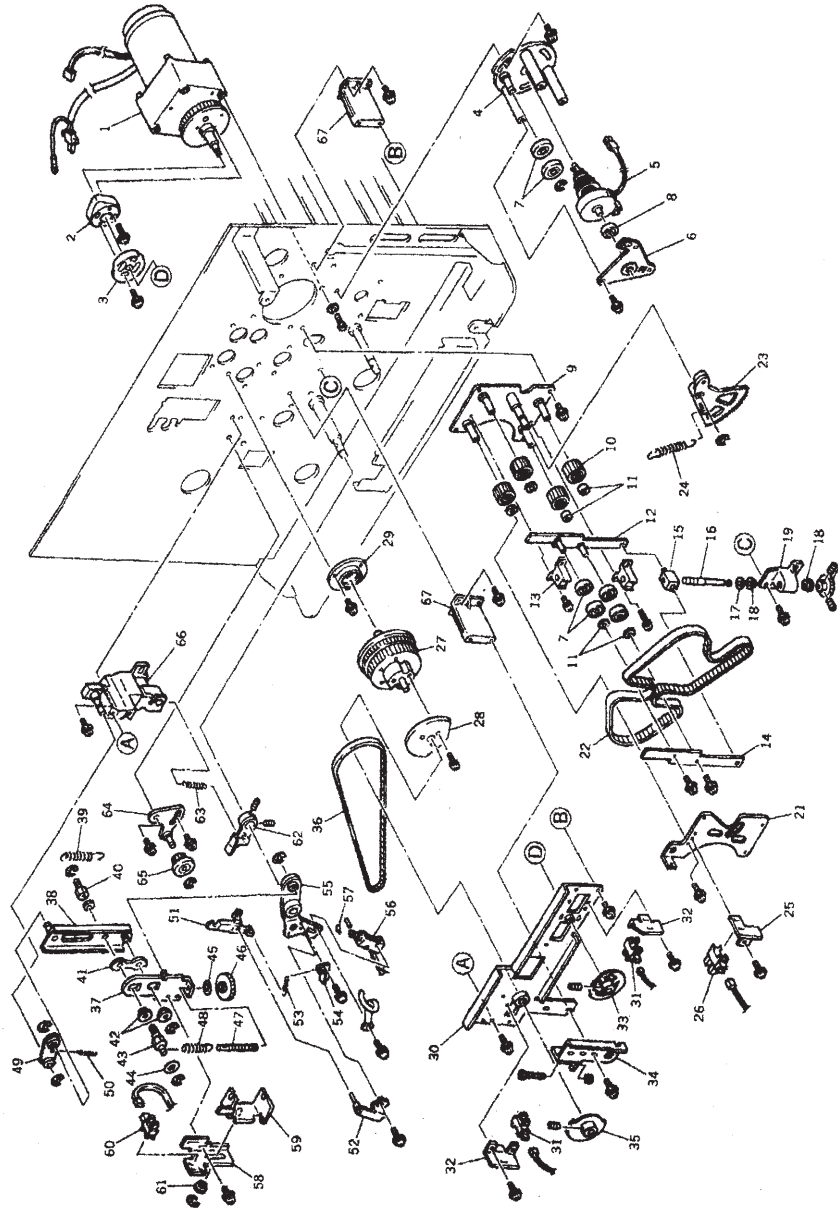
No.	Part No.	Part Name	Q'ty	Remark	
	017-91510-003	Unit/Paper-Feed Tray II			
	017-91512-006	Unit/Paper-Feed Tray II; US		U.S.A	
1	011-11510-209	*Slide Guide L; P.-F.-T.	1		
2	011-11509-200	*Slide Guide R; P.-F.-T.	1		
3	019-11524-003	*Slide Sheet; P.-F.-T.	4		
4	017-21501-201	*Paper Feed Tray	1		
5	011-11516-002	*L. O. Sheet	1		
6	017-11512-108	*Slide Rack; P.-F.-T.	1		
7	017-21807-102	*Slide Rack F; P.-F.-T.	1		
8	011-11513-003	*Collar; Slide Rack; P.-F.-T.	2		
9	019-11522-108	*Link Plate; Slide Guide; P.-F.-T.	2		
10	638-90616-005	*Washer; 6.1 x 12 x 1.6	2		
11	011-11514-000	*Gear; Slide Rack; P.-F.-T.	1		
12	014-11533-006	*Spring; Slide Rack	1		
13	011-11524-005	*Adj. Dial	1		
14	011-11503-008	*Shaft B; P.-F.-T.	1		
15	017-11513-104	*Actuator Plate; P.-F.-T.	1		
16	017-11503-109	*Bracket; P.-F.-T.	1		
17	600-50059-017	*Bearing; FLW688ZZ	2		
18	550-20690-105	*Seal; P.-F.-T.	1		
19	443-30002-007	*Sensor K; PS-R11LB	1		
20	019-55016-005	*Wire Harness II; P.-F.-T.	1		
21	017-11518-300	*Bracket; Size VR; P.-F.-T.	1		
22	017-11516-006	*Size Gear; P.-F.-T.	1		
23	443-02000-708	*Micro-SW; AM50630A331	1		
24	488-90009-002	*Ground Wire; P.-F.-T.	1		
25	011-11529-201	*Feed Board Cover	1		
26	017-60005-009	*Cassette Dat. Sensor; P.-F.-T.	1		
27	017-11519-005	*Lead SW Cover; P.-F.-T.	1		
28	443-32001-008	*Sensor S; GP2A20L	1		
29	019-11521-004	*Support Plate L; Feed Board	1		
30	019-11520-008	*Support Plate R; Feed Board	1		
31	011-11502-001	*Shaft A; P.-F.-T.	1		
32	011-11523-106	*Adj. Nut; P.-F.-T.	1		
33	017-11517-207	*Feed Board II	1		
	33	017-11530-009	*Feed Board II; US	1	U.S.A
	34	017-11548-005	Connector Cover	1	

Fig. 7 PAPER-FEED TRAY (GR3750)



No.	Part No.	Part Name	Q'ty	Remark	No.	Part No.	Part Name	Q'ty	Remark
	019-91500-002	Unit/Paper-Feed Tray; A3			32	011-11523-106	*Adj. Nut; P. -F. -T.	1	
	019-91501-009	Unit/Paper-Feed Tray; A3; US		U.S.A	33	019-21519-008	*Feed Board	1	
1	011-11510-209	*Side Guide L; P. -F. -T.	1		34	017-11548-005	Connector Cover	1	
2	011-11509-200	*Side Guide R; P. -F. -T.	1						
3	019-11524-003	*Slide Sheet; P. -F. -T.	4						
4	019-21502-105	*Paper Feed Tray	1						
4	019-21503-101	*Paper Feed Tray; US	1	U.S.A					
5	011-11516-002	*L.O. Sheet	1						
6	019-21513-000	*Slide Rack; P. -F. -T.	1						
7	019-21512-003	*Slide Rack F; P. -F. -T.	1						
8	011-11513-003	*Collar; Slide Rack; P. -F. -T.	2						
9	019-11522-108	*Link Plate; Side Guide; P. -F. -T.	2						
10	638-90616-005	*Washer; 6.1 x 12 x 1.6	2						
11	011-11514-000	*Gear; Slide Rack; P. -F. -T.	1						
12	014-11533-006	*Spring; Slide Rack	1						
13	011-11524-005	*Adj. Dial	1						
14	019-21501-001	*Shaft B; P. -F. -T.	1						
15	019-21514-006	*Actuator Plate; P. -F. -T.	1						
16	019-21517-005	*Bracket; P. -F. -T.	1						
17	600-50059-017	*Bearing; FLW688ZZ	2						
18	550-20590-105	*Seal; P. -F. -T.	1						
18	550-21121-001	*Seal; P. -F. -T.; US	1	U.S.A					
19	443-30002-007	*Sensor K; PS-R11LB	1						
20	019-55016-005	*Wire Harness II; P. -F. -T.	1						
21	019-21518-001	*Bracket; Size VR; P. -F. -T.	1						
22	017-11516-006	*Size Gear; P. -F. -T.	1						
23	443-02000-708	*Micro-SW; AM50630A331	1						
24	488-90009-002	*Ground Wire; P. -F. -T.	1						
25	443-32001-008	*Sensor S; GP2A20L	1						
26	014-11529-106	*Feed Board Cover	1						
27	017-60005-009	*Cassette Det. Sensor; P. -F. -T.	1						
28	017-11519-005	*Lead SW Cover; P. -F. -T.	1						
29	019-11521-004	*Support Plate L; Feed Board	1						
30	019-11520-008	*Support Plate R; Feed Board	1						
31	014-11502-003	*Shaft A; P. -F. -T.	1						

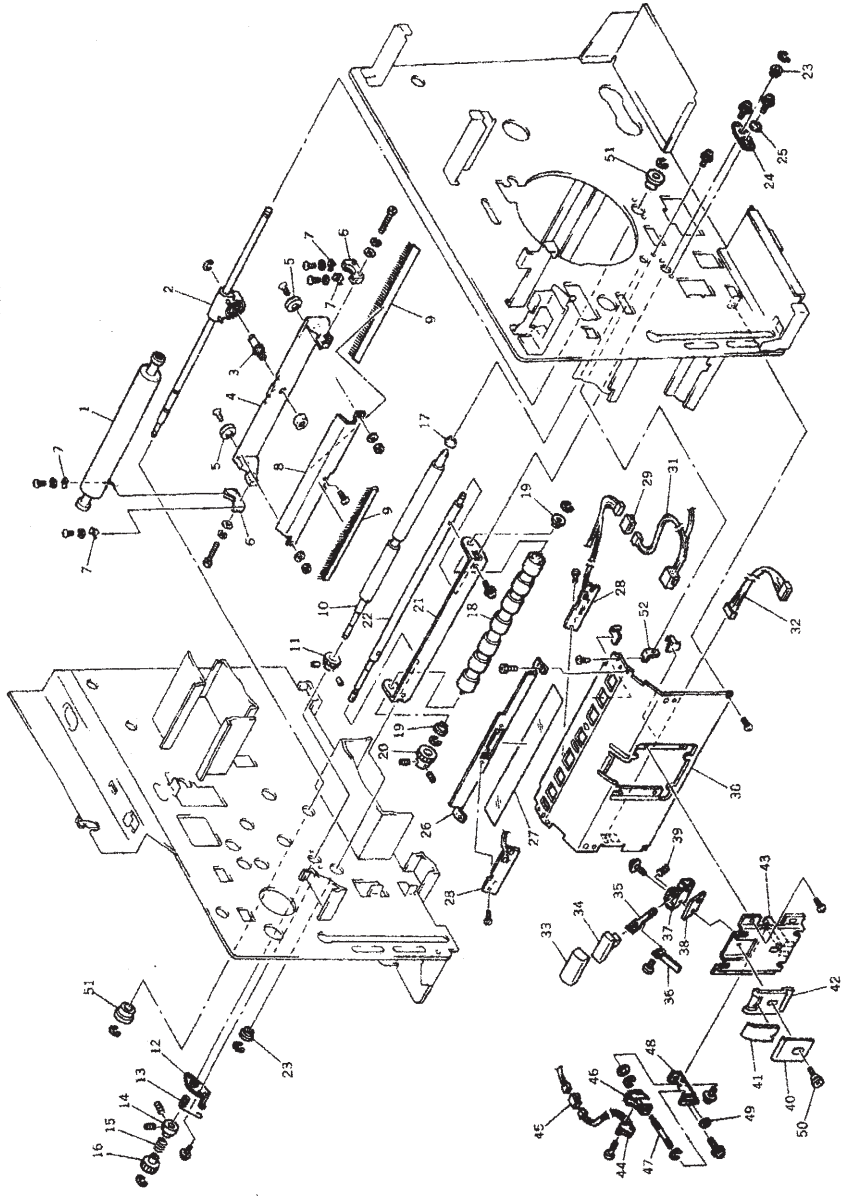
Fig. 8 DRIVE MECHANISM AREA



No.	Part No.	Part Name	Qty	Remark
	019-91211-000	Unit/Main Motor; T		
1	019-91212-007	*Main Motor Ass'y; T	1	
	011-60027-106	**Photoelectron Disc.		
	017-60031-000	**Encoder Sensor		
2	002-11220-007	*Cam; Guide Roller	1	
3	011-11240-309	*Cam; Timing Roller	1	
	019-91220-000	Unit/Drive		
4	019-11213-008	*Base Plate; P. - F. Clutch	1	
5	019-65001-006	*P. - F. Clutch	1	
6	019-11206-001	*Bracket; P. - F. Clutch	1	
7	600-08242-006	*Bearing; 62BZZ	6	
8	600-20061-009	*Bearing; 608ZZ	1	
9	011-11208-103	*Base Shaft Plate; Slide Plate	1	
10	019-11201-000	*Idler Pulley	4	
11	002-11227-001	*Spacer; Slide Plate	6	
12	019-11209-000	*Slide Plate (Base)	1	
13	002-11225-009	*Support Block; Slide Plate	2	
14	006-11224-109	*Slide Plate (Front)	1	
15	011-11231-008	*Shaft Block; Slide Plate	1	
16	011-11230-001	*Shaft; Slide Plate	1	
17	638-90616-005	*Washer; 6.1 x 12 x 1.6	2	
18	607-13000-003	*Metal; F6 x 10/9 x 4; 12 x 1.5	2	
19	019-11220-006	*Shaft Base Block; Slide Plate	1	
20	011-11232-004	*Gear; Slide Plate	1	
21	638-90616-005	*Reinforce Plate; Slide Plate	1	
22	620-78309-003	*Belt; 830-5GT-11	1	
23	002-11291-109	*Sector Gear	1	
24	011-11296-002	Spring; Sector Gear	1	
25	017-11201-102	Bracket A; Sensor	1	
26	443-30003-003	Sensor; LG-203D	1	
	019-91226-008	Main Shaft Ass'y; A4		
27	019-91228-000	*Main Pulley; Main Shaft	1	
28	017-11238-006	*Cam; Pressure Roller; A4	1	
	019-91225-001	Main Shaft Ass'y		
27	019-91228-000	*Main Pulley; Main Shaft	1	

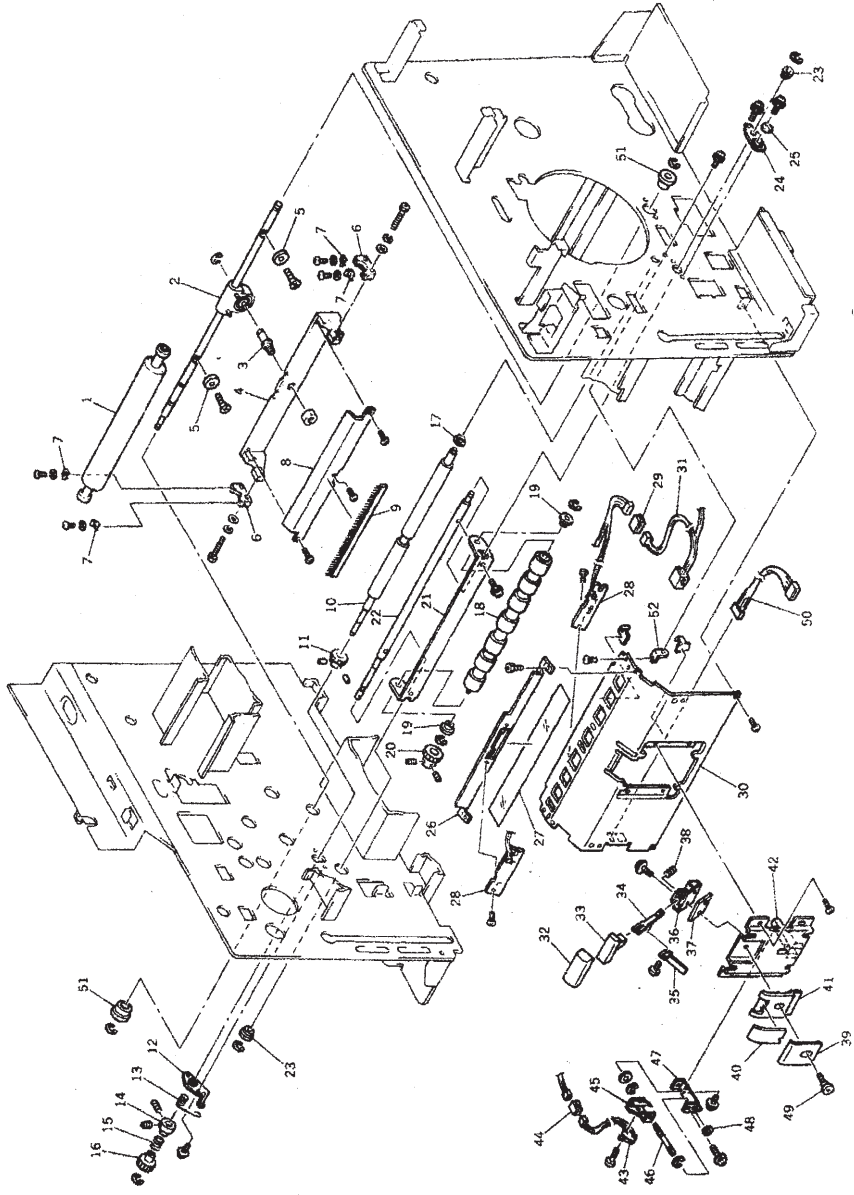
No.	Part No.	Part Name	Qty	Remark
28	017-11237-000	*Cam; Pressure Roller; B4	1	
	019-91227-004	Main Shaft Ass'y; A3		
27	019-91228-000	*Main Pulley; Main Shaft	1	A3
28	019-21201-008	*Cam; Pressure Roller; A3	1	
29	006-11216-106	Bearing House A; Main Shaft	1	
30	017-11209-103	Face Plate; Main Shaft	1	
31	443-30003-003	Sensor; LG-203D	2	
32	017-11202-001	Bracket B; Sensor	2	
33	011-11235-003	P. Disc	1	
34	017-91235-002	Face Plate; Pressure Shaft	1	
35	011-11255-004	Pressure Sensor Disc	1	
36	620-97506-006	Belt; 750-3GT-6	1	
	019-91230-005	Pressure Link Ass'y		
	017-91230-108	Pressure Link Ass'y		A3
	017-11215-006	*Pressure Link; Bottom		B4, A4, L
37	017-11214-000	*Pressure Link; Top	1	
38	019-21202-004	*Spring C; Pressure Link	1	
39	017-11226-008	*Spring B; Pressure Link	1	A3
40	017-11217-009	*Link Boss B	1	B4, A4, L
41	017-11224-005	*Link Spacer	1	
42	607-15002-003	*Metal; FB x 12 x 5; 16 x 2	2	
43	017-11216-002	*Link Boss A	1	
44	638-90804-006	*Washer; 8 x 15 x 0.4	1	
45	607-70815-005	*Washer; UH3000	1	
46	011-11245-009	*Gear; Pressure Adj. Screw	1	
47	017-11227-004	*Pressure Adj. Screw	1	
48	017-11225-001	*Spring; Pressure Link	1	
49	017-11223-009	*Linking Plate; Drive Base	1	
50	017-11234-000	*Spring; Linking Plate	1	
51	011-11276-206	*Hook Lever	1	
52	011-11270-003	*Shaft; Hook Lever	1	
53	002-11304-103	*Spring; Hook Lever	1	
54	011-11289-006	*Bracket; Hook Lever Spring	1	
55	011-11280-106	*Pressure Hook	1	
56	011-91245-004	*Pressure Solenoid Ass'y	1	

Fig. 9 ROLLER SYSTEM AREA (GR1700, GR1750, GR2710, GR2750)



No.	Part No.	Part Name	Q'ty	Remark
1	011-91420-000	Pressure Roller Ass'y; B4	1	B4
1	011-91421-007	Pressure Roller Ass'y; A4	1	A4, L
	011-91410-307	Pressure Shaft Ass'y; B4	B4	
	011-91411-109	Pressure Shaft Ass'y; A4	A4, L	
2	011-91412-008	*Pressure Shaft	1	
3	002-11405-007	*Center Shaft; Pressure	1	
4	011-11403-305	*Pressure Roller Support	1	
5	006-11312-008	*Support Collar; R3	2	
6	002-11402-008	Adjuster; Press.-Roll. Support	2	
7	002-11404-108	*Roller Holder; Pressure	4	
8	011-11409-206	*Guide Cover; Pressure; B4	1	B4
8	017-11401-004	*Guide Cover; Pressure; A4	1	A4, L
9	011-11404-204	*De-electricity Brush; B4	2	B4
9	011-41404-004	*De-electricity Brush; A4	1	A4, L
10	011-91320-103	Guide Roller Ass'y	1	
10	011-11301-103	*Guide Roller	1	
11	006-11306-008	*Gear A; Guide Roller	1	
12	002-11412-003	*Shaft Catch; Guide Roller	1	
13	002-11210-109	*Load Spring; Guide Roller	1	
14	006-11304-005	*Guide Shaft	1	
15	006-11305-109	*One-Way Spring	1	
16	006-11303-009	*Gear; Guide Roller	1	
17	600-50059-017	Bearing; FLW688ZZ	1	
17	017-91310-209	Timing Roller Ass'y	1	
18	006-11301-502	*Timing Roller	1	
19	607-13000-402	*Metal; F6 x 10/9 x 6; 12 x 1.5	2	
20	006-11307-004	*Gear B; Timing Roller	1	
21	017-11302-103	*Bracket; Timing Roller	1	
22	017-11301-107	*Shaft; Timing Roller	1	
23	607-15000-000	Metal; F8 x 13/12 x 5; 16 x 2	2	
24	000-01327-003	Adj. Plate; Guide Roller	1	
25	000-01328-000	Adj. Eccentric; Guide Roller	1	
26	017-91720-008	Unit/Guide Plate II	1	
26	017-21704-005	*Guide Plate (Upper)	1	
27	017-11706-000	*Sheet; Guide Plate	1	
28	017-60003-006	*Paper Sensor	1	
29		**Junction Connector; 6P	1	Ref.Pg.II-36
30	017-21701-103	*Guide Plate (Lower)	1	
31	017-55039-108	*Wire Harness; Guide Plate; 49	1	
32	019-55015-009	*Wire Harness J; Guide Plate	1	
33	019-91702-004	*Unit/Stripper	1	
33	019-11714-007	**Stripper Cover	1	
34	019-11713-000	**Base Plate; Stripper	1	
35	002-11544-007	**Sliding Plate; Stripper	1	
36	011-11712-006	**Actuator Plate; Stack P.-F. SW	1	
37	002-11542-004	**Housing; Stripper	1	
38	011-11720-009	**Stripper Noise Reduction Sheet	1	
39	019-11715-003	**Spring; Stripper	1	
40	019-91703-000	**Stripper Sheet Ass'y	1	
40	019-11712-101	***Cover Plate; Stripper	1	
41	019-11711-008	***Stripper Sheet	1	
42	019-11710-109	***Guide Base; Stripper	1	
43	019-11706-101	**Bracket; Stripper Unit	1	
44	017-60018-003	**Stack Paper Feeding SW	1	
45		***Junction Connector; 2P	1	Ref.Pg.II-36
46	002-11546-000	**Bracket; Stack Paper Feeding SW	1	
47	002-11549-009	**Adj. Shaft; Stripper	1	
48	002-11548-002	**Adjuster; Stripper	1	
49	002-11550-007	**Stopper Washer; Stripper	1	
50	011-11711-107	**Fulcrum Screw; Stripper	1	
51	607-17000-105	Metal; F12 x 18 x 10; 24 x 2.5	2	
52	011-11713-002	L Plate; Guide Plate	2	

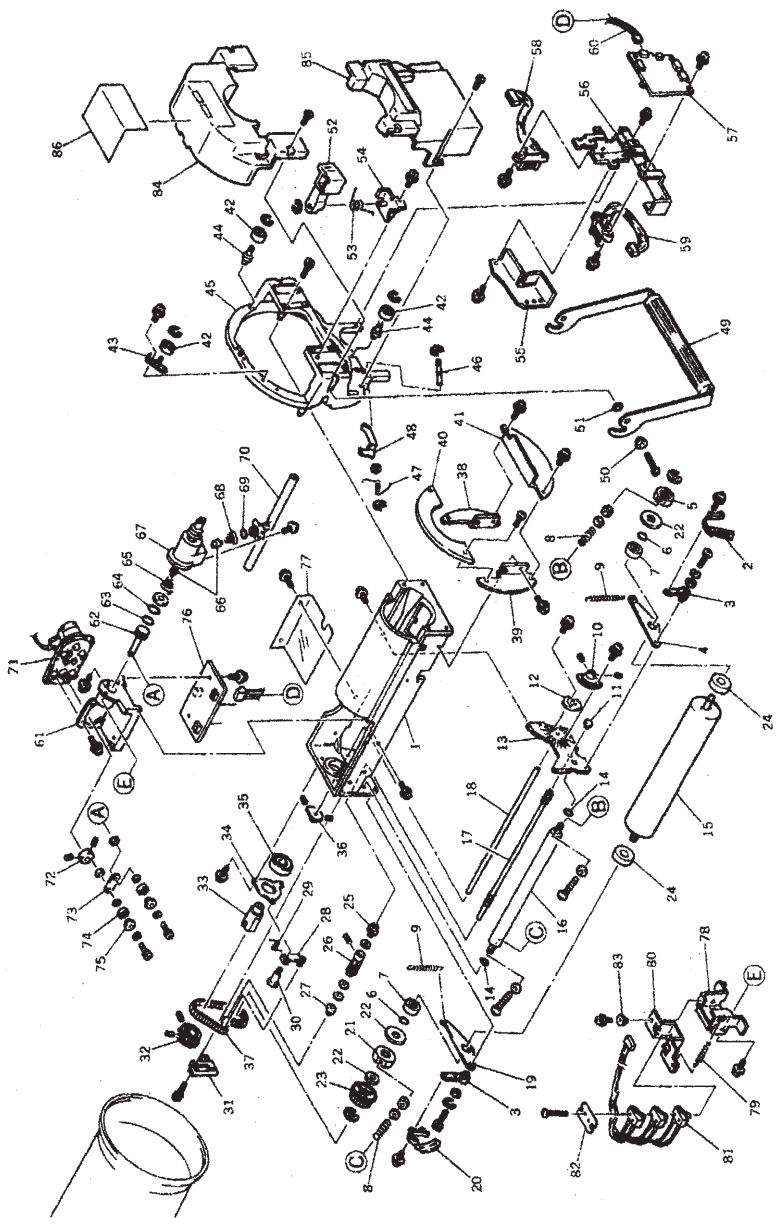
Fig. 10 ROLLER SYSTEM AREA (GR3750)



No.	Part No.	Part Name	Qty	Remark
1	014-91420-002	Pressure Roller Ass'y; A3	1	
2	014-91410-201	Pressure Shaft Ass'y; A3	1	
3	014-91412-000	*Pressure Shaft; A3	1	
4	002-11405-007	*Center Shaft; Pressure	1	
5	014-11406-101	*Pressure Roller Support; A3	1	
6	014-11410-001	*Support Collar; A3	2	
7	002-11402-008	*Adjuster; Press-Roll. Support	2	
8	014-11404-108	*Roller Holder; Pressure	4	
9	014-11404-206	*Guide Cover; Pressure; A3	1	
10	014-91320-008	Guide Roller Ass'y; A3	1	
11	006-11306-008	*Gear A; Guide Roller	1	
12	002-11412-003	*Shaft Catch; Guide Roller	1	
13	002-11210-109	*Load Spring; Guide Roller	1	
14	006-11304-005	*Guide Shaft	1	
15	006-11305-108	*One-Way Spring	1	
16	006-11303-009	*Gear; Guide Roller	1	
17	600-50059-017	Bearing; FLW688ZZ	1	
18	014-1303-108	Timing Roller Ass'y; A3	1	
19	607-13000-402	*Metal; FS x 10/9 x 6; 12 x 1.5	2	
20	006-11307-004	*Gear B; Timing Roller	1	
21	019-21302-009	*Bracket; Timing Roller	1	
22	019-21301-002	*Shaft; Timing Roller	1	
23	607-15000-000	Metal; FB x 13/12 x 5; 16 x 2	2	
24	000-01327-003	Adj. Plate; Guide Roller	1	
25	000-01328-000	Adj. Eccentric; Guide Roller	1	
26	019-91700-001	Unit/Guide Plate; A3	1	
27	017-11706-000	*Sheet; Guide Plate	1	
28	017-60003-006	*Paper Sensor	1	
29		** Junction Connector; 6P	1	Ref.Pg.II-36
30	019-21701-108	*Guide Plate (Upper)	1	
31	017-55039-108	*Wire Harness; Guide Plate; 49	1	

No.	Part No.	Part Name	Qty	Remark
	019-91702-004	*Unit/Stripper		
32	019-11714-007	**Stripper Cover	1	
33	019-11713-000	**Base Plate; Stripper	1	
34	002-11544-007	**Sliding Plate; Stripper	1	
35	011-11712-006	**Actuator Plate; Stack P.-F. SW	1	
36	002-11542-004	**Housing; Stripper	1	
37	011-11720-009	**Stripper Noise Reduction Sheet	1	
38	019-11715-003	**Spring; Stripper	1	
39	019-91703-000	**Cover Plate; Ass'y	1	
40	019-11712-101	**Stripper Sheet	1	
41	019-11710-109	**Guide Base; Stripper	1	
42	019-11706-101	**Bracket; Stripper Unit	1	
43	017-60018-003	**Stack Paper Feeding SW	1	
44		** Junction Connector; 2P	1	Ref.Pg.II-36
45	002-11546-000	**Bracket; Stack Paper Feeding SW	1	
46	002-11549-009	**Adj. Shaft; Stripper	1	
47	002-11548-002	**Adjuster; Stripper	1	
48	002-11550-007	**Stopper Washer; Stripper	1	
49	011-11711-107	**Fulcrum Screw; Stripper	1	
50	019-55015-000	*Wire Harness J; Guide Plate	1	
51	607-17000-105	Metal; F12 x 18 x 10; 24 x 2.5	2	
52	011-11713-002	L Plate; Guide Plate	2	

Fig. 11 SQUEEGEE-INK PUMP UNIT AREA (GR1700, GR1750, GR2710, GR2750)



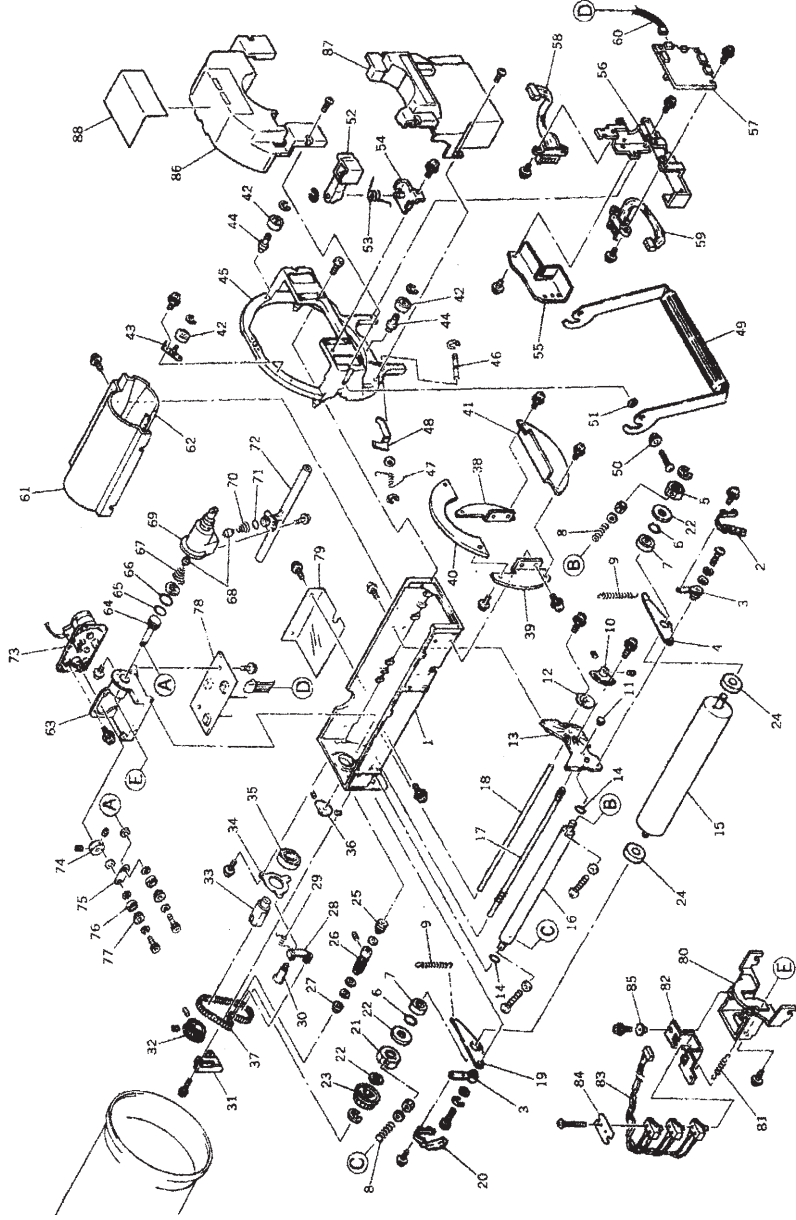
No.	Part No.	Part Name	Q'ty	Remark
1	017-92231-000	Unit/Squegee III; OW		
2	017-12101-403	*Squegee Stay; OW	1	
3	000-02254-506	*Ink Blocking Plate (Front)	1	
4	019-12206-005	*Adj. Boss; Ink Blocking	2	
5	014-12227-103	*Adj. Plate (Front); Squegee	1	
6	640-60080-001	*Reverse Rotation Stopper; All	1	
7	601-10192-005	*O Ring; P8-1.9	2	
8	000-02211-009	*Bearing; 6800ZZ	2	
9	002-12234-001	*Spring; Squegee Gap	2	
10	002-12213-101	*Spring; Adj. Plate (Front)	2	
11	002-12240-001	*Sector Adjustor; Squegee	1	
12	002-12209-007	*Shaft Catch; Drive; Squegee	1	
13	017-12105-204	*Adj. Collar A; Squegee	1	
14	640-60140-012	*Side Frame; Squegee; OW	1	
15	017-12111-409	*O Ring; P14-2.4	2	
16	017-12114-203	*Squegee Roller; OW	1	
17	017-12121-005	*Doctor Roller II; OW	1	
18	017-12123-008	*Drive Shaft; Squegee; OW	1	
19	019-12207-001	*Adj. Shaft; Squegee; OW	1	
20	000-02255-502	*Adj. Plate (Back); Squegee	1	
21	017-12115-005	*Ink Blocking Plate (Back)	1	
22	638-90000-020	*Reverse Rotation Stopper B	1	
23	011-12205-000	*Washer; 18 x 10.2 x 0.2	3	
24	019-12208-008	*Pulley; Squegee Roller	1	
25	640-70030-100	*Spacer; 18 x 10 x 1.8	2	
26	002-12238-104	*V Ring; VRY2.7 x 3.5 x 4.1	1	
27	607-10000-010	*Axis; Drive Shaft; Squegee	1	
28	002-12229-105	*Metal; F3 x 5 x 3; 8 x 1.4	1	
29	002-12233-005	*Tensioner; Squegee	1	
30	011-12221-006	*Spring; Tensioner; Squegee	1	
31	017-12122-001	*Fulcrum; Tensioner; Squegee	1	
32	017-12124-209	*Shaft Support; Squegee	1	
33	002-12223-107	*Ass'y; Shaft Joint	1	
		**Pulley; Main Shaft	1	
		**Shaft Joint	1	

No.	Part No.	Part Name	Q'ty	Remark
34		**Bearing Holder A; Squegee	1	
35		**Bearing; 6202ZZ	1	
36	002-12210-005	*Adj. Collar B; Squegee	1	
37	620-21209-002	*Squegee Belt; B120M x L-9.5	1	
38	011-12222-304	Bracket R; Drum Cover F	1	
39	011-12223-300	Bracket L; Drum Cover F	1	
40	011-12213-100	Drum Cover F (Upper)	1	
41	011-12220-204	Drum Cover F (Lower)	1	
42	017-92300-002	Unit/Drum Frame	1	
43	000-01169-106	*Support Roller; Drum	3	
44	002-12410-004	*Adj. Plate; Support Roller	1	
45	002-12409-103	*Support Shaft; Support Roller	2	
46	017-12201-300	*Frame; Drum	1	
47	002-12414-000	*Shaft; Locking Plate; Drum	1	
48	019-12307-006	*Spring; Locking Plate; Drum	1	
49	017-12207-007	*Locking Plate; Drum	1	
50	017-12216-103	*Drum Lever	1	
51	002-12418-102	*Boss A; Drum Lever	2	
52	014-12295-001	*Spacer; Drum Lever	2	
53	014-12297-004	Lever; Bottle Stopper	1	
54	017-12211-004	Spring; Stopper Lever	1	
55	017-12213-007	Bracket; Stopper Lever	1	
56	017-12231-001	Inner Cover; Drum	1	
57	019-51005-009	Bracket II; Drum Control PCB2	1	
58	017-55028-106	Drum Control PCB2	1	
59	019-55029-005	Wire Harness; Drum (R)	1	
60	019-55010-104	Wire Harness; Drum (L)	1	
61	017-92220-009	Unit/Ink Pump	1	
62	002-12303-305	*Bracket; Inking Motor	1	
63	640-60140-012	*Piston Inking Pump	1	
64	640-60220-024	*O Ring; P14-2.4	1	
65	000-07119-100	*O Ring; P22-2.4	1	
66	011-12151-008	*Coil Spring; Inking Pump	1	
		*Valve; Inking Pump	2	

No.	Part No.	Part Name	Q'ty	Remark	No.	Part No.	Part Name	Q'ty	Remark
67	011-12201-200	*Inking Pump Body	1						
68	011-12147-108	*Coil Spring; Inking Pump; RC	1						
69	640-60100-118	*O Ring; P10A-2.4	1						
70	011-12153-000	*Ink Distributor II	1						
71	017-65016-300	*Inking Motor	1						
72	002-12307-203	*Linking Disc; Inking Pump	1						
73	002-12308-013	*Linking Plate; Inking Pump	1						
74	002-12309-001	*Collar; Inking Pump	2						
75	002-12310-107	*Collar Holder; Inking Pump	2						
76	017-60020-300	Drum PCB	1						
	484-00000-800	*Pilot Lamp	1						
77	017-12215-000	PCB Cover; Drum	1						
78	017-22208-009	Bracket; Bottle SW	1						
79	019-12211-009	Spring; Bottle SW	1						
	019-92230-009	Bottle Set SW Ass'y							
80	019-12209-004	*Holder; Bottle SW	1						
81	019-60010-104	*Bottle Set SW	1						
82	019-12210-002	*Set Plate; Bottle SW	1						
83	011-12218-005	Boss; Bottle Set SW	1						
84	019-12302-101	Drum Cover (Upper)	1						
85	019-12303-108	Drum Cover (Lower)	1						
86	550-20981-104	Seal; Ink (Black)	1						
86	550-20982-003	Seal; Ink (Black); Pic.	1						
	017-92330-009	Color Seal Set							
		*Seal; Ink (Blue)	1						
		*Seal; Ink (Red)	1						
		*Seal; Ink (Yellow)	1						
		*Seal; Ink (Brown)	1						
		*Seal; Ink (Green)	1						
	017-92332-001	Color Seal Set N							
		*Seal; Ink (Marine Red)	1						
		*Seal; Ink (Bright Red)	1						
		*Seal; Ink (Purple)	1						
		*Seal; Ink (Federal Blue)	1						
		*Seal; Ink (Medium Blue)	1						

MEMO

Fig. 12 SQUEEGEE-INK PUMP UNIT AREA (GR3750)

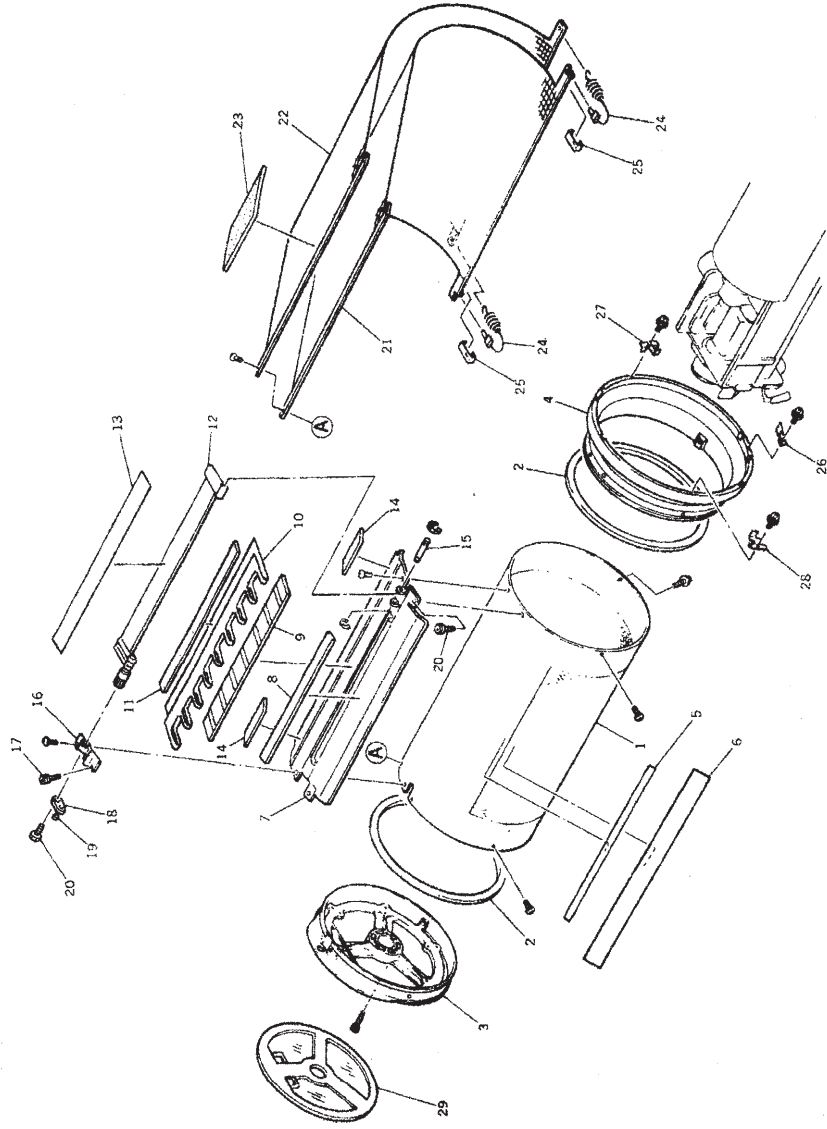


No.	Part No.	Part Name	Q'ty	Remark
1	019-92200-002	Unit/Squeegee; A3	1	
2	014-12201-104	*Squeegee Stay; A3	1	
3	000-02254-806	*Ink Blocking Plate (Front)	1	
4	002-12219-002	*Adj. Boss; Ink Blocking	2	
5	019-12206-005	*Adj. Plate (Front); Squeegee	1	
6	014-12227-103	*Reverse Rotation Stopper AII	1	
7	640-60080-001	*O Ring; P8-1.9	2	
8	601-10192-005	*Bearing; 6900ZZ	2	
9	000-02211-009	*Spring; Squeegee Gap	2	
10	002-12234-001	*Spring; Adj. Plate (Front)	2	
11	002-12213-101	*Sector Adjustor; Squeegee	1	
12	002-12240-001	*Shaft Catch; Drive; Squeegee	1	
13	002-12209-007	*Adj. Collar A; Squeegee	1	
14	011-12211-302	*Side Frame; Squeegee	1	
15	640-60140-012	*O Ring; P14-2.4	2	
16	014-12221-407	*Squeegee Roller; A3	1	
17	014-12226-000	*Doctor Roller II; A3	1	
18	014-12252-000	*Drive Shaft; Squeegee; A3	1	
19	014-12251-004	*Adj. Shaft; Squeegee; A3	1	
20	019-12207-001	*Adj. Plate (Back); Squeegee	1	
21	000-02255-502	*Ink Blocking Plate (Back)	1	
22	638-90000-020	*Reverse Rotation Stopper B	1	
23	638-90000-020	*Washer; 18 x 10.2 x 0.2	3	
24	011-12205-000	*Pulley; Squeegee Roller	1	
25	019-12208-008	*Spacer; 18 x 10 x 1.8	2	
26	640-70030-100	*V Ring; VRY2.7 x 3.5 x 4.1	1	
27	602-12238-104	*Axis; Drive Shaft; Squeegee	1	
28	607-10000-010	*Metal; F9 x 5 x 3; 8 x 1.4	1	
29	002-12229-105	*Tensioner; Squeegee	1	
30	002-12233-005	*Spring; Tensioner; Squeegee	1	
31	011-12221-006	*Fulcrum; Tensioner; Squeegee	1	
32	011-12241-007	*Shaft Support II; Squeegee	1	
33	011-12206-201	*Ass'y; Shaft Joint	1	
34	002-12223-107	**Pulley; Main Shaft	1	
35	002-12223-107	**Shaft Joint	1	
36	002-12210-005	**Bearing Holder A; Squeegee	1	
37	620-21209-002	*Adj. Collar B; Squeegee	1	
38	011-12222-304	*Squeegee Belt; B120M x L-9.5	1	
39	011-12223-300	Bracket L; Drum Cover F	1	
40	011-12213-100	Drum Cover F (Upper)	1	
41	011-12220-204	Drum Cover F (Lower)	1	
42	000-01169-106	Unit/Drum Frame	3	
43	002-12410-004	*Support Roller; Drum	1	
44	002-12409-103	*Adj. Plate; Support Roller	2	
45	017-12201-300	*Support Shaft; Support Roller	1	
46	002-12414-000	*Frame; Drum	1	
47	019-12307-006	*Shaft; Locking Plate; Drum	1	
48	017-12207-007	*Spring; Locking Plate; Drum	1	
49	017-12216-103	*Locking Plate; Drum	1	
50	002-12407-003	*Drum Lever	1	
51	002-12418-102	*Boss A; Drum Lever	2	
52	014-12295-001	*Spacer; Drum Lever	2	
53	014-12297-004	Lever; Bottle Stopper	1	
54	017-12211-004	Spring; Stopper Lever	1	
55	017-12213-007	Bracket; Stopper Lever	1	
56	017-22301-001	Inner Cover; Drum	1	
57	019-51005-009	Bracket II; Drum Control PCB2	1	
58	017-55028-106	Drum Control PCB2	1	
59	017-55029-005	Wire Harness; Drum (R)	1	
60	019-55010-104	Wire Harness; Drum (L)	1	
61	014-12216-101	Wire Harness; Drum Inner	1	
62	011-12208-000	Bottle Guide II Assy	1	
63	019-92220-003	*Bottle Guide (Over)	1	
64	002-12303-305	Unit/Ink Pump; A3	1	
65	002-12304-107	*Bracket; Inking Motor	1	
66	640-60140-012	*Piston Inking Pump	1	
67	017-12216-103	*O Ring; P14-2.4	1	

No.	Part No.	Part Name	Q'ty	Remark	No.	Part No.	Part Name	Q'ty	Remark
66	640-60220-024	*O Ring; P22-2.4	1				*Seal; Ink (Purple)	1	
67	000-07119-100	*Coil Spring; Inking Pump	1				*Seal; Ink (Federal Blue)	1	
68	011-12151-008	*Valve; Inking Pump	2				*Seal; Ink (Medium Blue)	1	
69	014-12211-002	*Inking Pump Body; A3	1						
70	011-12147-108	*Coil Spring; Inking Pump; RC	1						
71	640-60100-118	*O Ring; P10A-2.4	1						
72	014-12213-005	*Ink Distributor; A3	1						
73	017-65016-300	*Inking Motor	1						
74	002-12307-203	*Linking Disc; Inking Pump	1						
75	002-12308-013	*Linking Plate; Inking Pump	1						
76	002-12309-001	*Collar; Inking Pump	2						
77	002-12310-107	*Collar Holder; Inking Pump	2						
78	017-60020-300	Drum PCB	1						
	484-00000-800	*Pilot Lamp	1						
79	017-12215-000	PCB Cover; Drum	1						
80	019-22203-004	Bracket; Bottle SW	1						
81	019-12211-009	Spring; Bottle SW	1						
	019-92230-009	Bottle Set SW Ass'y							
82	019-12209-004	*Holder; Bottle SW	1						
83	019-60010-104	*Bottle Set SW	1						
84	019-12210-002	*Set Plate; Bottle SW	1						
85	011-12218-005	Boss; Bottle Set SW	1						
86	019-12302-101	Drum Cover (Upper)	1						
87	019-12303-108	Drum Cover (Lower)	1						
88	550-20981-104	Seal; Ink (Black)	1						
88	550-20982-003	Seal; Ink (Black); Pic.	1						
	017-92330-009	Color Seal Set							
		*Seal; Ink (Blue)	1						
		*Seal; Ink (Red)	1						
		*Seal; Ink (Yellow)	1						
		*Seal; Ink (Brown)	1						
		*Seal; Ink (Green)	1						
	017-92332-001	Color Seal Set N							
		*Seal; Ink (Marine Red)	1						
		*Seal; Ink (Bright Red)	1						

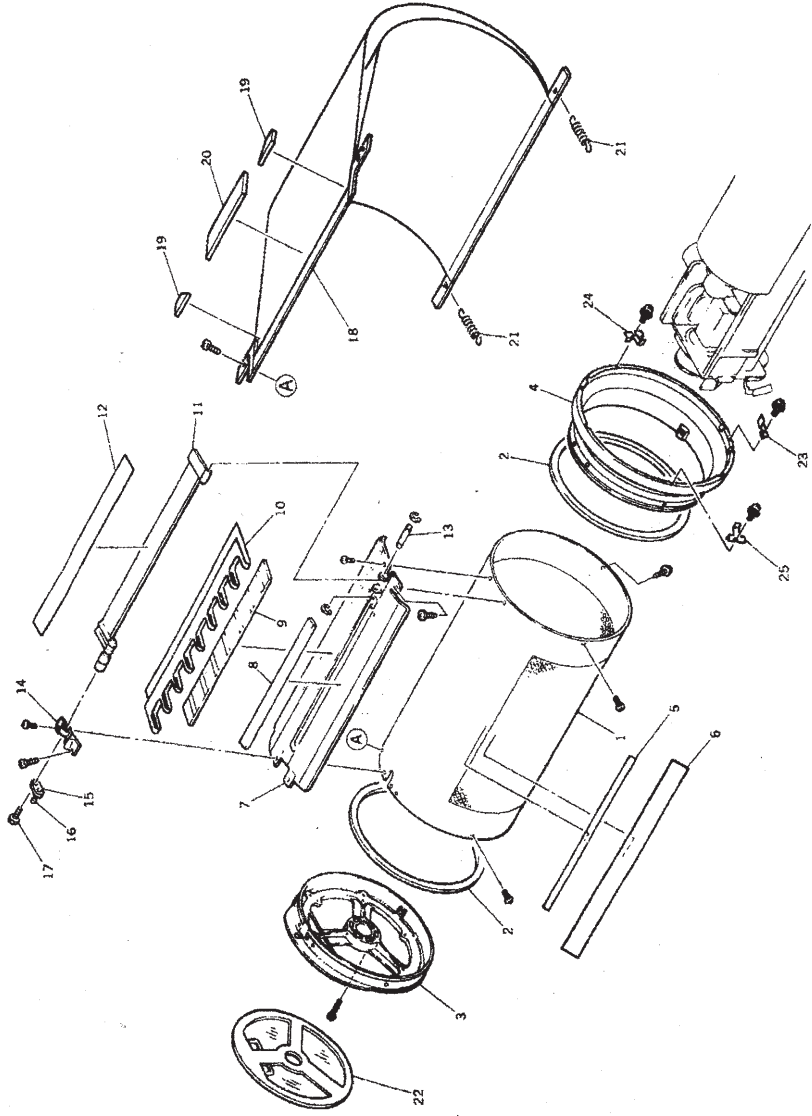
MEMO

Fig. 13 DRUM-SCREEN AREA (GR1700, GR1750, GR2710, GR2750)



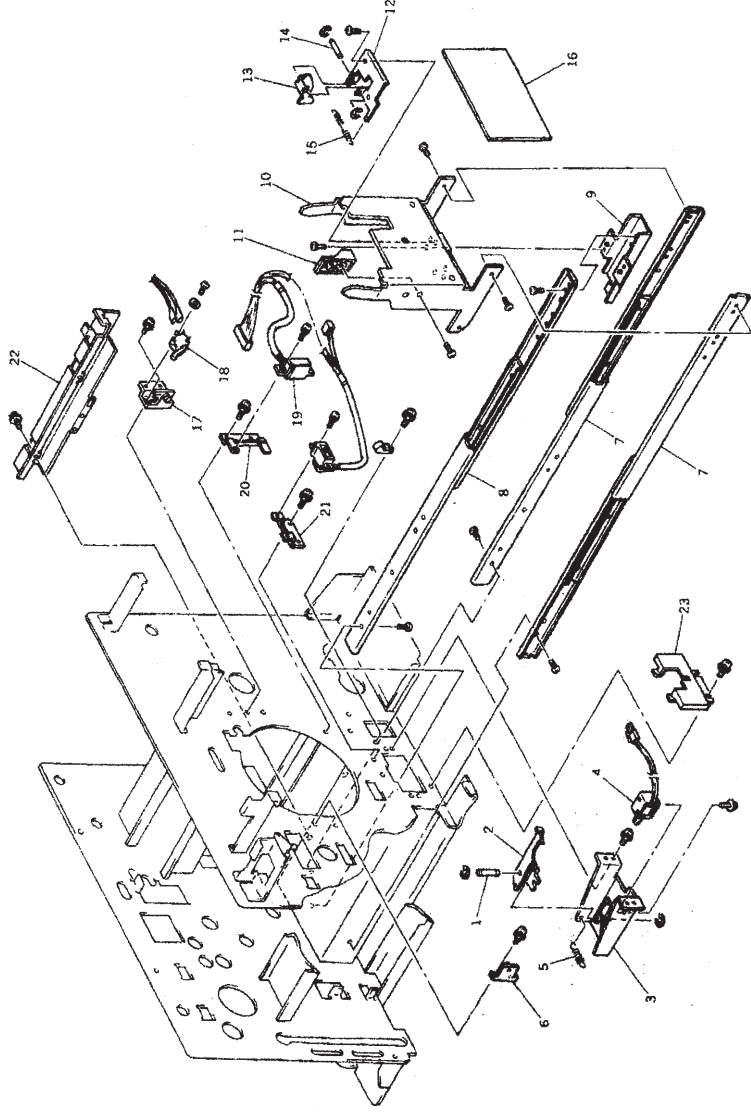
No.	Part No.	Part Name	Qty	Remark	No.	Part No.	Part Name	Qty	Remark
	017-92108-004	Unit/Drum Screen; B4			26	017-12205-101	Position A Plate	1	
	017-92117-003	Unit/Drum Screen; US	L		27	017-12206-000	Position C2 Plate	1	
	017-92118-000	Unit/Drum Screen; A4			28	017-12220-003	Position C1 Plate	1	
	017-92120-004	*Drum Body Ass'y; B4	1	L	29	011-12116-202	Drum Cover R	1	
	017-92121-000	*Drum Body Ass'y; US	1						
	017-92122-007	*Drum Body Ass'y; A4	1	B4					
1	017-12010-009	**Drum Body; OW	1	L					
1	017-12006-001	**Drum Body; 100US	1	L					
1	017-12004-009	**Drum Body; A4	1						
2	011-12139-008	**Drum Seal	2						
3	017-12011-005	**Drum Body Support (Left); OW	1						
4	017-12001-107	**Drum Body Support (Right)	1						
5	011-12104-000	*Seal; Tape	1						
6	011-12140-006	*Ink Blocking Sheet; B4	1	B4, L					
6	011-12142-009	*Ink Blocking Sheet; A4	1	A4					
7	011-12120-200	*Clamp Plate Base	1						
8	011-12130-000	*Clamp Magnet B	1						
9	002-12110-019	*Clamp Magnet A; B4	1						
10	011-12132-500	*Sheet; Clamp Plate	1						
11	002-12134-104	*Sticker Sheet; Drum	1						
12	011-12110-506	*Clamp Plate Ass'y	1						
13	011-12129-100	*Clamp Sub-Plate	1						
14	011-12134-006	*Sheet; Drum; B4	2						
15	011-12114-005	*Shaft; Clamp Plate	1						
16	011-12124-108	*Compensator	1						
17	011-12141-100	*Screw; Spring Hanger	2						
18	011-12154-104	*Ass'y; Angular Magnet Plate	1						
19	660-05500-100	**Plate II; Angular Magnet	1						
20	011-12155-003	*Screw; TDK REC 18 D5 x 2	1						
21	011-12105-200	*Screen A	1						
22	011-12107-009	*Screen B	1						
23	017-22107-108	*Light Absorber Strip; B4	1						
24	011-12136-009	*Spring; Screen	2						
25	011-12131-007	*Hanger Plate	2						

Fig. 14 DRUM-SCREEN AREA (GR3750)



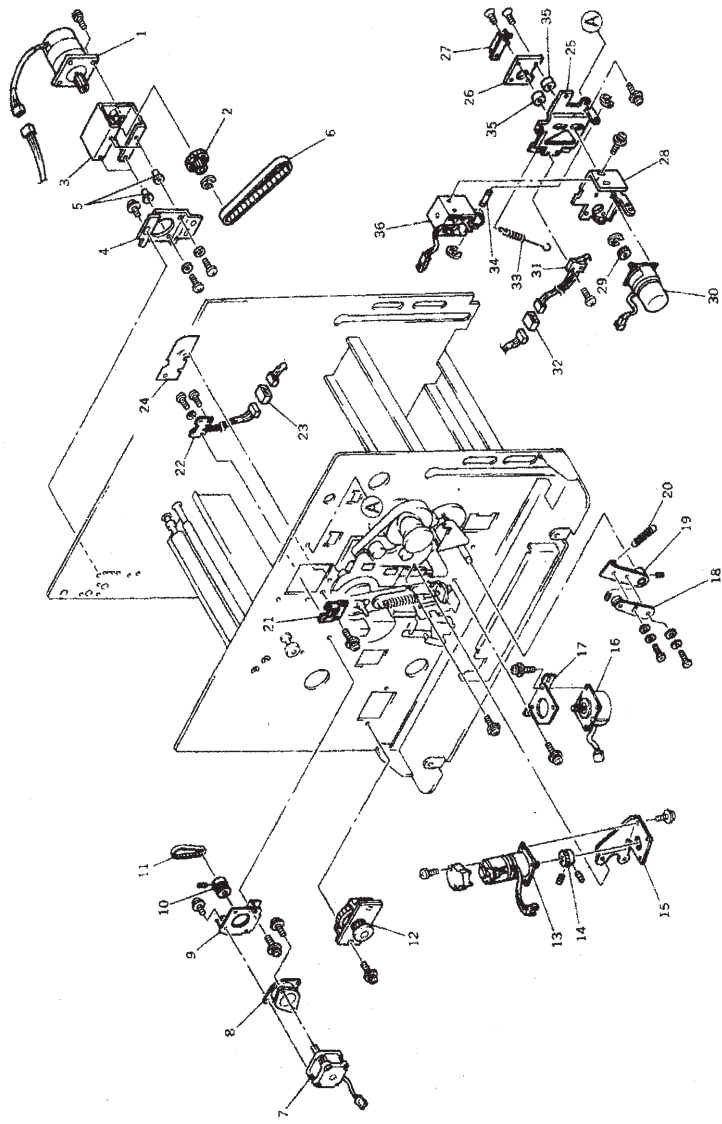
No.	Part No.	Part Name	Q'ty	Remark	No.	Part No.	Part Name	Q'ty	Remark
	019-92105-000	Unit/Drum Screen; A3							
1	019-92110-003	*Drum Body Ass'y; A3	1						
2	014-12101-002	**Drum Body; A3	1						
3	011-12139-008	**Drum Seal	2						
4	014-12103-005	**Drum Body Support (Left); A3	1						
5	014-12114-007	**Drum Body Support (Right); A3	1						
6	014-12114-007	*Seal Tape; A3	1						
7	014-12116-204	*Ink Blocking Sheet; A3	1						
8	019-22108-001	*Clamp Plate Base	1						
9	011-12130-000	*Clamp Magnet B	1						
10	019-22111-002	*Clamp Magnet A; A3	1						
11	014-12121-402	*Sheet; Clamp Plate; A3	1						
12	014-12104-109	*Clamp Plate Ass'y	1						
13	014-12115-003	*Clamp Sub-Plate	1						
14	011-12114-005	*Shaft; Clamp Plate	1						
15	011-12124-108	*Compensator	1						
16	011-92106-008	*Ass'y; Angular Magnet Plate							
17	011-12154-104	**Plate II; Angular Magnet	1						
18	660-05600-100	**Magnet TDK REC 18 D5 x 2	1						
19	011-12155-100	**Screw; Angular Magnet	1						
20	019-22113-102	*Screen Ass'y; A3	1						
21	019-22112-106	*Anti-Wrinkle Strip; Drum	1						
22	019-22107-005	*Light Absorber Strip; A3	1						
23	011-12116-202	*Spring; Screen	2						
24	017-12205-101	Drum Cover R	1						
25	017-12206-000	Position A Plate	1						
		Position C2 Plate	1						
		Position C1 Plate	1						

Fig. 15 LOCK LEVER AREA



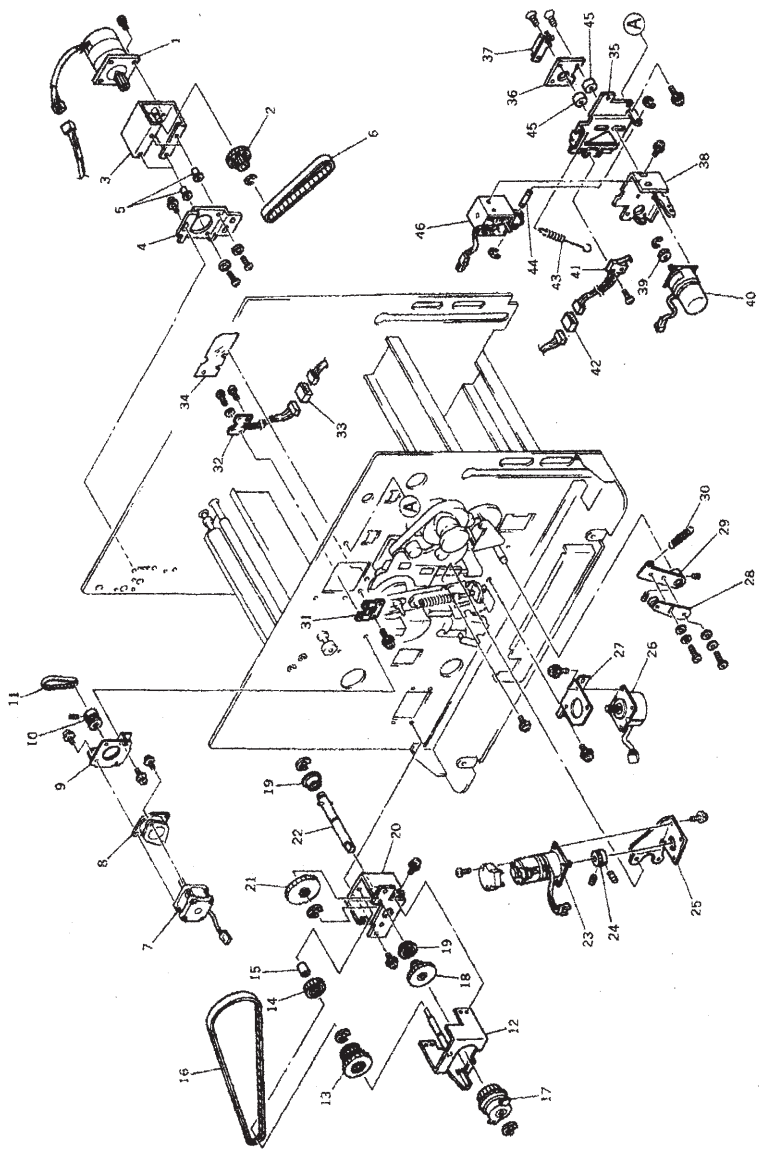
No.	Part No.	Part Name	Qty	Remark	No.	Part No.	Part Name	Qty	Remark
1	014-92350-008	Unit/Drum Lock							
1	014-12311-007	*Shaft; Lock	1						
2	014-12312-100	*Lock Hook; Drum Lock	1						
3	014-12315-100	*Bracket; Drum Lock	1						
4	011-65005-100	*Lock Solenoid	1						
5	014-12318-001	*Spring; Lock	1						
6	011-12311-005	Drum Catch (L)	1						
7	014-12301-109	Rail; Drum; A3	2	A3					
7	011-12306-109	Rail; Drum	2	B4, A4, L					
8	019-12301-008	Rail B; Drum	1						
9	014-12310-108	Rail Bracket; Drum	1						
10	019-92100-105	Drum Holder; Ass'y	1						
11	019-12304-007	*Guide Block; Drum Holder	1						
12	017-12605-100	*Lever Base; Drum Holder	1						
13	017-12604-103	*Lever; Drum Holder	1						
14	017-12606-009	*Shaft; Drum Holder	1						
15	017-12607-005	*Spring; Drum Holder	1						
16	550-20983-000	Seal; Drum Holder	1						
16	550-20984-006	Seal; Drum Holder; Plc.	1						
17	019-92320-008	Drum Set SW Ass'y	1						
17	019-12306-002	*Drum Catch (R) II	1						
18	443-00120-609	*Micro-SW; E21-91N	1						
19	019-55028-003	Wire Harness; CN15	1						
20	011-12304-009	Bracket A; Connector; Drum	1						
21	017-12203-001	Bracket B; Connector; Drum	1						
22	017-21108-208	Bracket; Wire Harness	1						
23	014-17203-008	Cover; Drum Lock	1						

Fig. 16 CLAMP-PRESSURE CONTROL AREA (GR1700)



No.	Part No.	Part Name	Q'ty	Remark
1	019-95040-103	Unit/Write Pulse Motor	1	
2	019-65002-002	*Write Pulse Motor	1	
3	011-15018-007	*Pulley; Write Pulse Motor	1	
4	011-15146-102	*Bracket; Write Pulse Motor	1	
5	019-15125-006	*Base Plate; Write Pulse Motor	1	
6	665-04950-205	*Nut; E-632	4	
7	620-21429-002	Belt; B142M x L-9.5	1	
8	017-95050-007	Unit/Loading Pulse Motor	1	
9	017-65015-002	*Loading Pulse Motor	1	
10	014-15155-006	*Mount; Loading Pulse Motor	1	
11	011-15037-109	*Bracket; Loading Pulse Motor	1	
12	009-35214-009	*Pulley PM (16); Exit Roller	1	
13	620-20714-005	Belt; B71M x L4.8	1	
14	011-91230-007	Unit/Drive Gear; Transfer Belt	1	
15	017-91266-005	Pressure Control Motor Ass'y	1	
16	017-65005-309	*Pressure Control Motor	1	
17	011-11244-002	*Gear; Pressure Control Motor	1	
18	017-11229-007	*Bracket; Pressure Control Motor	1	
19	017-91240-103	Unit/Print Positioning Motor	1	
20	017-11240-000	*Print Positioning Motor	1	
21	006-91440-001	*Bracket; Print Positioning Motor	1	
22	019-11214-004	*Unit/Adj. Plate; Timing Lever	1	
23	002-11421-002	*Adj. Plate; Timing Lever	1	
24	006-11308-000	*Timing Lever	1	
25	006-11311-109	Spring; Timing Lever; R3	1	
26	017-93220-002	Angular Sensor Ass'y	1	
27	017-12409-009	*Bracket; Angular Sensors	1	
28	017-60016-000	*Angular Sensor	1	
29	002-12637-209	** Junction Connector; 4P	1	Ref.Pg.II-36
30	017-92400-007	Protection Sheet	1	
31	014-12401-006	Unit/Clamp	1	
32	014-12405-107	*Base Plate; Clamp Solenoid	1	
33	011-12405-107	*Bracket; Compensator Plate	1	
34	011-12409-200	*Compensator Plate	1	
35	014-12402-207	*Bracket; Clamp Solenoid	1	

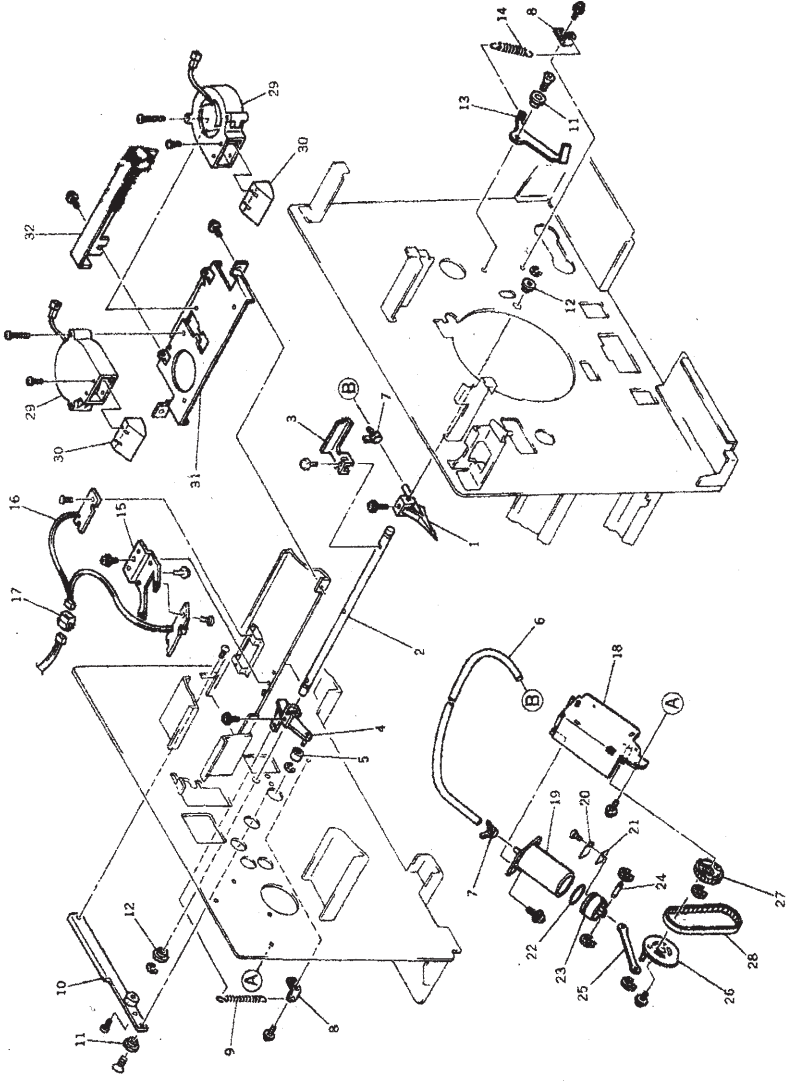
Fig. 17 CLAMP-PRESSURE CONTROL AREA (GR1750, GR2710, GR2750, GR3750)



No.	Part No.	Part Name	Q'ty	Remark
27	019-11214-004	*Bracket; Print Positioning Motor	1	
	006-91440-001	Unit/Adj. Plate; Timing Lever		
28	002-11421-002	*Adj. Plate; Timing Lever	1	
29	006-11308-000	*Timing Lever	1	
30	006-11311-109	Spring; Timing Lever; R3	1	
31	017-93220-002	Angular Sensor Ass'y	1	
32	017-12409-009	*Bracket; Angular Sensors	1	
33	017-60016-000	*Angular Sensor	1	Ref.Pg.II-36
34	002-12537-209	**Junction Connector; 4P	1	
	017-92400-007	Unit/Clamp		
35	014-12401-006	*Base Plate; Clamp Solenoid	1	
36	011-12405-107	*Bracket; Compensator Plate	1	
37	011-12409-200	*Compensator Plate	1	
38	014-12402-207	*Bracket; Clamp Solenoid	1	
39	011-12411-000	*Gear; Clamp Motor	1	
40	017-65004-205	*Clamp Motor	1	
41	017-60011-009	*Clamp Safety Switch	1	
42		**Junction Connector; 2P	1	Ref.Pg.II-36
43	011-12402-108	*Spring; Clamp Solenoid	1	
44	011-12410-003	*Plunger Pin; Clamp Solenoid	1	
45	011-12412-006	*Spacer; Compensator Plate	2	
46	011-65004-309	*Clamp Solenoid	1	

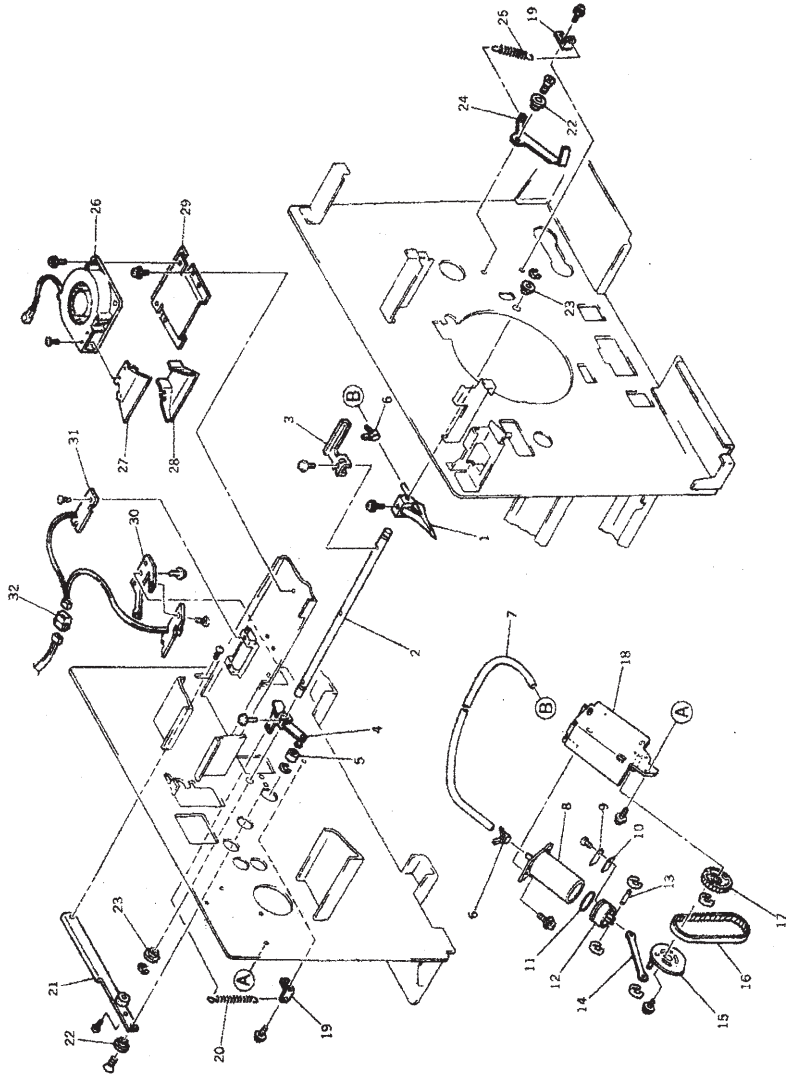
No.	Part No.	Part Name	Q'ty	Remark
	019-96040-103	Unit/Write Pulse Motor		
1	019-65002-002	*Write Pulse Motor	1	
2	011-15018-007	*Pulley; Write Pulse Motor	1	
3	011-15146-102	*Bracket; Write Pulse Motor	1	
4	019-15125-006	*Base Plate; Write Pulse Motor	1	
5	665-04950-205	*Nut; E-632	4	
6	620-21429-002	Belt; B142 M x L-9.5	1	
7	017-95050-007	Unit/Loading Pulse Motor	1	
8	017-65015-002	*Loading Pulse Motor	1	
9	014-15155-006	*Mount; Loading Pulse Motor	1	
10	009-35214-009	*Bracket; Loading Pulse Motor	1	
11	009-35214-009	*Pulley PM (16); Exit Roller	1	
	620-20714-005	Belt; B71M x L4.8		A3
	019-93602-104	Unit/Clutch; A3		B4, A4, L
	017-93602-100	Unit/Clutch		A3
12	019-23605-408	*Clutch Cover; A3	1	B4, A4, L
13	019-13601-102	*Clutch Cover	1	B4, A4, L
14	019-13601-102	*Gear A; Clutch	1	
15	019-13604-004	*Idler Gear; Clutch	1	
16	620-97506-006	*Collar; ϕ 5.1 x 2.5	1	
17	019-65007-101	*Suction Clutch	1	
18	019-13602-001	*Gear B; Clutch	1	
19	600-08168-108	*Bearing; SC86ZZNR/1K	2	
20	019-23601-208	*Bracket; Suction Drive; A3	1	A3
21	017-23601-203	*Bracket; Suction Drive	1	B4, A4, L
22	019-13603-105	*Drive Gear; Clutch	1	
23	019-23604-202	*Shaft; Clutch; A3	1	A3
24	017-23604-202	*Shaft; Clutch	1	B4, A4, L
25	017-91266-005	Pressure Control Motor Ass'y	1	
26	017-65005-309	*Pressure Control Motor	1	
27	011-11244-002	*Gear; Pressure Control Motor	1	
28	017-11229-007	*Bracket; Pressure Control Motor	1	
29	017-91240-103	Unit/Print Positioning Motor	1	
30	017-11240-000	*Print Positioning Motor	1	

Fig. 18 SEPARATOR AREA (GR1700, GR1750, GR2710, GR2750)



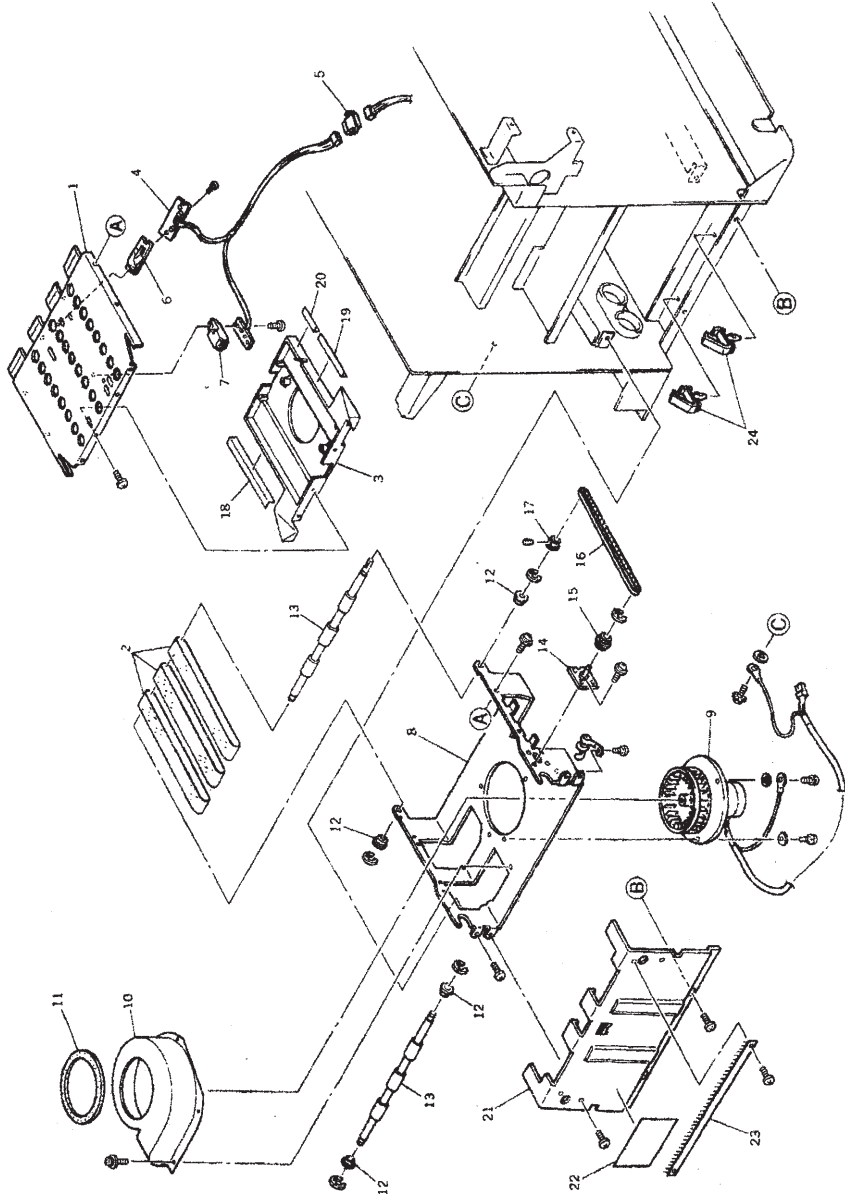
No.	Part No.	Part Name	Q'ty	Remark
1	017-93310-001	Separator Assy	1	
2	019-13301-109	*Separator II	1	
3	011-13304-002	*Shaft; Separator	1	
4	011-13311-106	*Release Lever	1	
5	011-13301-208	*Lever; Separator	1	
6	000-01515-004	*Collar; Separator	1	
7	019-13614-005	*Air Hose; Separator	1	
8	665-02901-002	*Power Band T10	2	
9	011-13310-002	Hook Plate	2	
10	002-13352-105	Spring; Separator	1	
11	011-13307-109	Adj. Stopper; Separator	1	
12	011-13306-005	Collar A; Separator	2	
13	607-15000-000	Metal; F8 x 13/12 x 5; 16 x 2	1	
14	017-13301-007	Release Lever; Separator	1	
15	007-13121-100	Spring; Release Lever	1	
16	017-93216-005	Paper Receiving Sensor II (Receive) Assy	1	
17	017-23314-000	*Bracket II; P. -Rcv. Sensor II (Receive)	1	
18	017-60013-303	*Paper Receiving Sensor (Receive)	1	
19	019-93320-109	** Junction Connector; 6P	1	Ref.Pg.II-36
20	019-93320-109	Air Pump Assy	1	
21	019-13607-706	*Bracket; Air Pump	1	
22	019-13601-000	*Cylinder; Air Pump	1	
23	019-13617-004	*Cylinder Valve II; Air Pump	1	
24	019-13618-000	*Cylinder Valve Sheet; Air Pump	1	
25	840-60340-003	*O Ring; P34-3.5	1	
26	019-13616-008	*Piston Head II; Air Pump	1	
27	019-13612-002	*Arm Shaft; Air Pump	1	
28	019-13611-006	*Arm; Air Pump	1	
29	019-13604-000	*Cam Plate; Air Pump	1	
30	019-13603-003	*Cam Pulley; Air Pump	1	
31	620-73758-004	*Belt; 375-5GT-8	1	
32	017-93301-002	Separation Fan Assy II	2	
33	017-65019-008	*Separation Fan	2	
34	017-23311-000	*Nozzle; Separation	2	
35	017-23312-007	*Bracket II; Separation Fan	1	
36	017-23313-100	*Cover II; Separation Fan	1	

Fig. 19 SEPARATOR AREA (GR3750)



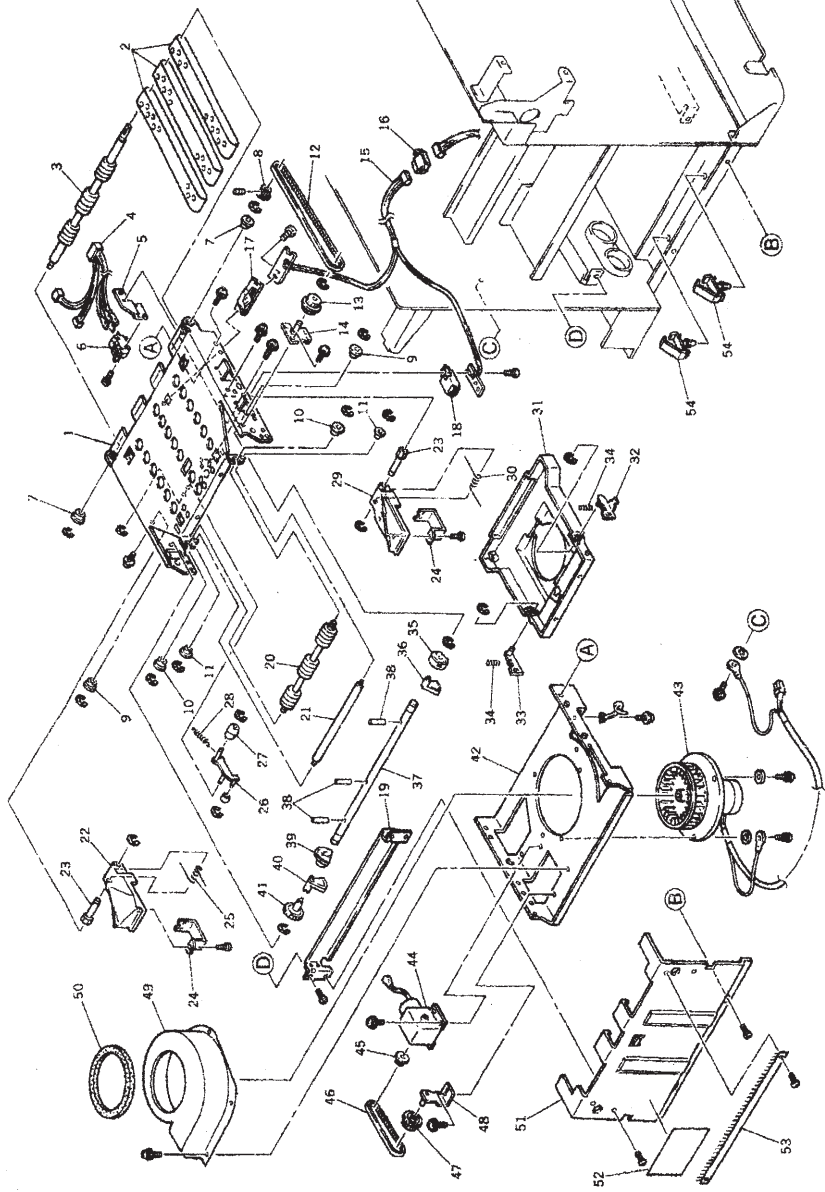
No.	Part No.	Part Name	Q'ty	Remark
	019-93300-000	Separator Ass'y; A3		
1	019-13301-109	*Separator II	1	
2	019-23301-000	*Shaft; Separator II; A3	1	
3	011-13311-106	*Release Lever	1	
4	011-13301-208	*Lever; Separator	1	
5	000-01515-004	*Collar; Separator	1	
6	665-02901-002	*Power Band T10	2	
7	019-13514-005	*Air Hose; Separator	1	
8	019-93320-109	Air Pump Ass'y		
9	019-13501-000	*Cylinder; Air Pump	1	
10	019-13517-004	*Cylinder Valve II; Air Pump	1	
11	640-60340-003	*O Ring; P34-3.5	1	
12	019-13516-008	*Piston Head II; Air Pump	1	
13	019-13512-002	*Arm Shaft; Air Pump	1	
14	019-13511-006	*Arm; Air Pump	1	
15	019-13504-000	*Cam Plate; Air Pump	1	
16	620-73758-004	*Belt; 375-5GT-B	1	
17	019-13503-003	*Cam Pulley; Air Pump	1	
18	019-13507-106	*Bracket; Air Pump	1	
19	011-13310-002	Hook Plate	2	
20	002-13352-105	Spring; Separator	1	
21	011-13307-109	Adj. Stopper; Separator	1	
22	011-13306-005	Collar A; Separator	2	
23	607-15000-000	Metal; FB x 13/12 x 5; 16 x 2	1	
24	017-13301-007	Release Lever; Separator	1	
25	007-13121-100	Spring; Release Lever	1	
	019-93310-006	Separator Fan Ass'y		
26	019-65006-008	*Separation Fan	1	
27	014-13311-000	*Nozzle (Upper); Separation	1	
28	014-13310-004	*Nozzle (Lower); Separation	1	
29	014-13312-007	Bracket; Separation Fan	1	
30	017-93216-005	Paper Receiving Sensor II (Receive) Ass'y		
30	017-23314-000	*Bracket II; P. Rev. Sensor II (Receive)	1	
31	017-60013-303	*Paper Receiving Sensor (Receive)	1	
32		**Junction Connector; 6P		
			1	Ref.Pg.II-38

Fig. 20 SUCTION UNIT (GR1700)



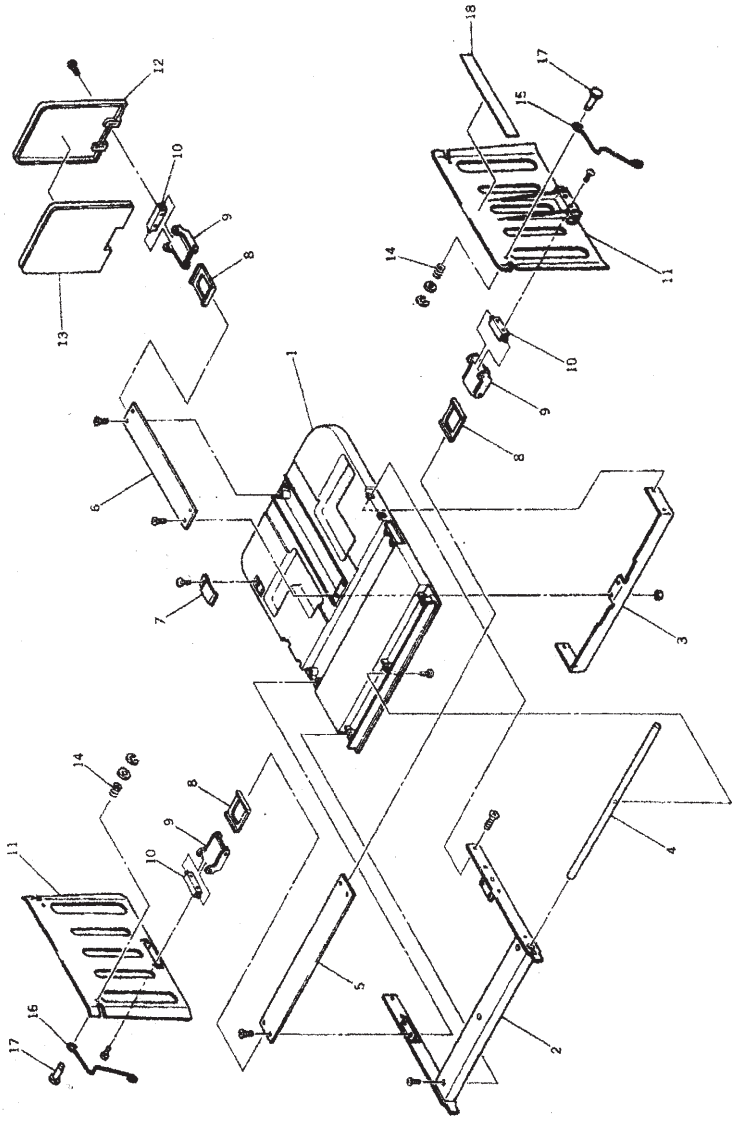
No.	Part No.	Part Name	Q'ty	Remark	No.	Part No.	Part Name	Q'ty	Remark
	017-93206-204	Suction Unit II							
1	017-13280-107	*Face Cover II; Suction	1						
2	011-13220-003	*Transfer Belt	3						
3	011-13201-106	*Suction Cover (Upper)	1						
4	019-60006-107	*Paper Receiving Sensor (Send) III	1	Ref.Pg.II-36					
5		**Junction Connector; 4P	1						
6	017-13220-104	*Cover; Paper Rcv. Sensor 1	1						
7	017-13221-100	*Cover; Paper Rcv. Sensor 2	1						
8	011-13232-109	*Suction Cover (Lower)	1						
9	010-65010-005	*Suction Fan Ass'y	1						
10	011-13206-205	*Suction Fan Cover	1						
11	011-13207-007	*Seal	1						
12	600-60099-017	*Bearing; FLW688ZZ	4						
13	017-13278-005	*Transfer Shaft; Suction	2						
14	011-13212-000	*Fulcrum Plate; Gear Pulley; Suction	1						
15	002-13252-003	*Gear Pulley B; Suction	1						
16	620-22364-001	*Belt; B236M x L-4.8	1						
17	011-13204-008	*Pulley; Suction Motor	1						
18	017-23203-003	*Sheet A; Suction	1						
19	017-23204-000	*Sheet B; Suction	1						
20	017-23205-006	*Sheet C; Suction	1						
21	011-13205-403	Cover Plate; Suction	1						
22	550-20584-008	Seal; P.-Rcv.-T. Pos.	1						
23	017-13258-004	De-electricity Brush; Suction	1						
24	665-02031-008	Clamp; CP2311	2						

Fig. 21 SUCTION UNIT (GR1750, GR2710, GR2750, GR3750)



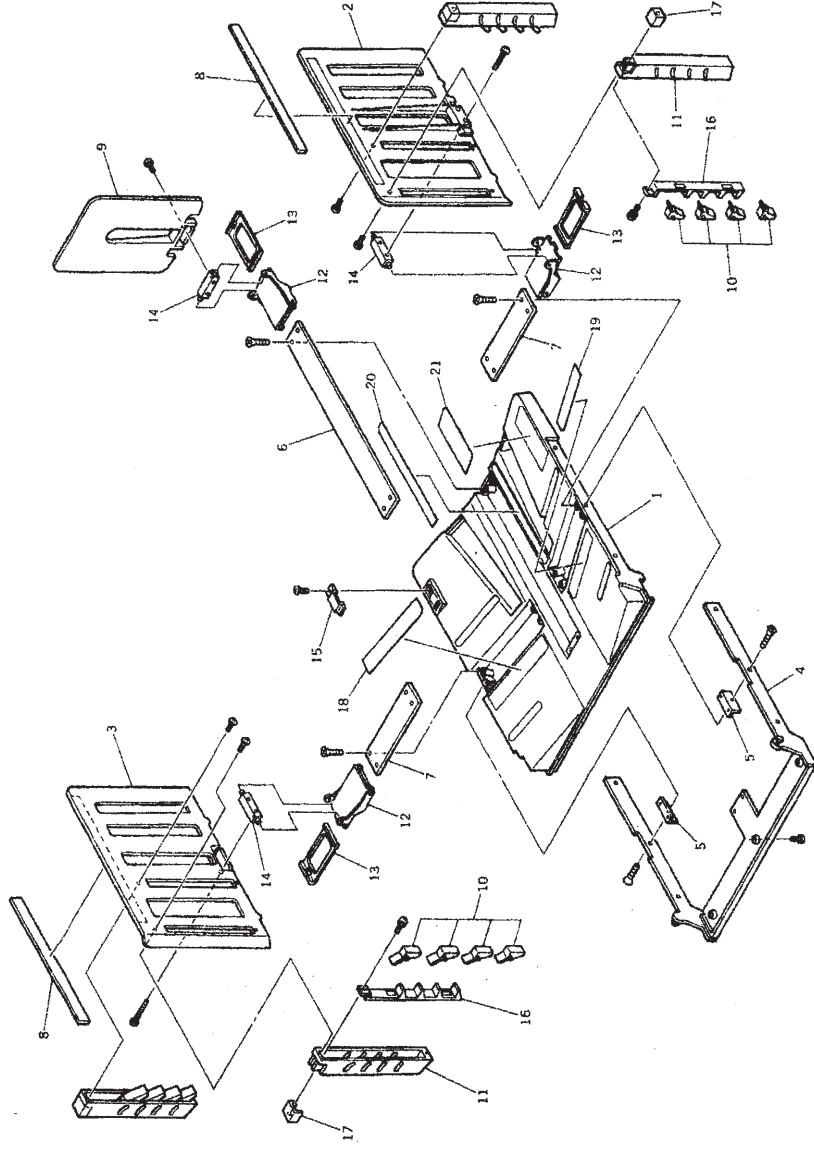
No.	Part No.	Part Name	Q'ty	Remark	
	019-93200-103	Suction Unit W; A3		3750	
1	017-13201-606	*Face Cover W; Suction	1		
2	011-13220-003	*Transfer Belt	3		
3	017-13247-002	*Drive Shaft; Suction	1		
4	019-56036-103	*Wire Harness; Suction	1		
5	017-13229-209	*Adj. SW Plate; Suction	1		
6	443-00120-609	*Micro-SW; E21-91N	1		
7	600-50059-017	*Bearing; FLW688ZZ	2		
8	011-13204-008	*Pulley; Suction Motor	1		
9	607-13000-003	*Metal; F6 x 10/9 x 4; 12 x 1.5	2		
10	600-50046-004	*Bearing; FLAWBC6-12ZZA	2		
11	607-11001-002	*Metal; F4 x 6 x 2.2; 8 x 1	2		
12	620-22394-008	*Belt; 239-M x L-4.8	1		
13	019-13203-000	*Gear Pulley 38; Suction	1		
14	017-13237-104	*Fulcrum Plate II; Gear Pulley; Suction	1		
15	019-60006-107	*Paper Receiving Sensor (Send) III	1	Ref.Fg.II-36	
16	017-13220-104	**Junction Connector; 4P	1		
17	017-13221-100	*Cover; Paper Rev. Sensor 1	1		
18	017-13221-100	*Cover; Paper Rev. Sensor 2	1		
19	017-13240-008	*Stay; Suction	1		
20	017-13235-004	*Idler Shaft; Suction	1		
21	017-13236-108	*Belt Idler; Suction	1		
22	019-23202-001	*Jump Wing (F); Suction; A3	1	3750	
22	017-13206-004	*Jump Wing (F); Suction	1		
23	017-13205-008	*Shaft; Jump Wing	2		
24	017-13208-007	*Wing Plate; Suction	2		
25	017-13239-000	*Spring; Jump Wing (F)	1		
26	017-13211-008	*Shaft Plate; Belt Roller; Suction	1		
27	017-13216-000	*Belt Roller; Suction	1		
28	017-13210-001	*Spring; Belt Roller; Suction	1		
29	019-23203-008	*Jump Wing (R); Suction; A3	1	3750	
29	017-13207-000	*Jump Wing (R); Suction	1		
30	017-13241-004	*Spring; Jump Wing (R)	1		
31	017-13219-203	*Suction Cover W (Upper)	1		
	32	017-13255-005	*Side Flap (R); Suction	1	
	33	017-13252-006	*Side Flap (F); Suction	1	
	34	017-13257-008	*Spring; Side Flap; Suction	2	
	35	017-13228-008	*SW Cam; Suction	1	
	36	017-13226-102	*Wing Cam (R); Suction	1	
	37	017-13222-107	*Shaft; Wing Cam; Suction	1	
	38		*Pin; ϕ 2x 8	3	Ref.Pg.II-36
	39	017-13225-106	*Roller Cam; Suction	1	
	40	017-13224-207	*Wing Cam (F); Suction	1	
	41	017-13223-006	*Cam Gear; Suction	1	
	42	017-13232-102	*Bracket; Suction Fan	1	
	43	019-65010-005	*Suction Fan Ass'y	1	
	44	017-65006-003	*Wing Motor; Suction	1	
	45	017-13248-009	*Pulley; Wing Motor	1	
	46	620-62256-007	*Belt; B60S3M225	1	
	47	017-13246-006	*Wing Gear; Suction	1	
	48	017-13242-000	*Shaft Plate; Wing Gear	1	
	49	011-13206-205	*Suction Fan Cover	1	
	50	017-13233-001	*Seal	1	
	51	019-23201-005	Cover Plate II; Suction	1	3750
	51	017-13250-305	Cover Plate W; Suction	1	
	52	550-21141-002	Seal; Paper Guide Set	1	
	52	550-21142-009	Seal; Paper Guide Set; Ptc.	1	
	53	017-13258-004	De-electricity Brush; Suction	1	
	54	666-02031-008	Clamp; CP2311	2	

Fig. 22 PAPER RECEIVING TRAY



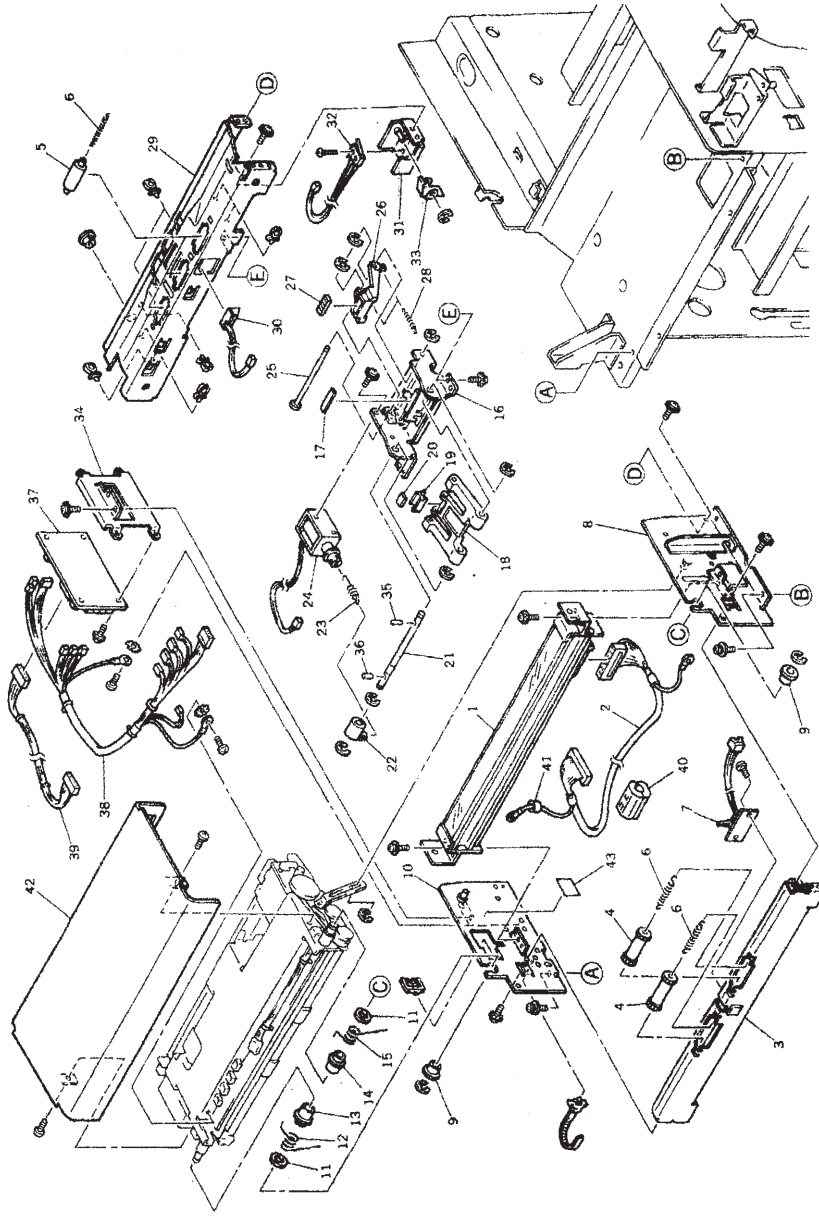
No.	Part No.	Part Name	Q'ty	Remark	No.	Part No.	Part Name	Q'ty	Remark
	014-93100-102	Unit/Paper Receiving Tray; A3							
	014-93105-200	Unit/Paper Receiving Tray; A3; 100US		U.S.A.					
1	011-13115-102	*Receiving Tray Plate II	1						
1	011-43102-102	*Receiving Tray Plate II; 100US	1	U.S.A.					
2	014-13101-103	*Frame A; Paper Receiving Tray; A3	1						
3	011-13106-006	*Frame B; Paper Receiving Tray	1						
4	011-13112-103	*Shaft; Paper Receiving Tray	1						
5	011-13108-106	*Slide Rail A; P. -Rev. -T.	1						
6	011-13109-102	*Slide Rail B; P. -Rev. -T.	1						
7	011-13107-002	*Catch Plate; P. -Rev. -T.	1						
8	014-13113-004	*Slide Frame; Paper Guide; Rev.; A3	3						
9	014-13110-102	*Slide Guide; Paper Guide; Rev.; A3	3						
10	007-13124-109	*Base Block; Paper Guide; Rev.	3						
11	011-13110-305	*Paper Guide; P. -Rev. -T.	2						
12	014-13105-303	*Back Stop II; P. -Rev. -T.	1						
13	014-13106-105	*Damper; Back Stop; P. -Rev. -T.	1						
14	011-13141-006	*Spring; Paper Guide; P. -Rev. -T.	2						
15	011-13142-002	*Paper Guiding Arm F; P. -Rev. -T.	1						
16	011-13143-009	*Paper Guiding Arm R; P. -Rev. -T.	1						
17	011-13135-006	*Pin; Paper Guide	2						
18	550-20087-004	Seal; Paper Guiding Arm	1						
18	550-20226-004	Seal; Paper Guiding Arm; Pic.	1						

Fig. 23 PRECISION STACKING TRAY



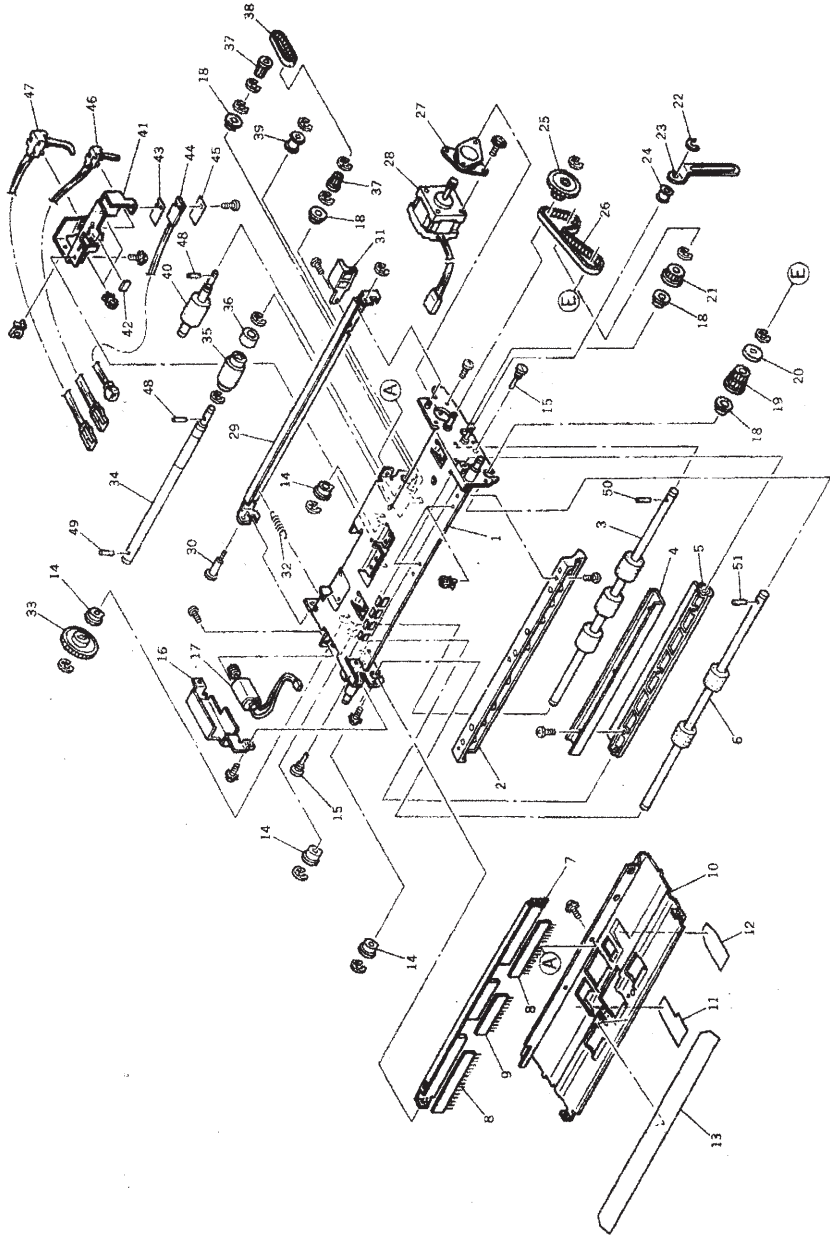
No.	Part No.	Part Name	Q'ty	Remark	No.	Part No.	Part Name	Q'ty	Remark
	019-93103-108	Unit/Paper Receiving Tray V							
	019-93101-105	Unit/Paper Receiving Tray V; US		U.S.A.					
	019-93102-101	Unit/Paper Receiving Tray V; Plc.							
1	019-13101-100	*Receiving Tray Plate	1						
2	019-13102-009	*Paper Guide F; P.-Rev.-T.	1						
3	019-13103-005	*Paper Guide R; P.-Rev.-T.	1						
4	019-13104-001	*Frame; P.-Rev.-T.	1						
5	019-13109-003	*Ground Plate; P.-Rev.-T.	2						
6	019-13110-001	*Slide Rail A; P.-Rev.-T.	1						
7	019-13111-008	*Slide Rail B; P.-Rev.-T.	2						
8	019-13112-004	*Reinforce Plate; P.-Rev.-T.	2						
9	019-13113-108	*Back Stop; P.-Rev.-T.	1						
10	019-13115-100	*Flap; P.-Rev.-T.	16						
11	019-13116-107	*Flap Cover; P.-Rev.-T.	4						
12	014-13110-102	*Slide Guide; Paper Guide; Rev.; A3	3						
13	014-13113-004	*Slide Frame; Paper Guide; Rev.; A3	3						
14	007-13124-109	*Base Block; Paper Guide; Rev.	3						
15	011-13107-002	*Catch Plate; P.-Rev.-T.	1						
16	015-35244-304	*Flap Adj. Plate; P.-Rev.-T.	4						
17	015-35246-005	*Adj. Lever; P.-Rev.-T.	4						
	550-21071-101	*Seal; P.-Rev.-T.							
18	550-20972-008	**Seal F; P.-Rev.-T.	1						
19	550-20973-004	**Seal R; P.-Rev.-T.	1						
20	550-20974-000	**Seal C; P.-Rev.-T.	1						
21	550-21025-100	**Seal; Precision Stacking Tray	1	U.S.A.					
	550-21024-103	*Seal; P.-Rev.-T.; US							
18	550-21026-009	**Seal F; P.-Rev.-T.; US	1						
19	550-21027-005	**Seal R; P.-Rev.-T.; US	1						
20	550-21028-001	**Seal C; P.-Rev.-T.; US	1						
21	550-21025-100	**Seal; Precision Stacking Tray	1	Plc.					
	550-21070-105	*Seal; P.-Rev.-T.; Plc							
18	550-20972-008	**Seal F; P.-Rev.-T.	1						
19	550-20973-004	**Seal R; P.-Rev.-T.	1						
20	550-20974-000	**Seal C; P.-Rev.-T.	1						
21	550-21072-108	**Seal; Precision Stacking Tray; Plc.	1						

Fig. 25 ADF AREA (1) (GR1700, GR1750)



No.	Part No.	Part Name	Qty	Remark
1	017-60021-101	Image Scanner	1	1700
1	017-60022-108	Image Scanner; 49	1	1750
2	019-55011-003	Wire Harness; Image	1	
	017-96000-208	Unit/ADF		
		*ADF AREA (2)		
3	017-16506-203	*Original Guide Base (R); ADF	1	
4	017-16805-007	*Exit Wheel; ADF	4	
5	017-16542-005	*Roller (Lower); ADF	3	
6	017-16585-000	*Roller Spring; ADF	5	
7	017-16604-108	*Original Out Sensor	1	
8	017-16589-205	*Side Frame (II) L; Scanner	1	
9	017-16525-003	*Mate; 8M	2	
10	017-16570-300	*Side Frame (II) R; Scanner	1	
11	017-16593-009	*Spacer; Shaft Hinge	2	
12	017-16553-007	*Spring R; ADF Hinge	1	
13	017-16563-002	*Spacer; ADF Hinge R	1	
14	017-16564-009	*Spacer; ADF Hinge L	1	
15	017-16554-003	*Spring L; ADF Hinge	1	
16	017-16508-109	*Frame B; Original Guide	1	
17	017-16588-108	*Damper Plate; Pickup; ADF	1	
18	017-16511-002	*Pickup Arm; ADF	1	
19	017-16600-005	*Pickup Pad Holder; ADF	1	
20	017-16601-001	*Pickup Pad; ADF	1	
21	017-16543-109	*Pickup Shaft; ADF	1	
22	017-16537-001	*Arm; Original Feed Solenoid	1	
23	018-16557-107	*Spring; Pickup Solenoid	1	
24	017-16573-105	*Original Feed Solenoid	1	
25	017-16544-105	*Shaft; Stripper Arm	1	
26	017-16512-009	*Stripper Arm; ADF	1	
27	017-16539-004	*Original Stripper Pad	1	
28	017-16548-003	*Spring; Stripper Arm	2	
29	017-16501-104	*Original Guide Base (F); ADF	1	
30	017-16580-209	*Original IN Sensor (Receive)	1	
31	017-16586-001	*Bracket; ADF SW	1	
32	017-16581-000	*ADF SW	1	
33	017-16560-003	*Actuator; ADF SW	1	
34	017-16518-007	*Bracket; ADF PCB	1	
35		*Pin; $\phi 2 \times 14$	1	Ref. Pg. II-36
36		*Pin; $\phi 2 \times 8$	1	Ref. Pg. II-36
37	017-51000-100	*ADF PCB	1	
38	017-16582-007	Wire Harness; ADF	1	
39	019-55059-006	Wire Harness; S; ADF	1	
40	435-00023-008	TDK Core; ZCAT 3035-1330	1	
41	435-00021-005	Core; TR-12.5-8-12	1	
42	017-17102-106	Cover B; ADF	1	
43	550-20677-103	Seal; Image Scanner	1	
43	550-20678-100	Seal; Image Scanner; Pic.	1	

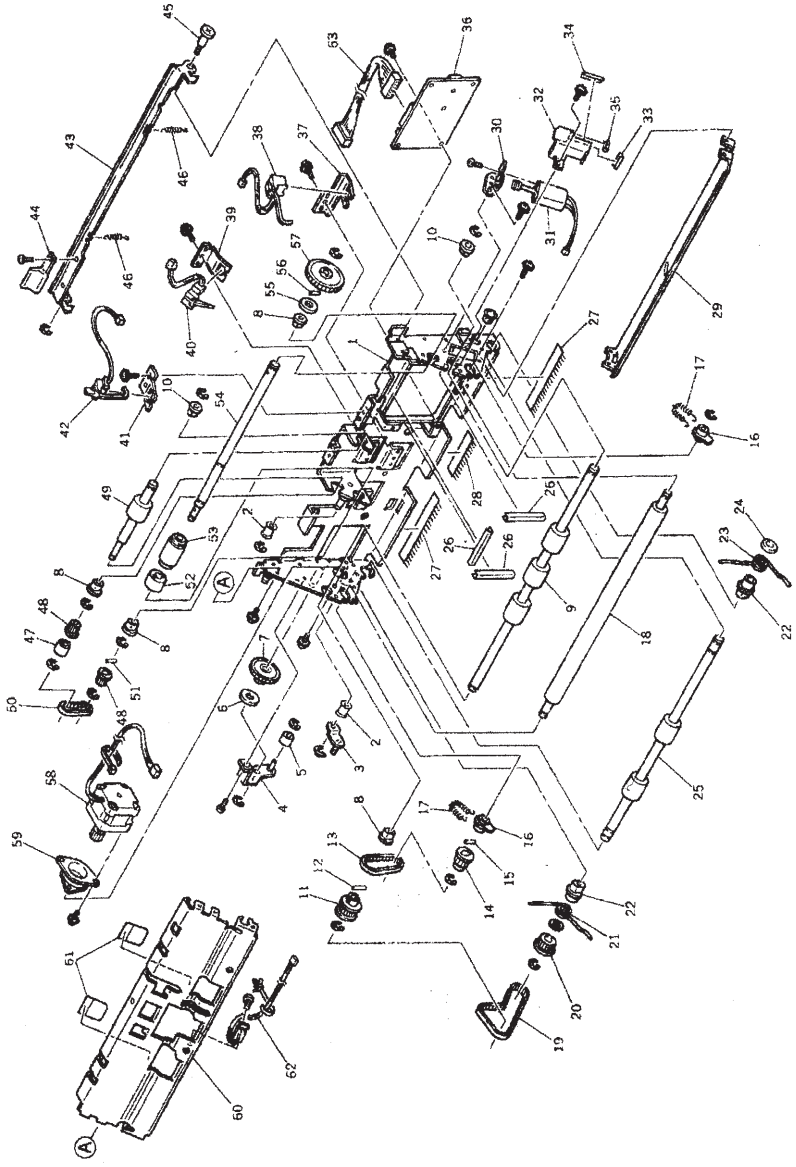
Fig. 26 ADF AREA (2) (GR1700, GR1750)



No.	Part No.	Part Name	Q'ty	Remark
34	017-16532-000	*Shaft; Stripper Roller; ADF	1	
35	017-16535-009	*Stripper Roller; ADF	1	
36	018-16541-006	*Collar; Stripper Roller	1	
37	017-16530-007	*Pulley A; ADF	2	
38	017-16588-005	*Belt; 44	1	
39	018-16543-009	*Tension Pulley A; FB-ADF	1	
40	017-16533-006	*Pickup Roller (Upper); ADF	1	
41	017-16519-003	*Bracket; ADF Sensor	1	
42	017-16599-007	*Dampner Plate; Shading	1	
43	017-16594-005	*Sheet; Sensor	1	
44	017-16579-006	*Original IN Sensor (Send)	1	
45	017-16597-004	*Sheet F; Sensor	1	
46	017-16576-007	*Original Regist. Sensor	1	
47	017-16575-000	*Original Det. Sensor	1	
48		*Pin; $\phi 2 \times 10$	2	Ref.Pg.II-36
49		*Pin; $\phi 2 \times 12$	1	Ref.Pg.II-36
50		*Pin; $\phi 2 \times 14$	1	Ref.Pg.II-36
51		*Pin; $\phi 2 \times 8$	1	Ref.Pg.II-36

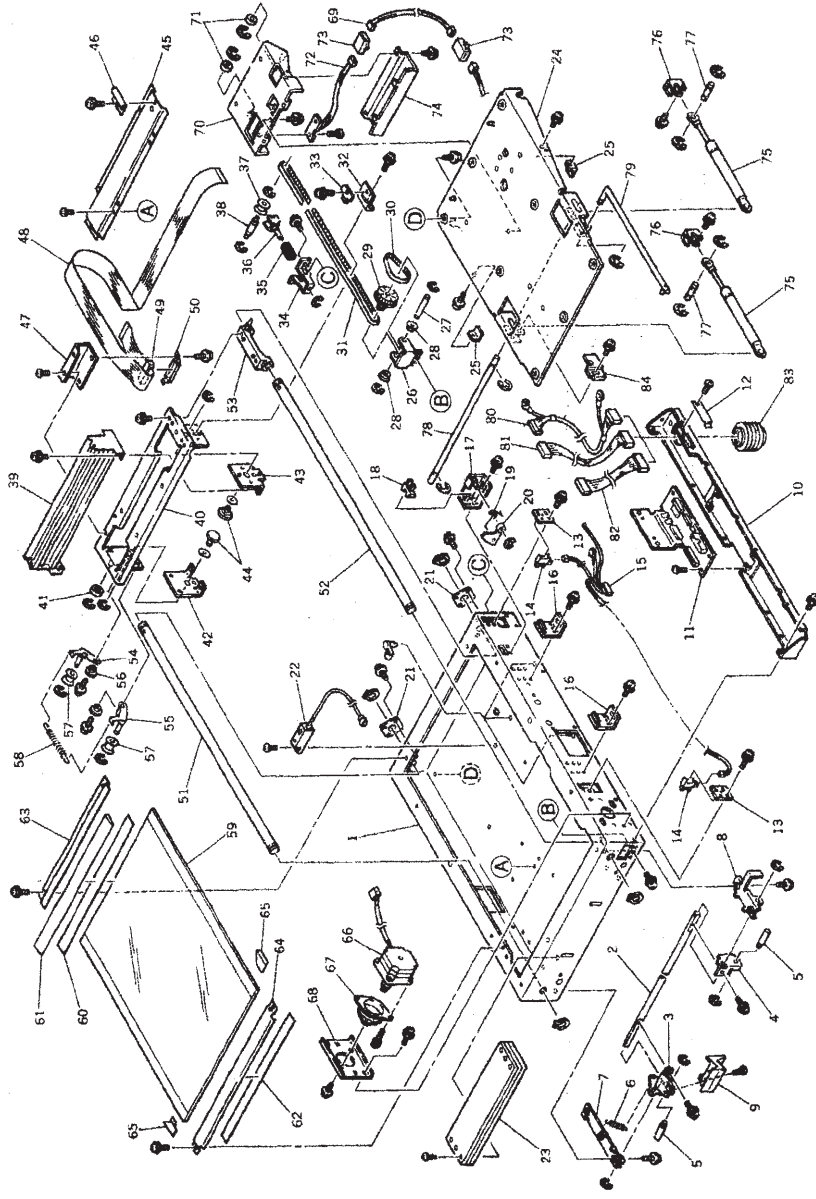
No.	Part No.	Part Name	Q'ty	Remark
	017-96000-208	Unit/ADF		
1	017-16585-809	*ADF AREA (1)		
2	017-16505-100	*Upper Frame; ADF	1	
3	017-16510-006	*Rib; Shading		
4	017-16610-000	*Transfer Roller; ADF	1	
5	017-16609-002	*Balance Plate; Shading	1	
6	017-16513-005	*Guide; Shading	1	
7	017-16509-008	*Exit Roller (Upper); ADF	1	
8	017-16545-004	*Bracket; De-electricity Brush; ADF	1	
9	017-16546-000	*De-electricity Brush A; ADF	2	
10	017-16507-501	*De-electricity Brush B; ADF	1	
11	017-16602-008	*Original Guide (F); ADF	1	
12	017-16603-004	*Sheet Guide (A); ADF	1	
13	017-16612-003	*Sheet Guide (B); ADF	1	
14	017-16526-000	*Sheet; Shading	1	
15	017-16611-007	*Housing; 8P	4	
16	017-16524-007	*Stepped Screw M4	2	
17	017-16571-102	*Motor Cover; ADF	1	
18	017-16561-000	*ADF Motor	1	
19	017-16522-004	*Metal; 8M (2)	4	
20	017-16587-009	*Exit Pulley; ADF	1	
21	017-16528-002	*Spacer; Exit Pulley	1	
22		*Transfer Pulley; ADF	1	
23	017-16586-002	*Plastic E Ring	1	Ref.Pg.II-36
24	017-16531-003	*Link Plate; ADF	1	
25	017-16523-000	*Tension Pulley; ADF	1	
26	017-16589-001	*Main Gear; ADF	1	
27	017-16595-001	*Belt; 120	1	
28	017-16572-001	*Mount; Read Pulse Motor	1	
29	017-16572-001	*Read Pulse Motor	1	
30	017-16504-006	*Hook Plate; ADF	1	
31	017-16514-001	*Stepped Screw M3	1	
32	017-16547-007	*Open Lever; ADF	1	
33	017-16638-008	*Spring; ADF Lever	1	
		*Gear; ADF	1	

Fig. 28 ADF AREA (2) (GR2710, GR2750, GR3750)



No.	Part No.	Part Name	Qty	Remark	No.	Part No.	Part Name	Qty	Remark
		Unit/ADF; FB			34	018-16581-008	*Bushing (1); ADF Motor	1	
		*ADF AREA (1)			35	018-16593-000	*Bushing (3); ADF Motor	1	
1	018-16512-200	*Upper Frame; FB-ADF	1		36	017-51000-100	*ADF PCB	1	
2	018-16543-009	*Tension Pulley A; FB-ADF	2		37	018-16537-009	*Bracket; Original Regist. Sensor	1	
3	018-16506-006	*Stopper Plate; FB-ADF	1		38	018-16585-002	*Original Regist. Sensor	1	
4	018-16507-100	*Tension Pulley B; FB-ADF	1		39	018-16535-103	*Bracket; Original Out Sensor	1	
5	018-16510-003	*Tension Pulley B; FB-ADF	1		40	018-16586-009	*Original Out Sensor	1	
6	018-16546-008	*Spacer; Main Gear; FB-ADF	1		41	018-16536-002	*Bracket; Original Det. Sensor	1	
7	018-16503-104	*Main Gear; FB-ADF	1		42	018-16584-006	*Original Det. Sensor	1	
8	018-16548-000	*Metal; 8M	4		43	018-16523-008	*Hook Plate; FB-ADF	1	
9	018-16513-002	*Transfer Roller; FB-ADF	1		44	018-16532-007	*Open Lever; FB-ADF	1	
10	018-16547-004	*Metal; 8P	2		45	018-16504-003	*Stepped Screw; M4 x 13	1	
11	018-16542-100	*Pulley; Transfer Roller	1		46	018-16586-003	*Spring; Open Lever	2	
12	018-16572-009	*Pin; ϕ 2 x 14	1	Ref.Pg.II-36	47	018-16575-008	*Collar; Pickup Roller; FB-ADF	1	
13	018-16544-005	*Pulley; Read Roller	1		48	017-16530-007	*Pulley A; ADF	2	
14	018-16544-005	*Pin; ϕ 2 x 10	1	Ref.Pg.II-36	49	018-16540-000	*Pickup Roller (Upper); FB-ADF	1	
15	018-16550-102	*Housing; Read Roller	2		50	017-16588-005	*Belt; 44	1	
16	018-16550-102	*Spring; Read Roller	2		51	018-16541-006	*Pin; ϕ 2 x 10	1	Ref.Pg.II-36
17	018-16516-109	*Read Roller	1		52	017-16535-009	*Collar; Stripper Roller	1	
18	018-16585-003	*Belt; 118	1		53	018-16539-001	*Stripper Roller; ADF	1	
19	018-16545-001	*Exit Pulley; FB-ADF	1		54	018-16526-007	*Shaft; Stripper Roller; FB-ADF	1	
20	018-16549-007	*Spring L; FB-ADF	1		55	018-16576-007	*Spacer; WHG	1	
21	018-16559-002	*Housing; Exit Roller	1		56	017-16538-008	*Pin; ϕ 2 x 12	1	Ref.Pg.II-36
22	018-16549-007	*Spring R; FB-ADF	2		57	017-16538-008	*Gear; ADF	1	
23	018-16552-008	*Spacer; Exit Roller	1		58	018-16563-000	*Read Pulse Motor; FB-ADF	1	
24	018-16514-009	*Exit Roller (Upper); FB-ADF	1		59	017-16595-001	*Mount; Read Pulse Motor	1	
25	018-16577-000	*Bushing; FB-ADF	3		60	018-16519-000	*Original Guide (F); FB-ADF	1	
26	018-16555-007	*De-electricity Brush A; FB-ADF	2		61	018-16576-004	*Sheet Guide; FB-ADF	2	
27	018-16545-000	*De-electricity Brush B; ADF	2		62	018-16567-005	*Original IN Sensor (Send)	1	
28	018-16591-003	*Guide Plate; FB-ADF	1		63	018-55003-003	Wire Harness; ADF (FB)	1	
29	018-16561-104	*ADF Motor; FB	1						
30	018-16518-101	*Motor.Cover; FB-ADF	1						
31	018-16582-004	*Bushing (2); ADF Motor	1						

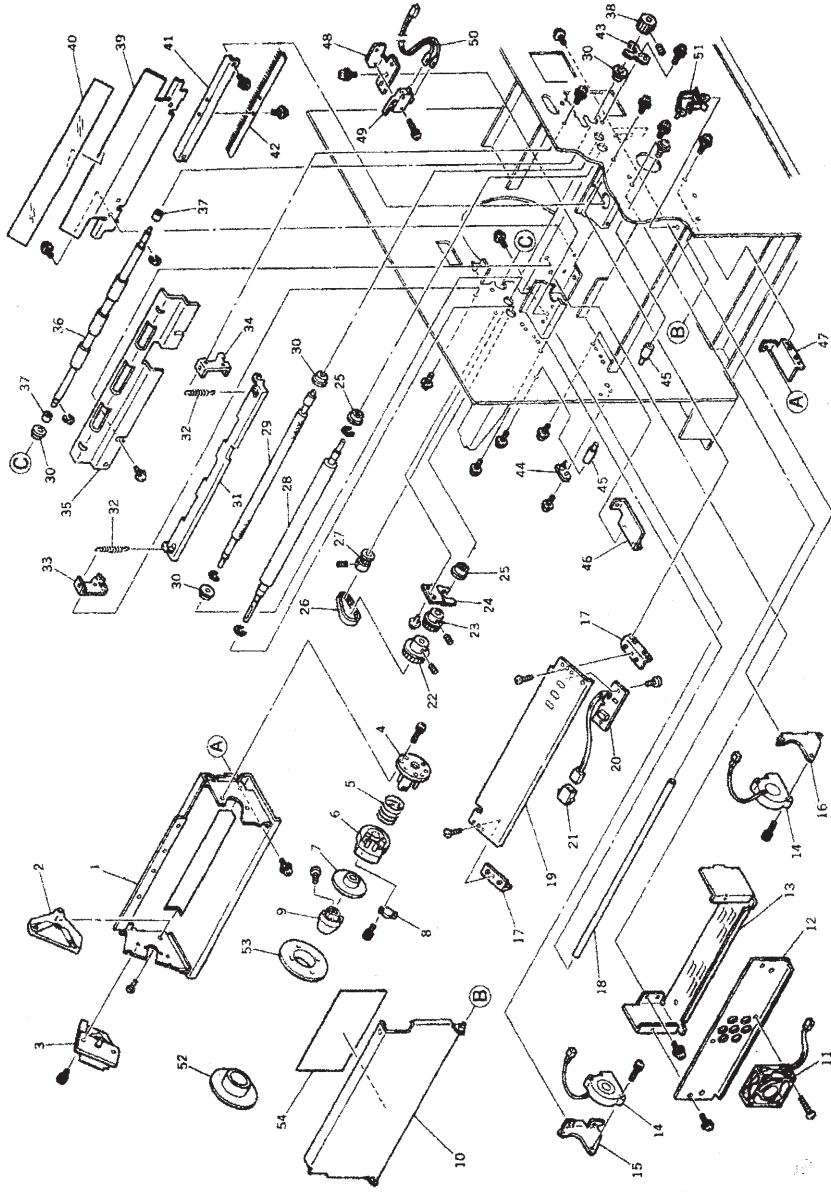
Fig. 29 SCANNER AREA



No.	Part No.	Part Name	Q'ty	Remark
	018-96001-053	Unit/Scanner FB; 2710		
	019-96005-050	Unit/Scanner FB; 2750		
	019-96011-050	Unit/Scanner FB; 3750		
1	019-16050-107	*Main Frame; FB-Scanner	1	2750, 2710
2	018-16217-004	*Hook Shaft; FB	1	3750
2	019-26214-000	*Hook Shaft; FB; A3	1	
3	018-16220-005	*Hook Base (F); FB-Hook Shaft	1	
4	018-16222-105	*Hook Base (R); FB-Hook Shaft	1	
5	018-16218-000	*Shaft; Hook Base	2	
6	018-16223-004	*Spring; Hook Shaft	1	
7	018-16225-104	*Bracket (F); Hook Shaft	1	
8	018-16227-204	*Bracket (R); Hook Shaft	1	
9	018-16224-000	*Open Lever; Hook Shaft	1	
10	018-16060-202	*Back Frame; FB-Scanner	1	
11	018-96050-008	*Flat Bed PCB	1	
12	018-16064-003	*Blind Plate; FB-Back Frame	1	
13	018-16031-105	*Bracket; FB-Pos. Sensor	2	
14	443-30003-003	*Sensor; LG-203D	2	
15	018-55001-108	*Wire Harness; FB	1	
16	018-16259-000	*Hinge Bracket; FB-Scanner	2	
17	018-16047-109	*Bracket; Stage Cover Sensor	1	
18	443-30003-003	*Sensor; LG-203D	1	
19	018-16032-101	*Actuator Spring; Stage Cover Sensor	1	
20	018-16032-101	*Actuator Stage Cover Sensor	1	
21	018-16037-006	*Adj. Plate; FB-Side Shaft	2	
22	018-60000-004	*Original Det. Sensor; FB	1	
23	018-16255-003	*Balance Weight; FB	8	
24	018-26201-408	*Bottom Plate; FB-Scanner	1	2750, 2710
24	019-26202-509	*Bottom Plate; FB-Scanner	2	3750
25	018-16250-001	*Dumper Hook; FB-Scanner	1	
26	018-16018-001	*Drive Pulley Holder; FB-Scanner	1	
27	018-16017-005	*Drive Pulley Shaft; FB-Scanner	1	
28	600-50046-004	*Bearing; FLAWBC6-12ZZA	2	
29	611-30090-000	*Pulley; P83/20-2M-6; HTD	1	
30	620-82006-007	*Belt; 106100 x 6 HTD	1	
31	620-89996-002	*Belt; 106614 x 6 HTD	1	
32	018-16019-008	*Belt Stand Plate; FB-Scanner	1	
33	018-16020-006	*Belt Holder Plate; FB-Scanner	1	
34	018-16023-006	*Tension Holder; FB-Scanner	1	
35	018-16027-000	*Tension Spring; FB-Scanner	1	
36	018-16024-001	*Tension Plate; FB-Scanner	1	
37	611-01420-000	*Pulley; φ 14 x 8	1	
38	018-16022-009	*Tension Shaft; FB-Scanner	1	
39	018-60021-206	*Image Scanner; CIP SMA301	1	2710
39	019-60011-003	*Image Scanner; CIP SMA401-GR	1	3750, 2750
40	018-16013-301	*Carriage; Image Scanner	1	
41	600-06172-000	*Bearing; F-606ZZ1	1	
42	018-16002-105	*Scanner Holder (F)	1	
43	018-16003-209	*Scanner Holder (R)	1	
44	018-16004-000	*Adj. Pin; Scanner Holder	2	
45	018-16043-006	*Cover Plate; Image Flexible Wire	1	
46	018-16044-002	*Ground Plate; FB-Scanner	1	
	018-56075-000	*Image Flexible Wire Ass'y		
47	018-16030-001	**Wire Stand; FB-Image	1	
48	018-55000-101	**Image Flexible Wire	1	
49	435-00018-004	**TDK Core; HF70SH40 x 1.3 x 8	1	
50	018-16045-106	**Core Holder	1	
51	018-16036-107	*Slide Shaft; FB-Scanner	1	
52	019-16036-007	*Slide Shaft B; FB-Scanner	1	
53	019-16070-205	*Slide Guide; FB-Scanner	1	
54	019-16002-102	*Arm (L); Carriage	1	
55	019-16004-105	*Arm (R); Carriage	1	
56	018-16011-007	*Boss; Carriage	1	
57	018-16005-007	*Guide Wheel; Carriage	2	
58	018-16012-003	*Arm Spring; Carriage	1	
59	018-16040-104	*Stage Glass	1	
60	018-16066-006	*Shading Plate (L)	1	
61	018-16042-107	*Original Stopper	1	
62	018-16067-100	*Shading Plate (R)	1	
63	018-16038-002	*Glass Holder (L)	1	

No.	Part No.	Part Name	Q'ty	Remark	No.	Part No.	Part Name	Q'ty	Remark
64	018-16039-009	*Glass Holder (R)	1						
65	018-16071-000	*Protection Taper, Stage Glass	2						
66	018-65000-002	*R Pulse Motor; FB	1						
67	018-16029-003	*Shock-Absorbent Rubber; R Pulse M.	1						
68	018-16028-007	*Bracket; R Pulse Motor	1						
69	019-55024-105	*Wire Harness; Disposal Box Master Sensor	1						
70	017-24148-103	Disposal Box Guide	1						
71	017-24151-007	Guide Collar; Disposal Box Guide	2						
72	019-60000-001	Disposal Box Master Sensor	1						
73	017-24154-006	*Junction Connector; 3P Sensor Cover; Disposal Box Guide	2	Ref.Pg.II-38					
74	019-00002-207	Damper; FB	1						
75	019-16215-009	Damper Bottom Bracket	2						
76	019-16214-100	Shaft; Damper Bottom Bracket	2						
77	019-27240-102	Shaft; Damper	1						
78	019-17255-004	Support Shaft Lock	1						
79	019-55011-003	Wire Harness; Image	1						
80	018-55008-002	Wire Harness; FB	1						
81	018-55003-003	Wire Harness; ADF (FB)	1						
82	018-16085-000	Wire Harness Tubing	1						
83	019-17241-208	Shaft Stopper; Damper	1						

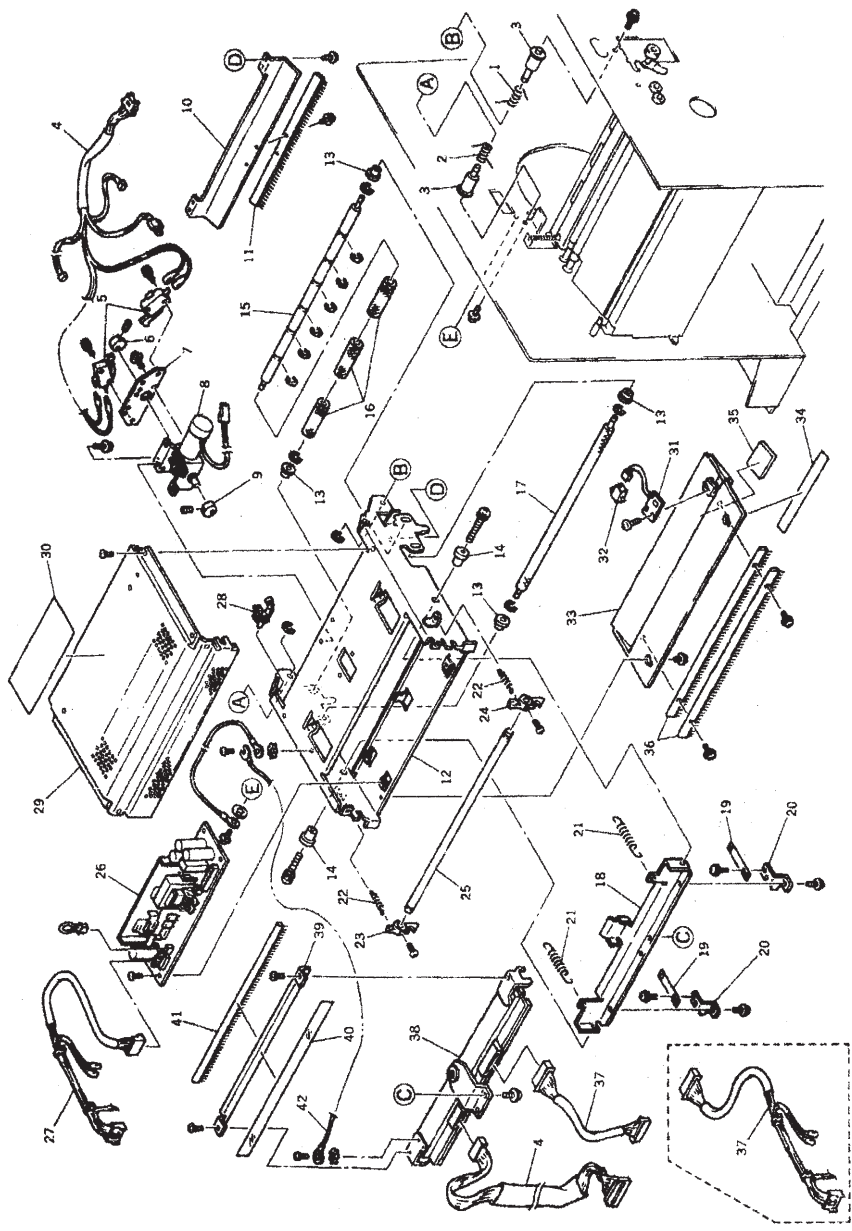
Fig. 30 MASTER-MAKING AREA (1) (GR1700, GR1750, GR2710, GR2750)



No.	Part No.	Part Name	Q'ty	Remark
23	011-15120-006	Pulley A; Write Roller	1	
24	017-15108-000	Fixing Plate; Bearing	1	
25	600-50059-017	Bearing; FLW68RZZ	2	
26	620-20503-004	Belt; B50M x L3.2	1	
27	009-35214-009	Pulley PM (16); Exit Roller	1	
28	011-95077-009	Write Roller; 40	1	
29	011-15009-105	Catch Roller (Lower); M. -M.	1	
30	607-15000-809	Metal; F8 x 16 x 6; 18 x 2	4	
31	017-15102-001	Master Guide Plate	1	
32	014-15146-007	Spring; Master Guide Plate	2	
33	014-15144-101	Spring Hanger L; Master Guide Plate	1	
34	014-15145-108	Spring Hanger R; Master Guide Plate	1	
35	017-15103-105	Guide Plate; Load	1	
36	017-15101-005	Load Roller (Lower); M. -M.	1	
37	607-50806-409	Liner; R-M; C0808M	2	
38	011-15110-000	Pulley; Loading Roller (Lower)	1	
39	017-24146-003	Bracket; Aero Guide Sheet	1	
40	017-24147-000	Aero Guide Sheet	1	
41	017-15104-004	Bracket; De-electricity Brush	1	
42	011-15041-009	De-electricity Brush	1	
43	017-15107-003	Metal Fixing Plate	1	
44	017-15234-005	Set Plate; Master Holder Cover	1	
45	011-15001-007	Support Shaft	2	
46	017-15214-004	Holder Stay F	1	
47	017-15213-008	Holder Stay R	1	
48	017-95011-001	Master Loading Unit SW Ass'y	1	
49	017-25113-001	*Bracket; Micro-SW; M. -M.	1	
49	443-00120-501	*Micro-SW; E21-51N	1	
50	019-55004-007	*Wire Harness; Master Loading Unit SW	1	
51	665-02025-601	Wire Saddle; LWS-2N	1	
52	019-15281-105	Flange F; Master Roll	1	
53	019-15282-101	Flange R; Master Roll	1	
54	550-20987-005	Seal; Setting Master	1	
54	550-20988-001	Seal; Setting Master; Plc.	1	

No.	Part No.	Part Name	Q'ty	Remark
	017-95280-100	Unit/Master Roll Holder III; B4		
	017-95281-009	Unit/Master Roll Holder III; A4		
1	017-25201-105	*Master Roll Holder III; B4	1	B4
1	017-25203-000	*Master Roll Holder III; A4	1	A4, L
2	017-15281-003	*Guide Holder D; Master Holder	1	
3	017-95250-006	*Damper Gear Ass'y	1	B4
3	017-95251-002	*Damper Gear Ass'y; A4	1	A4, L
	017-95246-106	*Guide Flange III Ass'y	1	B4
	017-95247-005	*Guide Flange III A4 Ass'y	1	A4, L
4	019-15274-001	**Shaft; Guide Flange	1	
5	019-15273-005	**Spring; Guide Flange	1	
6	019-15270-006	**Damper Case	1	
7	019-15269-008	**Damper Gear	1	
8	610-00001-006	**HG Damper; 50F	1	B4
8	610-00005-001	**HG Damper; 2G50-L	1	A4, L
9	019-15277-000	**Guide Flange; Master Holder	1	
10	017-15217-003	Cover; Master Roll Holder	1	
11	017-95098-007	Stocker Assy II	1	
12	017-65011-007	*Loading Fan; Stocker	1	
12	017-25017-002	*Plate A; Stocker	1	
13	017-25016-103	Stocker	1	
14	019-65005-001	Master Removal Fan	2	
15	017-24152-100	Bracket F; Master Removal Fan	1	
16	017-24153-107	Bracket R; Master Removal Fan	1	
17	017-15124-005	Stay; Set Guide Plate	2	
18	017-25178-006	Set Guide Shaft	1	
19	017-95072-000	Set Guide Plate Ass'y II; B4	1	B4
19	017-25120-008	*Set Guide Plate II; B4	1	
20	017-60014-105	*Master End Sensor (Send)	1	
21		**Junction Connector; 4P	1	Ref.Pg.II-36
19	017-95073-007	Set Guide Plate Ass'y II; A4	1	A4, L
19	017-25121-004	*Set Guide Plate II; A4	1	
20	017-60014-105	*Master End Sensor (Send)	1	
21		**Junction Connector; 4P	1	Ref.Pg.II-36
22	000-10126-002	Pulley G; Original Feed Roller	1	

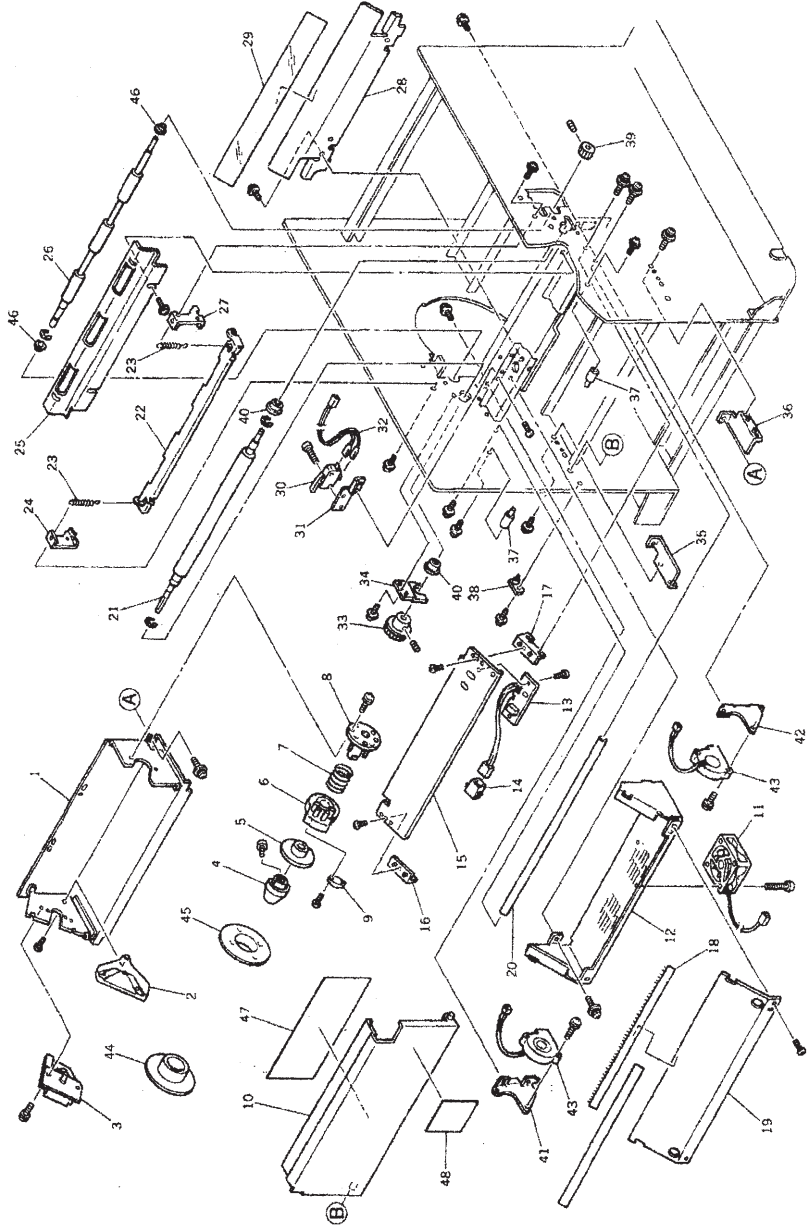
Fig. 31 MASTER-MAKING AREA (2) (GR1700, GR1750, GR2710, GR2750)



No.	Part No.	Part Name	Qty	Remark
	017-95004-005	Unit/Master Making	1700	1700
	017-95003-009	Unit/Master Making	Other	Other
1	011-15056-006	*Spring (Right); M.-M.	1	
2	011-15055-000	*Spring (Left); M.-M.	1	
3	014-15021-000	*Fulcrum III; M.-M.	2	
4	017-55023-104	*Wire Harness; M.-M. -Image	1	1700
4	017-55025-107	*Wire Harness; M.-M. -Image; T40	1	Other
5	443-00120-809	*Micro-SW; E21-91N	2	
6	011-15708-100	*Switch Cam	1	
7	011-15710-008	*Bracket; Micro-SW	1	
8	017-65000-005	*Thermal Pressure Motor III Ass'y	1	
9	011-15117-005	*Cam; Thermal Pressure Motor	1	
10	017-15006-002	*Bracket; De-electricity Brush	1	
11	011-15041-009	*De-electricity Brush	1	
12	017-25005-004	*Frame A; M.-M.	1	
13	607-11000-200	*Metal; F4 x 7 x 6; 10 x 1.5	4	
14	011-15004-006	*Fulcrum; TPH	2	
15	017-15008-005	*Shaft; Load Roller	1	
16	017-15009-001	*Load Roller	3	
17	017-15007-106	*Catch Roller (Upper)	1	
18	011-15704-105	*Bracket; TPH	1	
19	011-15716-006	*Pressure Assist Plate	2	
20	011-15717-002	*Bracket; Pressure Assist Plate; K-TPH	2	1700
20	011-15751-006	*Bracket; Pressure Assist Plate; T-TPH	2	Other
21	011-15718-106	*Spring; TPH Pressure	2	
22	011-15098-000	*Hook Spring	2	
23	017-15015-001	*Open/Close Hook II	1	
24	011-15013-005	*Open/Close Hook	1	
25	011-15010-006	*Shaft; Open/Close Hook	1	
26	019-51008-105	Sub-Power Supply PCB VI H	1	1750, 2750
27	017-55011-203	Wire Harness; S. Power	1	1750, 2750
28	665-02025-601	Wire Saddle; LWS-2N	1	
29	017-15010-000	Cover A; M.-M.	1	
30	550-20671-105	Seal; M.-M.	1	
30	550-20672-101	Seal; M.-M.; Pic.	1	

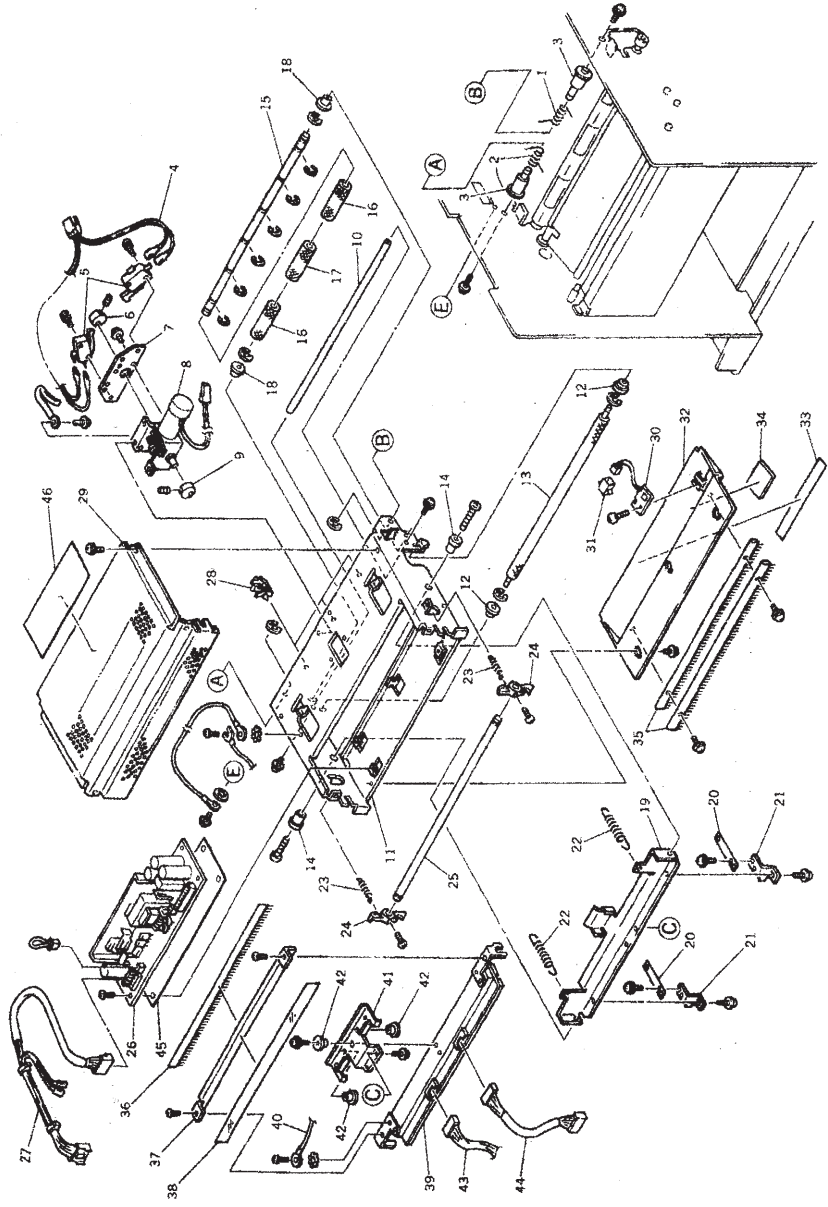
No.	Part No.	Part Name	Qty	Remark
31	017-60015-004	Master End Sensor (Receive)	1	
32		*Junction Connector; 3P	1	Ref.Fg.II-36
33	017-25011-004	Copy Guide Plate II (Lower); B4	1	B4
33	017-25014-003	Copy Guide Plate II (Lower); A4	1	A4, L
34	550-20118-104	TPH Seal	1	
35	014-15013-007	Sheet; Light Absorber; M.-M.	1	
36	011-15051-004	De-electricity Bar; M.-M.	2	
37	019-55027-007	Wire Harness; TPH-Power	1	1750, 2750
37	019-55050-203	Wire Harness; S. Power N	1	1700, 2710
	017-95042-004	TPH Ass'y; T400 GR	1	1750, 2750
38		*TPH 260 R22 Ass'y	1	
39	011-15034-002	*Bracket; De-electricity Brush; T-TPH	1	
40	011-15035-009	*Protection Sheet A; TPH	1	
41	011-15036-005	*De-electricity Brush; TPH	1	
42	488-90003-101	*Ground Wire; U3-100-R3	1	
	017-95043-000	TPH Ass'y; T300GR	1	2710
38		*TPH 260 R21 Ass'y	1	
39	011-15034-002	*Bracket; De-electricity Brush; T-TPH	1	
40	011-15035-009	*Protection Sheet A; TPH	1	
41	011-15036-005	*De-electricity Brush; TPH	1	
42	488-90003-101	*Ground Wire; U3-100-R3	1	
	017-95044-007	TPH Ass'y; K300GR	1	1700
38		*TPH 260-12MG-T-RS	1	
39	011-15734-004	*Bracket; De-electricity Brush; K-TPH	1	
40	011-15035-009	*Protection Sheet A; TPH	1	
41	011-15733-008	*De-electricity Brush; K-TPH	1	
42	488-90003-101	*Ground Wire; U3-100-R3	1	

Fig. 32 MASTER-MAKING AREA (1) (GR3750)



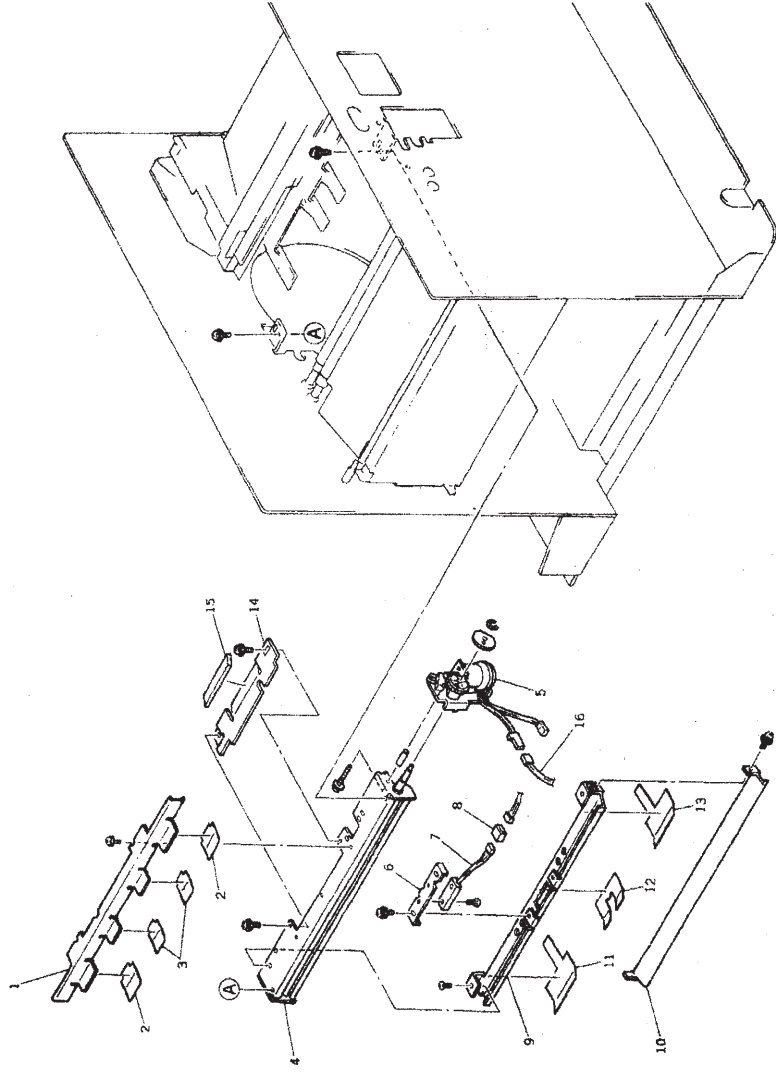
No.	Part No.	Part Name	Q'ty	Remark	No.	Part No.	Part Name	Q'ty	Remark
1	019-95200-100	Unit/Master Roll Holder; A3	1		31	014-15179-002	*Bracket; Micro-SW; M. -M.	1	
2	019-25201-002	*Master Roll Holder; A3	1		32	019-55004-007	*Wire Harness; Master Loading Unit SW	1	
3	017-15281-003	*Guide Holder D; Master Holder	1		33	000-10126-002	Pulley G; Original Feed Roller	1	
4	019-95220-101	*Dumper Gear Ass'y	1		34	014-15182-003	Fixing Plate; Pulley G	1	
5	019-95210-106	*Guide Flange Ass'y A3	1		35	017-15214-004	Holder Stay F	1	
6	019-15277-000	**Guide Flange; Master Holder	1		36	011-15001-007	Holder Stay R	1	
7	019-15269-008	**Dumper Gear	1		37	011-15001-007	Support Shaft	2	
8	019-15270-006	**Dumper Case	1		38	014-15214-002	Set Plate; Cover	1	
9	019-15273-005	**Spring; Master Holder	1		39	011-15110-000	Pulley; Loading Roller (Lower)	1	
10	019-15274-001	**Shaft Flange; Master Holder	1		40	600-50059-017	Bearing; FLW698ZZ	2	
11	610-00006-008	**HG Damper; 2G50-J	1		41	017-24152-100	Bracket F; Master Removal Fan	1	
12	014-15210-201	Cover; Master Roll Holder	1		42	017-24153-107	Bracket R; Master Removal Fan	1	
13	019-95095-005	Stocker Ass'y; A3	1		43	019-65005-001	Master Removal Fan	2	
14	017-65011-007	*Loading Fan; Stocker	1		44	019-15281-105	Flange F; Master Roll	1	
15	019-25111-003	*Stocker	1		45	019-15282-101	Flange R; Master Roll	1	
16	019-95070-002	Set Guide Plate Ass'y; A3	1		46	607-15000-809	Metal; FB x 16 x 6; 18 x 2	2	
17	017-60014-105	*Master End Sensor (Send)	1		47	550-20987-005	Seal; Setting Master	1	
18	019-25121-009	*Set Guide Plate; A3	1	Ref.Pg.II-38	48	550-21073-007	Seal; P. -Rcv. -1.; Caution	1	
19	014-15175-007	Stay L; Set Guide Plate	1						
20	014-15174-000	Stay R; Set Guide Plate	1						
21	014-15106-005	De-electricity Brush; A3	1						
22	019-25112-000	Stocker Cover	1						
23	014-15178-200	Set Guide Shaft	1						
24	014-95076-101	Write Roller; A3	1						
25	014-15131-107	Master Guide Plate; A3	1						
26	014-15146-007	Spring; Master Guide Plate	2						
27	014-15144-101	Spring Hanger L; Master Guide Plate	1						
28	014-15191-100	Guide Plate; Load; A3	1						
29	014-15102-000	Load Roller (Lower); M. -M.	1						
30	014-15145-108	Spring Hanger R; Master Guide Plate	1						
31	019-24126-007	Bracket; Aero Guide Sheet	1						
32	019-24127-100	Aero Guide Sheet; A3	1						
33	019-95010-000	Master Loading Unit SW Ass'y	1						
34	443-00120-501	*Micro-SW; E21-511N	1						

Fig. 33 MASTER-MAKING AREA (2) (GR3750)



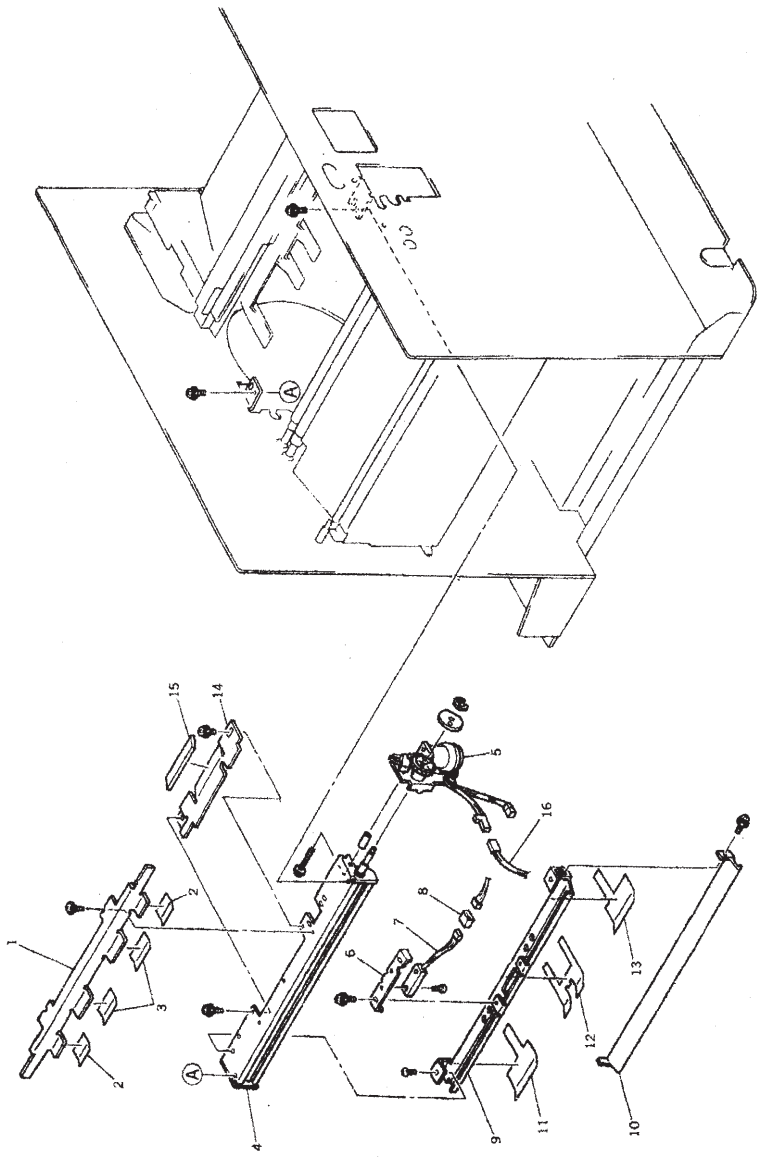
No.	Part No.	Part Name	Q'ty	Remark	No.	Part No.	Part Name	Q'ty	Remark
1	019-96000-004	Unit/Master Making; A3	1		35	014-15011-004	De-electricity Bar; M.-M.; A3	2	
2	011-15056-006	*Spring (Right); M.-M.	1		36	019-95035-002	TPH Ass'y; T40DA3	1	
3	014-15021-000	*Spring (Left); M.-M.	1		37	014-15033-008	*De-electricity Brush; TPH; A3	1	
4	017-55025-107	*Fulcrum III; M.-M.	2		38	014-15034-101	*Bracket; De-electricity Brush; TPH; A3	1	
5	443-00120-609	*Wire Harness; M.-M.; Imagg; T40	1		39		*Protection Sheet A; TPH; A3	1	
6	011-15708-100	*Micro-SW; E21-91N	2		40	488-90003-101	*TPH	1	
7	011-15710-008	*Switch Cam	1		41	019-25020-008	*Ground Wire; U3-100-R3	1	
8	017-66000-005	*Bracket; Micro-SW	1		42	019-25021-004	*Set Plate; TPH	1	
9	011-15117-005	*Thermal Pressure Motor III Ass'y	1		43	017-55025-107	*TPH Boss	3	
10	014-15028-004	*Cam; Thermal Pressure Motor	1		44	019-55027-007	Wire Harness; M.-M. - Image; T40	1	
11	019-25001-003	*Reinforce Shaft	1		45	017-17240-002	Sheet; Sub-Power Supply PCB	1	
12	807-11000-200	*Frame A; M.-M.	1		46	550-20671-105	Seal; M.-M.	1	
13	014-15018-009	*Metal; F4 x 7 x 6; 10 x 1.5	2		46	550-20672-101	Seal; M.-M.; Pic.	1	
14	011-15004-006	*Catch Roller (Upper); A3	1						
15	019-25007-001	*Fulcrum; TPH	2						
16	017-15009-001	*Shaft; Load Roller	1						
17	014-15007-007	*Load Roller	2						
18	807-13000-607	*Metal; F6 x 9 x 7; 11 x 1	1						
19	014-15004-008	*Bracket; TPH; A3	2						
20	014-15022-006	*Pressure Assist Plate	1						
21	014-15020-100	*Bracket; Pressure Assist Plate	2						
22	011-15718-106	*Spring; TPH Pressure	2						
23	011-15098-000	*Hook Spring	2						
24	011-15013-005	*Open/Close Hook	2						
25	014-15008-003	*Shaft; Open/Close Hook; A3	1						
26	019-51008-105	*Sub-Power Supply PCB VI H	1						
27	017-55011-203	Wire Harness; S. Power	1						
28	685-02025-601	Wire Saddle; LWS-2N	1						
29	019-25010-002	Cover A; M.-M.	1						
30	017-60015-004	Master End Sensor (Receive)	1						
31		*Junction Connector; 3P	1	Ref. Pg. II-36					
32	019-25011-009	Copy Guide Plate (Lower)	1						
33	550-20118-104	TPH Seal	1						
34	014-15013-007	Sheet; Light Absorber; M.-M.	1						

Fig. 34 CUTTER UNIT (GR1700, GR1750, GR2710, GR2750)



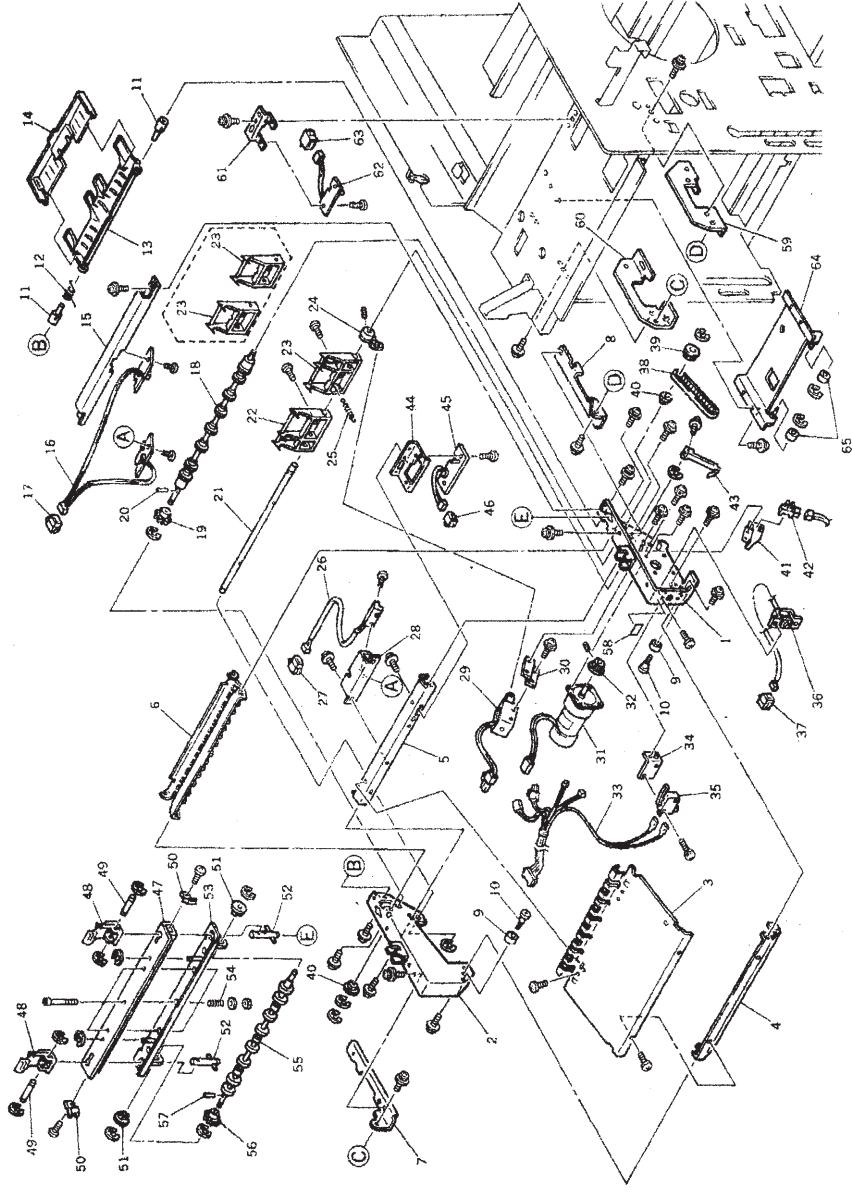
No.	Part No.	Part Name	Q'ty	Remark	No.	Part No.	Part Name	Q'ty	Remark
1	011-95111-002	Cutter Cover A Ass'y	1						
2	011-15047-104	*Cutter Cover A	1						
3	011-15049-000	*Set Sheet B	2						
4	011-15048-003	*Set Sheet A	2						
	017-95302-103	Unit/Cutter II; B4							
	017-95303-002	Unit/Cutter II; A4							
5	019-65008-108	*Cutter Body	1						
6	019-25309-008	**Cutter Motor Ass'y	1						
7	017-15306-006	**Gear; Cutter Motor	1						
8	017-60000-007	*Bracket; Master Positioning Sensor	1						
9	017-15303-201	*Master Positioning Sensor	1						
10	011-15176-109	*Junction Connector; 3P	1	Ref.Pg.II-36					
11	017-25303-102	*Cutter Cover	1						
12	017-25302-203	*Cutter Guide IV	1						
13	017-25304-206	*Cutter Guide Sheet (F)	1						
14	017-15310-003	*Cutter Center Guide Sheet	1						
15	017-15311-107	*Cutter Guide Sheet (R)	1						
16	019-55042-006	*Master Guide Stopper Plate	1						
		*Master Guide Stopper Cushion	1						
		Wire Harness; Cutter Motor	1						

Fig. 35 CUTTER UNIT (GR3750)



No.	Part No.	Part Name	Qty	Remark
	019-95100-009	Set Sheet Plate Ass'y; A3		
1	019-25115-009	*Set Sheet Plate; A3	1	
2	019-25118-005	*Set Sheet	2	
3	014-15116-205	*Set Sheet E	2	
4	019-95300-105	Unit/Cutter; A3		
5	019-65008-108	**Cutter Motor Ass'y	1	
6	019-25309-008	**Gear; Cutter Motor	1	
7	017-15306-006	*Bracket; Master Positioning Sensor	1	
8	017-60000-007	*Master Positioning Sensor	1	
9	019-25301-104	*Junction Connector; 3P	1	Ref.Pg.II-36
10	019-25307-005	*Cutter Cover	1	
11	019-25304-103	*Cutter Guide	1	
12	019-25302-208	*Cutter Guide Sheet (F)	1	
13	019-25308-001	*Cutter Center Guide Sheet	1	
14	019-25306-002	*Cutter Guide Sheet (R)	1	
15	019-25306-009	*Master Guide Stopper Plate	1	
16	019-55042-006	*Master Guide Stopper Cushion Wire Harness; Cutter Motor	1	

Fig. 36 MASTER REMOVAL UNIT (GR1700, GR1750)

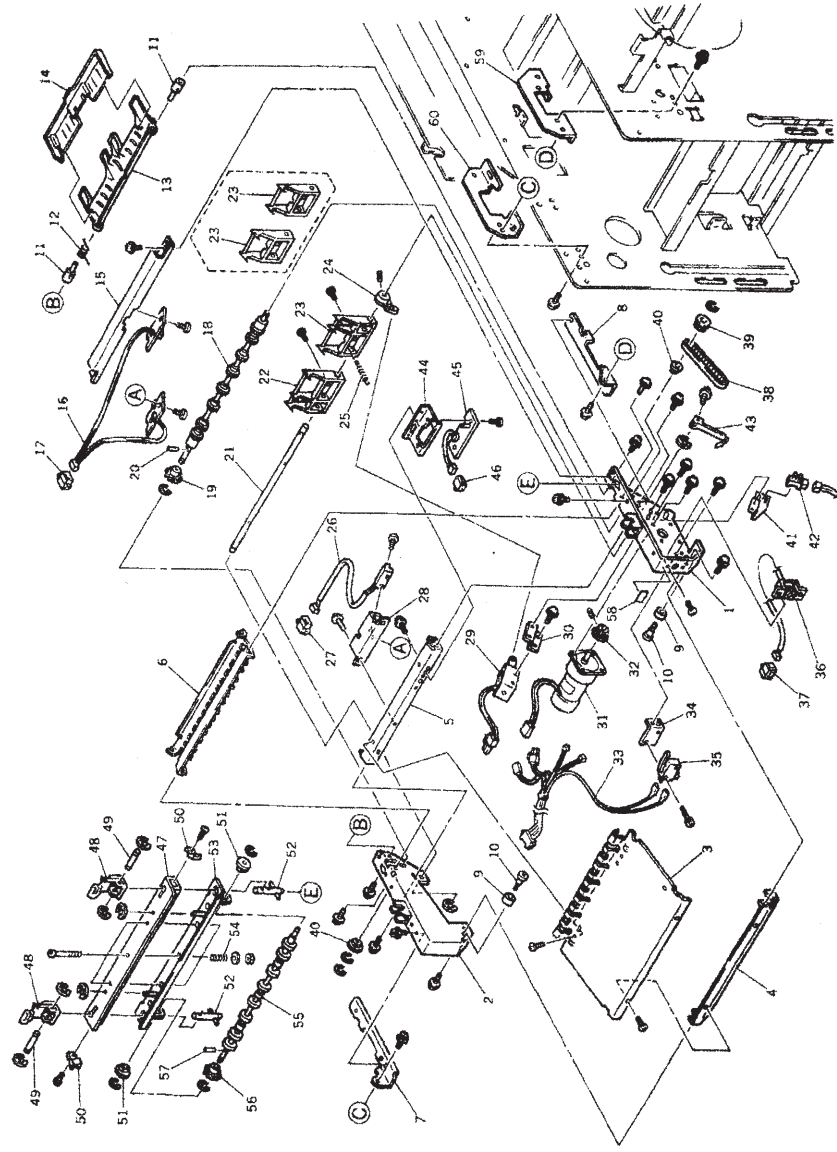


No.	Part No.	Part Name	Qty	Remark
	017-94105-002	Unit/Master Removal II	B4	
1	017-94106-009	*Right-Side Frame; M. -Rmv.	A4, L	
2	017-24104-106	*Left-Side Frame; M. -Rmv.	1	
3	017-14105-308	*Base Plate; M. -Rmv.; B4	1	B4
4	017-14106-000	*Stay B; M. -Rmv.; A4	1	A4, L
5	017-24106-001	*Stay A; M. -Rmv.	1	
6	017-14106-100	*Guide Plate; M. -Rmv.; B4	1	B4
7	017-14127-108	*Guide Plate; M. -Rmv.; A4	1	A4/L
8	017-24111-005	*Set Plate F; M. -Rmv.	1	
9	017-14114-006	*Set Collar; M. -Rmv.	2	
10	017-14115-002	*Screw; M. -Rmv.	2	
11	017-14116-009	*Fulcrum; Master Guide; M. -Rmv.	2	
12	017-14121-002	*Spring; Master Guide; M. -Rmv.	1	
13	017-14120-200	*Master Guide; M. -Rmv.	1	
14	017-14172-200	*Guide Plate; M. -Rmv.	1	
15	017-14124-109	*Upper Stay; M. -Rmv.	1	
16	017-60001-208	*Master Removal Sensor	1	
17	017-14107-204	**Junction Connector; 5P	1	Ref.Pg.II-36
18	017-14128-201	*Vertical Transport Roller (Down)	1	B4
19	612-03103-009	*Gear B; 1.25 x 14	1	A4, L
20	017-24115-000	*Pin; ϕ 2.5 x 8	1	Ref.Pg.II-36
21	017-24116-000	*Shaft II; M. -Rmv. Hook; B4	1	B4
22	017-24116-007	*Shaft I; M. -Rmv. Hook; A4	1	A4, L
23	011-14169-001	*Master Removal Hook (Right); B4	1	B4
24	011-14168-005	*Master Removal Hook (Left); B4	1	B4
25	007-17121-104	*Master Removal Hook	2	A4
26	011-14115-009	*Linking Plate; M. -Rmv. Hook	1	
27	000-10148-030	*Spring B	1	
28	017-60037-105	*Master Sensor II	1	
29	017-14111-201	**Junction Connector; 3P	1	Ref.Pg.II-36
30	017-14111-201	*Sensor Bracket; M. -Rmv.	1	
31	011-65018-300	*Master Removal Solenoid	1	
32	017-14122-106	*Bracket; M. -Rmv. Solenoid	1	
33	017-69003-004	*M. -Rmv. Vertical Transport Motor	1	
34	002-4517-000	*Pulley; Duct	1	
35	019-55005-003	*Wire Harness; M. -Rmv.	1	
36	011-14408-006	*Bracket; Disposal Box SW	1	
37	443-00121-109	*Micro-SW; 21-52N	1	
38	017-60010-002	*Switch A	1	Ref.Pg.II-36
39	620-32916-002	**Junction Connector; 2P	1	
40	011-14121-106	*Belt; 291-3M-6	1	
41	607-13900-402	*Pulley B; M. -Rmv.	1	
42	017-24110-009	*Metal; F6 x 10/9 x 6; 12 x 1.5	2	
43	443-30005-006	*Bracket; M. -Rmv. Hook Sensor	1	
44	017-24109-108	*Sensor; GP1A71A	1	
45	017-24108-101	*Actuator; M. -Rmv. Hook Sensor	1	
46	019-60001-008	*Bracket; Disposal Box Master Sensor	1	
	017-94115-105	*Disposal Box Master Sensor (Rcv.)	1	
	017-94116-004	**Junction Connector; 3P	1	Ref.Pg.II-36
	017-94116-004	Holder Assy II; V.-Transport Roller	B4	
	017-24135-001	Holder Assy II; V.-Transport Roller	A4, L	
	017-24138-104	*Upper Holder A; V.-Transport Roller	1	
	017-24140-005	*Knob; M. -Rmv.	2	
	607-13000-003	*Knob Shaft; M. -Rmv.	2	
	017-24138-000	*Lock Plate	2	
	607-13000-003	*Metal; F6 x 10/9 x 4; 12 x 1.5	2	
	017-24138-000	*Guide Boss; M. -Rmv.	2	
	017-24131-200	*Upper Holder B; V.-Transport Roller	1	
	007-14113-100	*Spring; Vertical Transport	3	
	017-14138-100	*Vertical Transport Roller (UP); B4	1	B4
	017-14141-100	*Vertical Transport Roller (UP); A4	1	A4, L
	612-03103-009	*Gear B; 1.25 x 14	1	
		*Pin; ϕ 2.5 x 8	1	Ref.Pg.II-36
	550-20089-108	Seal; P. -F. -T. Down	1	
	017-24113-008	Fixing Plate F; M. -Rmv.	1	
	017-24114-004	Fixing Plate R; M. -Rmv.	1	

No.	Part No.	Part Name	Q'ty	Remark
61	017-24163-005	Bracket; Disposal Box Master Sensor	1	
62	019-60000-001	Disposal Box Master Sensor	1	
63		*Junction Connector; 3P	1	Ref.Pg.II-36
64	017-24161-002	Disposal Box Guide II	1	
65	017-24151-007	Guide Collar; Disposal Box Guide	2	

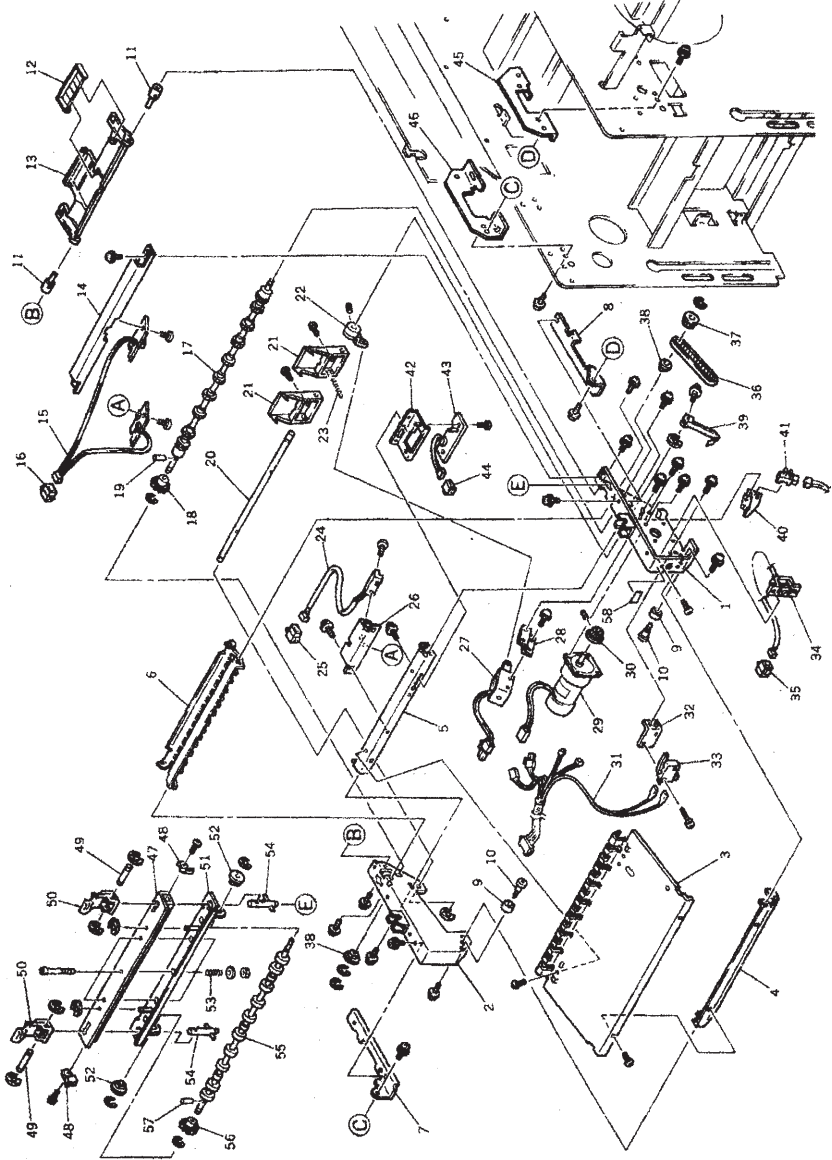
MEMO

Fig. 37 MASTER REMOVAL UNIT (GR2710, GR2750)



No.	Part No.	Part Name	Q'ty	Remark
	017-94105-002	Unit/Master Removal II	B4	
	017-94106-009	Unit/Master Removal II; A4	A4, L	
1	017-24101-107	*Right-Side Frame; M. -Rmv.	1	
2	017-24104-106	*Left-Side Frame; M. -Rmv.	1	
3	017-14105-309	*Base Plate; M. -Rmv.; B4	B4	
3	017-14126-306	*Base Plate; M. -Rmv.; A4	A4, L	
4	017-14104-000	*Stay B; M. -Rmv.	1	
5	017-24106-001	*Stay A; M. -Rmv.	1	
6	017-14106-100	*Guide Plate; M. -Rmv.; B4	1	
6	017-14127-108	*Guide Plate; M. -Rmv.; A4	1	
7	017-24112-001	*Set Plate R; M. -Rmv.	1	
8	017-24111-005	*Set Plate F; M. -Rmv.	1	
9	017-14114-006	*Set Collar; M. -Rmv.	2	
10	017-14115-002	*Screw; M. -Rmv.	2	
11	017-14116-009	*Fulcrum; Master Guide; M. -Rmv.	2	
12	017-14121-002	*Spring; Master Guide; M. -Rmv.	1	
13	017-14120-200	*Master Guide; M. -Rmv.	1	
14	017-14172-200	*Guide Plate; M. -Rmv.	1	
15	017-14124-109	*Upper Stay; M. -Rmv.	1	
16	017-60001-208	*Master Removal Sensor	1	
17		** Junction Connector; 5P	1	Ref.Pg.II-36
18	017-14107-204	*Vertical Transport Roller (Down)	1	B4
18	017-14128-201	*Vertical Transport Roller (Down); A4	A4, L	
19	612-03103-009	*Gear B; 1.25 x 14	1	
20		*Pin; ϕ 2.5 x 8	1	Ref.Pg.II-36
21	017-24115-000	*Shaft II; M. -Rmv. Hook; B4	1	B4
21	017-24116-007	*Shaft II; M. -Rmv. Hook; A4	A4, L	
22	011-14169-001	*Master Removal Hook (Right); B4	1	B4
23	011-14168-005	*Master Removal Hook (Left); B4	1	B4
23	007-17121-104	*Master Removal Hook	2	A4
24	011-14115-009	*Linking Plate; M. -Rmv. Hook	1	
25	000-10148-030	*Spring B	1	
26	017-60037-105	*Master Sensor II	1	
27		** Junction Connector; 3P	1	Ref.Pg.II-36
28	017-14111-201	*Sensor-Bracket; M. -Rmv.	1	
29	011-65018-300	*Master Removal Solenoid	1	
30	017-14122-106	*Bracket; M. -Rmv. Solenoid	1	
31	017-65003-004	*M. -Rmv. Vertical Transport Motor	1	
32	002-14517-000	*Pulley; Duct	1	
33	019-55005-003	*Wire Harness; M. -Rmv.	1	
34	011-14408-006	*Bracket; Disposal Box SW	1	
35	443-00121-109	*Micro-SW; 21-52N	1	
36	017-60010-002	*Switch A	1	
37		** Junction Connector; 2P	1	Ref.Pg.II-36
38	620-32916-002	*Belt; 291-3M-6	1	
39	011-14121-106	*Pulley B; M. -Rmv.	1	
40	607-13000-402	*Metal; F6 x 10/9 x 6; 12 x 1.5	2	
41	017-24110-009	*Bracket; M. -Rmv. Hook Sensor	1	
42	443-30005-006	*Sensor; GPIA71A	1	
43	017-24109-100	*Actuator; M. -Rmv. Hook Sensor	1	
44	017-24108-101	*Bracket; Disposal Box Master Sensor	1	
45	019-60001-008	*Disposal Box Master Sensor (Rcv.)	1	
46		** Junction Connector; 3P	1	Ref.Pg.II-36
	017-94115-105	Holder Assy II; V.-Transport Roller	B4	
	017-94116-004	Holder Assy II; V.-Transport Roller; A4	A4, L	
47	017-24135-001	*Upper Holder A; V.-Transport Roller	1	
48	017-24139-104	*Knob; M. -Rmv.	2	
49	017-24140-005	*Knob Shaft; M. -Rmv.	2	
50	017-24141-001	*Lock Plate	2	
51	607-13000-003	*Metal; F6 x 10/9 x 4; 12 x 1.5	2	
52	017-24138-000	*Guide Boss; M. -Rmv.	2	
53	017-24131-200	*Upper Holder B; V. -Transport Roller	1	
54	007-14113-100	*Spring; Vertical Transport	3	
55	017-14138-100	*Vertical Transport Roller (UP); B4	1	B4
55	017-14141-100	*Vertical Transport Roller (UP); A4	1	A4, L
56	612-03103-009	*Gear B; 1.25 x 14	1	
57		*Pin; ϕ 2.5 x 8	1	Ref.Pg.II-36
58	550-20059-108	Seal; P.-F.-T. Down	1	
59	017-24113-008	Fixing Plate F; M. -Rmv.	1	
60	017-24114-004	Fixing Plate R; M. -Rmv.	1	

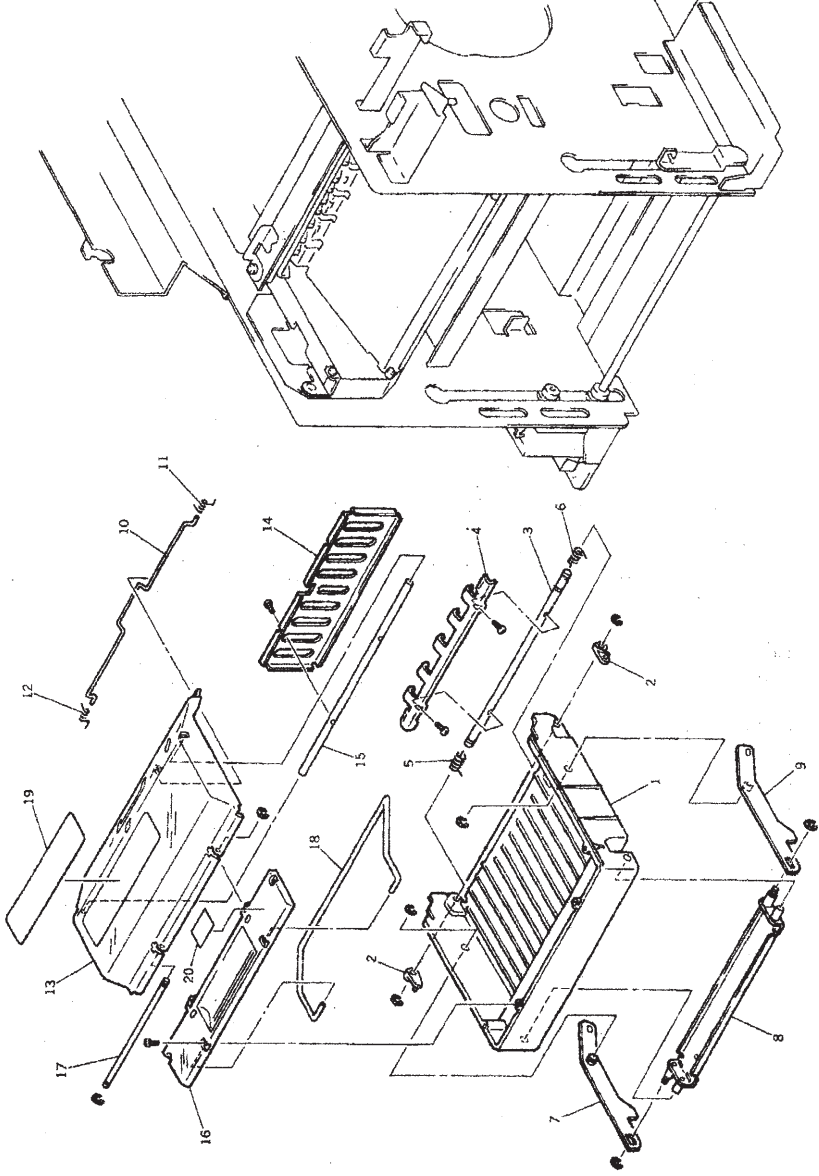
Fig. 38 MASTER REMOVAL UNIT (GR3750)



No.	Part No.	Part Name	Q'ty	Remark
1	019-94100-005	Unit/Master Removal; A3		
1	017-24101-107	*Right-Side Frame; M.-Rmv.	1	
2	017-24104-106	*Left-Side Frame; M.-Rmv.	1	
3	019-24103-007	*Base Plate; M.-Rmv; A3	1	
4	019-24102-108	*Stay B; M.-Rmv.	1	
5	019-24101-004	*Stay A; M.-Rmv.	1	
6	019-24104-100	*Guide Plate; M.-Rmv.; A3	1	
7	017-24112-001	*Set Plate R; M.-Rmv.	1	
8	017-24111-005	*Set Plate F; M.-Rmv.	1	
9	017-14114-006	*Set Collar; M.-Rmv.	2	
10	017-14115-002	*Screw; M.-Rmv.	2	
11	017-14116-009	*Fulcrum; Master Guide; M.-Rmv.	2	
12	017-14111-000	*Guide Plate; M.-Rmv.; A3	1	
13	019-24110-100	*Master Guide; M.-Rmv.; A3	1	
14	019-24108-106	*Upper Stay; M.-Rmv.	1	
15	017-60001-208	*Master Removal Sensor	1	
16	019-24105-000	**Junction Connector; 5P	1	Ref.Pg.II-36
17	019-24115-009	*Vertical Transport Roller (Down); A3	1	
18	612-03103-009	*Gear B; 1.25 x 14	1	
19	019-24107-002	*Pin; φ 2.5 x 8	1	Ref.Pg.II-36
20	019-24107-002	*Shaft; M.-Rmv. Hook; A3	1	
21	007-17121-104	*Master Removal Hook	2	
22	011-14115-009	*Linking Plate; M.-Rmv. Hook	1	
23	000-10148-030	*Spring B	1	
24	017-60037-105	*Master Sensor II	1	
25	017-14111-201	**Junction Connector; 3P	1	Ref.Pg.II-36
26	017-14111-201	*Sensor Bracket; M.-Rmv.	1	
27	011-65018-300	*Master Removal Solenoid	1	
28	017-14122-106	*Bracket; M.-Rmv. Solenoid	1	
29	017-65003-004	*M.-Rmv. Vertical Transport Motor	1	
30	002-14517-000	*Pulley; Duct	1	
31	019-55005-003	*Wire Harness; M.-Rmv.	1	
32	011-14408-006	*Bracket; Disposal Box SW	1	
33	443-00121-109	*Micro-SW; Z1-52N	1	
34	017-60010-002	*Switch; A	1	

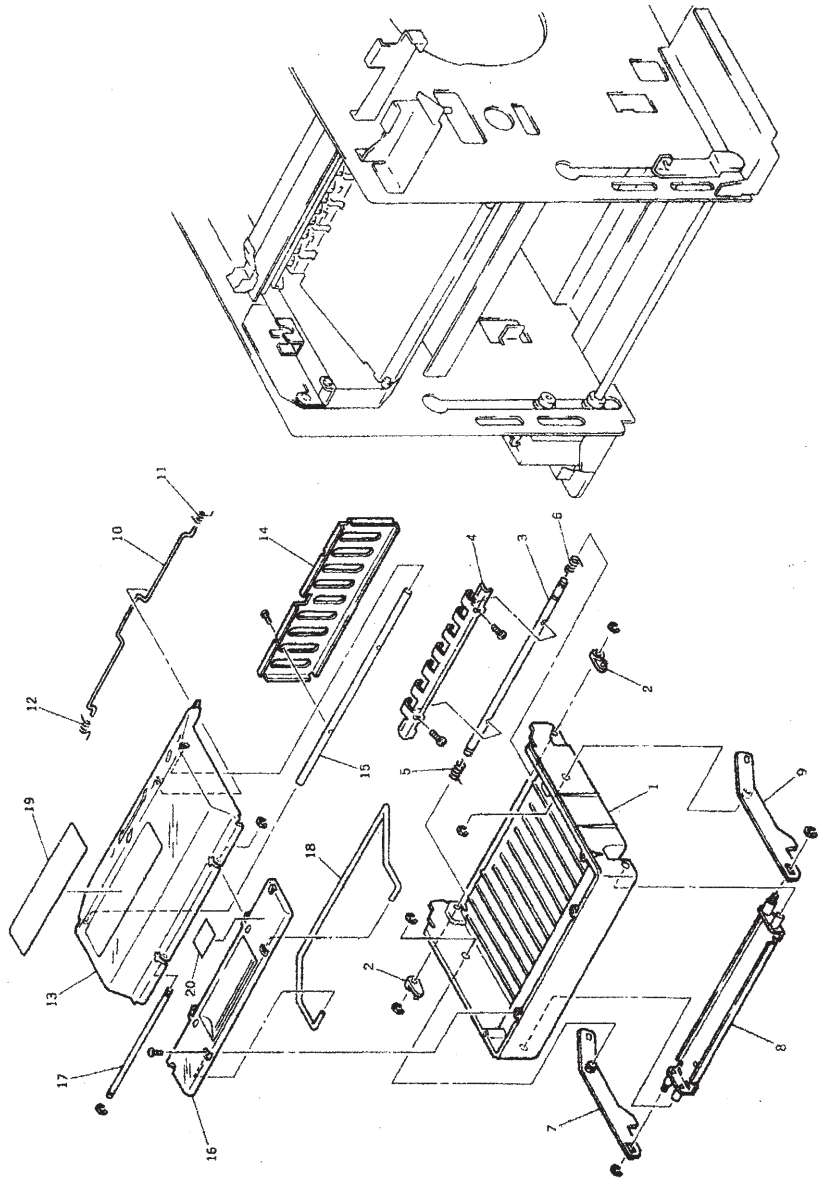
No.	Part No.	Part Name	Q'ty	Remark
35	620-32916-002	**Junction Connector; 2P	1	Ref.Pg.II-36
36	620-32916-002	*Belt; 291-3M-6	1	
37	011-14121-106	*Pulley B; M.-Rmv.	1	
38	607-13000-402	*Metal; F6 x 10/9 x 6; 12 x 1.5	2	
39	017-24109-108	*Actuator; M.-Rmv. Hook Sensor	1	
40	017-24110-009	*Bracket; M.-Rmv. Hook Sensor	1	
41	443-30005-008	*Sensor; GP1A71A	1	
42	017-24108-101	*Bracket; Disposal Box Master Sensor	1	
43	019-60001-008	*Disposal Box Master Sensor (Rcv.)	1	
44	017-60001-008	**Junction Connector; 3P	1	Ref.Pg.II-36
45	017-24113-008	Fixing Plate F; M.-Rmv.	1	
46	017-24114-004	Fixing Plate R; M.-Rmv.	1	
47	019-94115-100	Holder Ass'y; V.-Transport Roller; A3	1	
48	019-24116-001	*Upper Holder A; V.-Transport Roller; A3	1	
48	017-24141-001	*Lock Plate	2	
49	017-24140-005	*Knob Shaft; M.-Rmv.	2	
50	017-24139-104	*Knob; M.-Rmv.	2	
51	019-24112-103	*Upper Holder B; V.-Transport Roller; A3	1	
52	607-13000-003	*Metal; F6 x 10/9 x 4; 12 x 1.5	2	
53	007-14113-100	*Spring; Vertical Transport	3	
54	017-24138-000	*Guide Boss; M.-Rmv.	2	
55	019-24119-000	*Vertical Transport Roller (UP); A3	1	
56	612-03103-009	*Gear B; 1.25 x 14	1	
57	550-20059-108	*Pin; φ 2.5 x 8	1	Ref.Pg.II-36
58	550-20059-108	Seal; P.-F.-T. Down	1	

Fig. 39 MASTER DISPOSAL BOX (GR1700, GR1750, GR2710, GR2750)



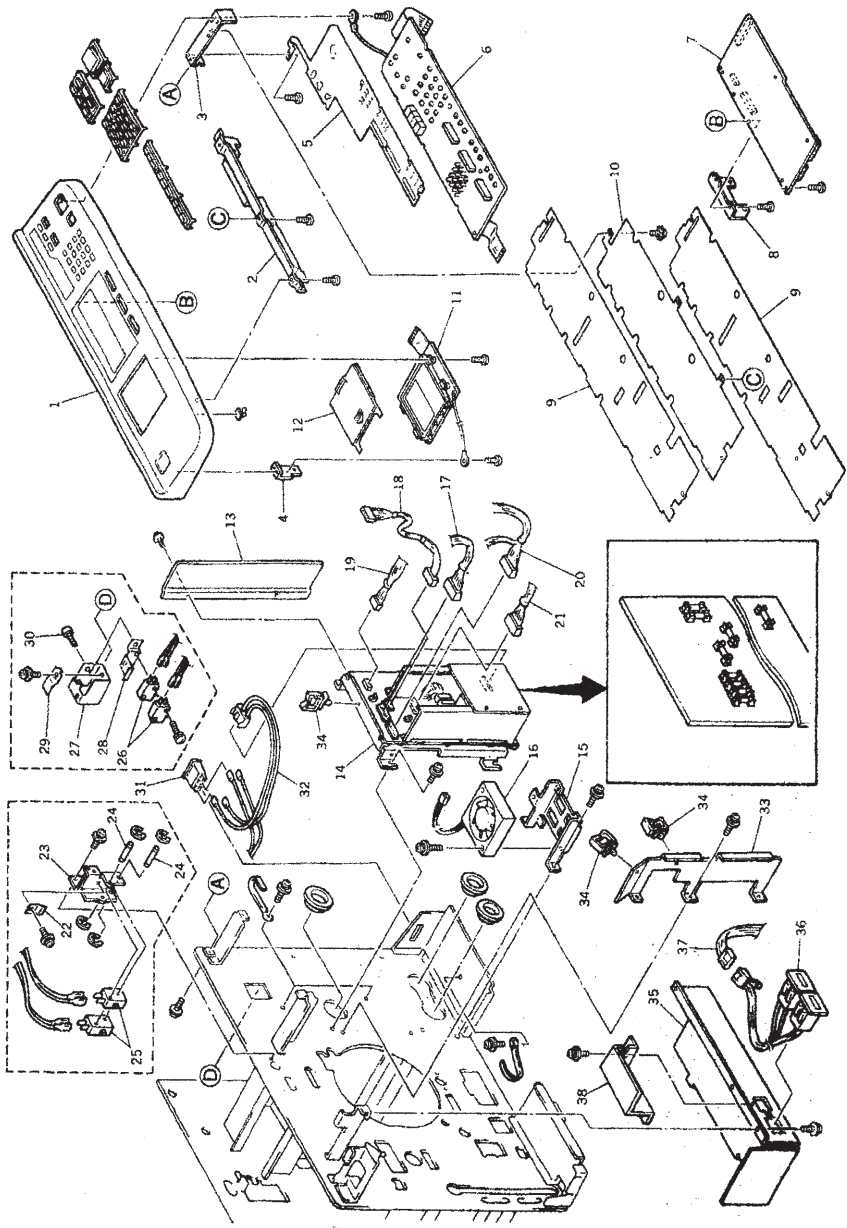
No.	Part No.	Part Name	Q'ty	Remark	No.	Part No.	Part Name	Q'ty	Remark
	017-94130-210	Unit/Master Disposal Box; B4							
	017-94135-108	Unit/Master Disposal Box; A4							
1	017-14151-408	*Disposal Box	1						
2	011-14421-207	*Guide Cam; Disposal Box	2						
3	017-14162-000	*Guide Shaft; Disposal Box	1						
4	017-14154-008	*Guide Plate; Disposal Box; B4	1						
4	017-14171-000	*Guide Plate; Disposal Box; A4	1						
5	011-14422-203	*Guide Spring; Disposal Box	1						
6	017-14167-002	*Guide Spring B; Disposal Box	1						
7	017-14161-101	*H. -Lever (R); Disposal Box	1						
8	017-14155-004	*Lever Frame; Disposal Box	1						
9	017-14159-107	*H. -Lever (F); Disposal Box	1						
10	011-14427-000	*Lock Shaft; Disposal Box	1						
11	011-14428-007	*Lock Spring (Right)	1						
12	011-14429-003	*Lock Spring (Left)	1						
13	017-14152-200	*Disposal Box Cover	1						
14	017-14166-103	*Compression Plate; Disposal Box	1						
15	017-14165-107	*Shaft; Compression Plate	1						
16	017-14153-109	*Disposal Box Cover B	1						
17	014-14469-007	*Shaft; Disposal Box Cover; A3	1						
18	017-14163-007	*Disposal Shaft	1						
19	550-20690-002	Seal; Master Disposal	1						
19	550-20691-009	Seal; Master Disposal; Pic.	1						
20	550-20693-001	Seal; Set Disposal Box	1						
20	550-20694-008	Seal; Set Disposal Box; Pic.	1						

Fig. 40 MASTER DISPOSAL BOX (GR3750)



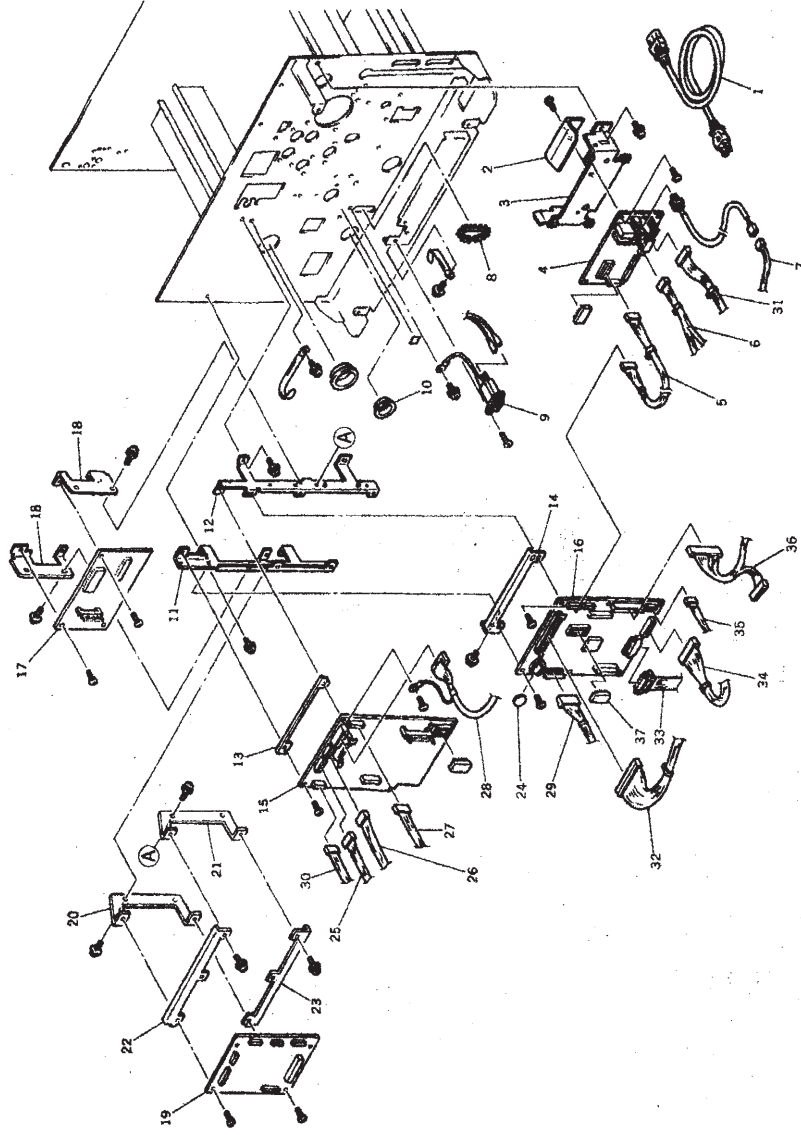
No.	Part No.	Part Name	Q'ty	Remark	No.	Part No.	Part Name	Q'ty	Remark
	019-94130-001	Unit/Master Disposal Box; A3							
1	019-24131-000	*Disposal Box; A3	1						
2	011-14421-207	*Guide Cam; Disposal Box	2						
3	019-24137-009	*Guide Shaft; Disposal Box; A3	1						
4	019-24134-000	*Guide Plate; Disposal Box; A3	1						
5	011-14422-203	*Guide Spring; Disposal Box	1						
6	017-14167-002	*Guide Spring B; Disposal Box	1						
7	017-14161-101	*H. -Lever (R); Disposal Box	1						
8	019-24135-006	*Lever Frame; Disposal Box; A3	1						
9	017-14159-107	*H. -Lever (F); Disposal Box	1						
10	014-14465-001	*Lock Shaft; Disposal Box; A3	1						
11	011-14428-007	*Lock Spring (Right)	1						
12	011-14429-003	*Lock Spring (Left)	1						
13	019-24132-007	*Disposal Box Cover; A3	1						
14	017-14166-103	*Compression Plate; Disposal Box	1						
15	019-24138-005	*Shaft; Compression Plate; A3	1						
16	019-24133-003	*Disposal Box Cover B; A3	1						
17	014-14469-007	*Shaft; Disposal Box Cover; A3	1						
18	017-14163-007	*Disposal Shaft	1						
19	550-20690-002	Seal; Master Disposal	1						
19	550-20691-009	Seal; Master Disposal; Pic.	1						
20	550-20693-001	Seal; Set Disposal Box	1						
20	550-20694-008	Seal; Set Disposal Box; Pic.	1						

Fig. 41 ELECTRICAL COMPONENT AREA (1) (GR1700, GR1750, GR2710)



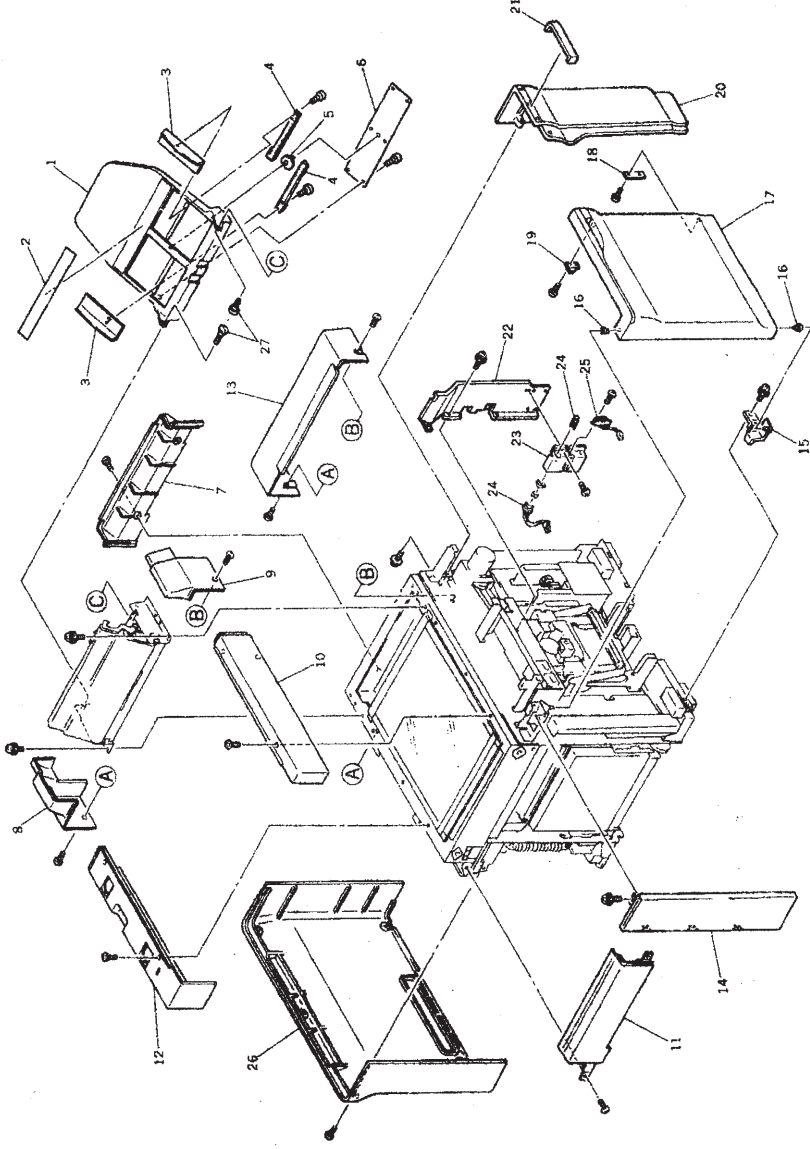
No.	Part No.	Part Name	Q'ty	Remark
	017-97041-005	Unit/Operation Panel; 1700		
	017-97039-000	Unit/Operation Panel; 1700 US		
	017-97040-009	Unit/Operation Panel; 1700 Pic.		
	017-97038-004	Unit/Operation Panel; 1750		
	017-97036-001	Unit/Operation Panel; 1750 US		
	017-97037-008	Unit/Operation Panel; 1750 Pic.		
	018-97023-004	Unit/Operation Panel; 2710		
	018-97022-008	Unit/Operation Panel; 2710 Pic.		
	017-97156-007	*Key Board Cover; 1700	1	
	017-97154-004	*Key Board Cover; 1700 US	1	
	017-97155-000	*Key Board Cover; 1700 Pic.	1	
	017-97153-008	*Key Board Cover; 1750	1	
	017-97151-005	*Key Board Cover; 1750 US	1	
	017-97152-001	*Key Board Cover; 1750 Pic.	1	
	018-97157-000	*Key Board Cover; 2710	1	
	018-97156-004	*Key Board Cover; 2710 Pic.	1	
	019-17090-102	*Reinforce Plate; Panel	1	
	017-17051-005	*Bracket B; Keyboard	1	
	017-17050-009	*Bracket A; Keyboard	1	
	019-17008-007	*Mylar Sheet; Panel SW	1	
	017-51028-004	*GR LED PCB II	1	1700
	018-51008-000	*GR LED PCB	1	1750, 2710
	017-51029-108	*LED CTL PCB II	1	1700
	018-51007-101	*LED CTL PCB	1	1750, 2710
	019-17086-100	*Grand Plate; Panel	1	
	019-17010-109	*Sheet A; Panel	2	
	019-17009-100	*Sheet B; Panel	1	
	017-97096-004	*Sub-Panel Ass'y; 1700	1	
	017-97094-001	*Sub-Panel Ass'y; 1700 US	1	
	017-97095-008	*Sub-Panel Ass'y; 1700 Pic.	1	
	017-97093-005	*Sub-Panel Ass'y; 1750	1	
	017-97091-002	*Sub-Panel Ass'y; 1750 US	1	
	017-97092-009	*Sub-Panel Ass'y; 1750 Pic.	1	
	018-97088-009	*Sub-Panel Ass'y; 2710	1	
	018-97087-002	*Sub-Panel Ass'y; 2710 Pic.	1	
	019-17011-006	*Door; Panel	1	
	019-18122-105	Side Cover; Power Supply	1	
	019-51022-000	Power Supply PCB VI N 100	1	1700, 2710
	019-51006-005	Power Supply PCB VI H 100	1	1750
	019-51023-104	Power Supply PCB VI N 200	1	1700, 2710
	019-51007-109	Power Supply PCB VI H 200	1	1750
	019-17242-107	Bracket; Power Supply Fan	1	
	019-65003-009	Fan; Power Supply	1	
	019-55007-006	Wire Harness; Panel - Power	1	
		*Wire Harness; System - Power	1	
		*Wire Harness; Motor Con. - Power	1	
		*Wire Harness; Image - Power	1	
	017-55011-203	Wire Harness; S. Power N	1	1750
	019-55050-203	Wire Harness; S. Power N	1	1700, 2710
	017-98200-002	Interlock Switch	1	1700, 1750
	017-16244-101	*Plate Spring; Interlock Switch	1	
	017-16253-100	*Bracket; Interlock Switch	1	
	017-16245-000	*Shaft; Interlock Switch	2	
	443-00210-004	*Micro-SW; DDIL-A1AA	2	
	019-96105-101	Interlock Switch; FB	2	2710
	443-00210-004	*Micro-SW; DDIL-A1AA	2	
	019-16236-103	*Bracket; Interlock Switch FB	1	
	018-16239-105	*Bracket B; Interlock Switch FB	1	
	018-16254-007	*Plate Spring; Interlock Switch FB	1	
	635-19404-003	*Stapped Screw; M4 x 4.5	1	
	443-12000-005	Power Switch; JWZ2120-2001	1	
	019-55025-004	Inlet Terminal; 100V	1	
	019-55026-000	Inlet Terminal; 200V	1	
	017-17233-103	Cover Plate; Power Supply	1	
	665-02025-504	Wire Saddle; WS-4W	3	
	019-17209-002	Bracket; Counter; En	1	
	019-17210-000	Bracket; Counter; Pic.	1	
	011-65022-200	Counter	1	
	019-55029-000	Wire Harness; CN14	1	
	014-17207-100	Back Cover; Counter	1	

Fig. 43 ELECTRICAL COMPONENT AREA (2)



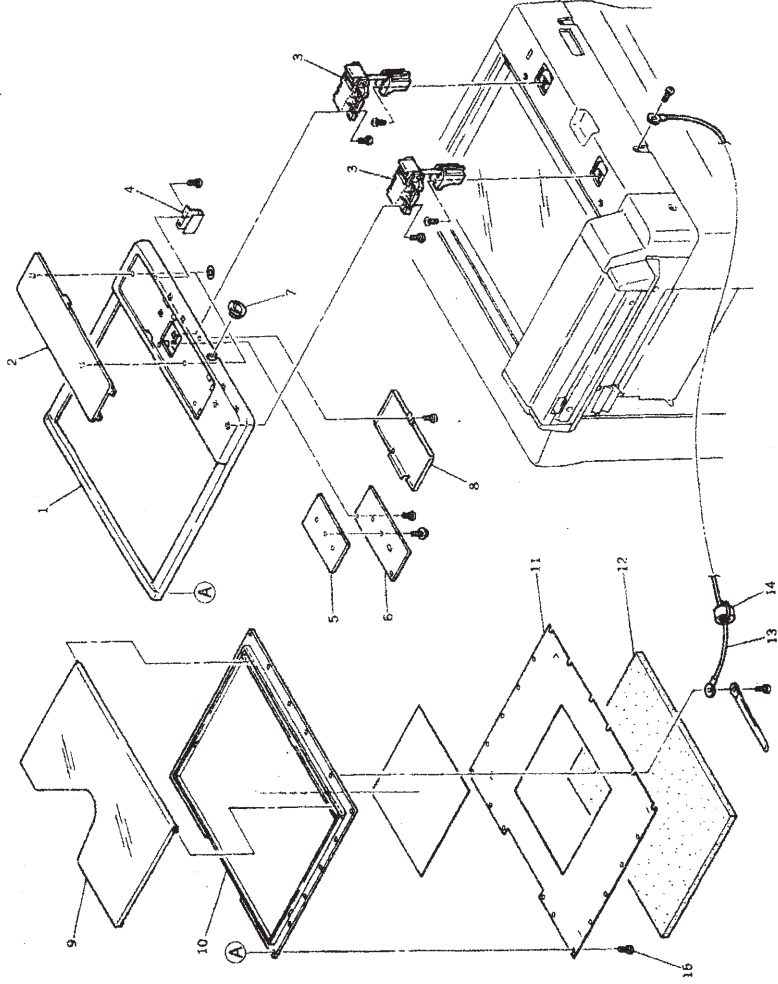
No.	Part No.	Part Name	Q'ty	Remark	
1	488-00013-103	Power Cord; 100V	1		
1	488-00014-100	Power Cord; US	1		
1	488-00015-106	Power Cord; 200V	1		
2	019-27301-004	Protection Plate; Motor Con.	1	3750	
3	019-17236-204	Bracket; Motor Control PCB	1		
4	019-51013-303	Motor Control PCB2	1		
5	017-55017-007	Wire Harness; Motor Con.-System	1		
6	017-55031-000	Wire Harness; Elevator Motor	1		
7	019-55041-000	Wire Harness; Main Motor	1		
8	685-04037-003	Free Bushing; NJ-23	1		
9	019-55025-004	Inlet Terminal; 100V	1		
9	019-55026-000	Inlet Terminal; 200V	1		
10	665-04014-003	Snap Bushing; SB-2000-26	2		
11	019-18100-209	Bracket (R); System PCB	1		
12	019-18101-108	Bracket (L); System PCB	1		
13	017-18102-100	Reinforce Plate; Image PCB	1		
14	019-18103-208	Reinforce Plate; System PCB	1		
15	017-51027-202	Image Processing PCB; RIP2	1	1700	
15	019-51001-208	Image Processing PCB F	1	Other	
16	019-51000-104	System PCB 2	1		
17	018-51000-107	Trimming PCB II	1		
18	019-18107-108	Bracket; Trimming PCB	1	2750, 3750	
19	017-51012-205	Option PCB A	2	2750, 3750	
19	017-51022-006	Option PCB B	1		
20	017-17245-004	Bracket (R); Option PCB	1		
21	017-17242-005	Bracket (L); Option PCB	1		
22	017-17243-001	Bracket (Upper); Option PCB	1		
23	017-17244-008	Bracket (Lower); Option PCB	1		
24	408-02301-008	Battery; CR-2450	1		
25	018-55006-002	Wire Harness; FB	1	FB	
26	017-55003-006	Wire Harness; S. ADF	1	1700, 1750	
26	018-55003-003	Wire Harness; ADF (FB)	1	Other	
27	017-55023-104	Wire Harness; M.-M. -Image	1	1700	
27	017-55025-107	Wire Harness; M.-M. -Image; T40	1	Other	
28	019-55011-003	Wire Harness; Image	1		
	No.	Part No.	Part Name	Q'ty	Remark
		019-55052-206	Wire Harness EMC; N1700		1700
		019-55046-109	Wire Harness EMC; H		Other
		019-55049-205	Wire Harness EMC; N		2710
29		*Wire Harness; System-Power		1	
30		*Wire Harness; Image-Power		1	
31		*Wire Harness; Motor Con.-Power		1	
32	019-55006-204	Wire Harness; CN7		1	
33	019-55022-102	Wire Harness; Panel-System		1	
34	019-55028-003	Wire Harness; CN15		1	
35	019-55029-000	Wire Harness; CN14		1	
36	019-55014-304	Wire Harness; CN9		1	
37	019-80000-	System ROM; GR		1	2750, 3750
37	019-80004-	System ROM RL; GR		1	Other

Fig. 45 EXTERIOR COVER AREA (GR2710, GR2750, GR3750)



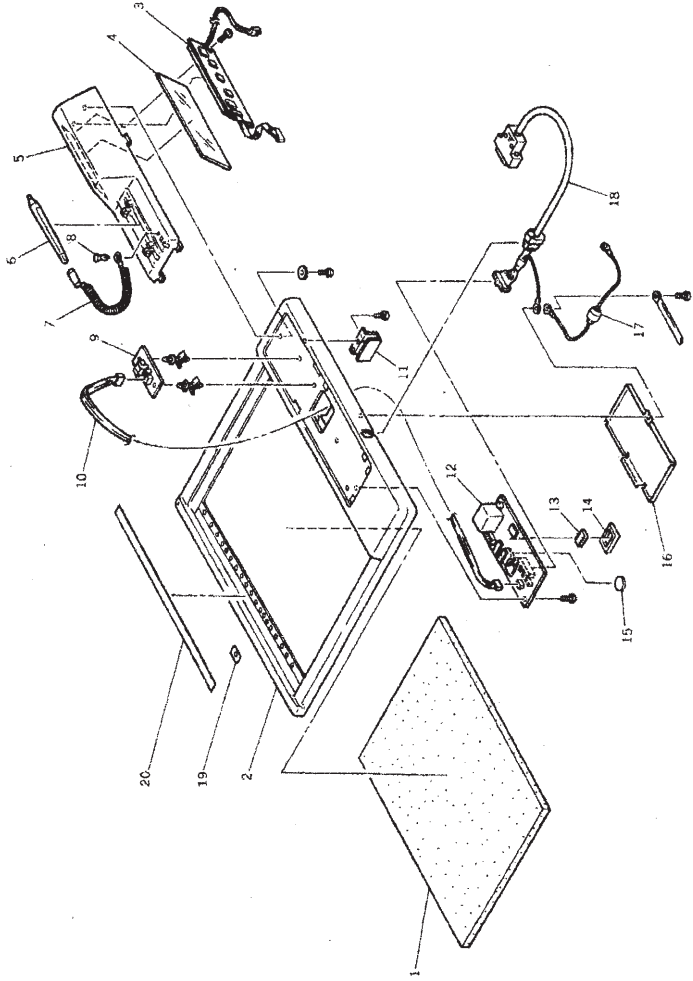
No.	Part No.	Part Name	Q'ty	Remark	No.	Part No.	Part Name	Q'ty	Remark
1	018-98600-008	Original Tray Ass'y; FB	1						
2	018-16309-200	*Original Tray; FB	1						
3	550-20682-107	*Seal; Original Size	1						
4	018-16310-101	*Original Side Guide	2						
5	017-17105-008	*Slide Rack; Original Holder	2						
6	005-24114-003	*Shaft Gear; Original Holder	1						
7	017-16021-005	*Rack Cover; ADF Cover	1						
8	018-16309-000	ADF Cover (Right); FB	1						
9	018-16307-003	ADF Cover (Left); FB	1						
10	018-16306-007	ADF Cover (F); FB	1						
11	018-16301-307	Scanner Cover (F); FB	1						
12	018-16303-300	Scanner Cover (Left); FB	1						
13	018-16302-303	Scanner Cover (R); FB	1						
14	018-16304-209	Scanner Cover (Right); FB	1						
15	011-17105-101	Front Left Cover	1						
16	019-17215-002	Lower Hinge; Front	1						
17	002-17008-007	Shaft Catch; Front Cover	2						
18	019-97200-000	Front Cover Ass'y	1						
19	019-17100-205	*Front Cover	1						
20	011-17102-005	*Magnet Catch Plate; Front	1						
21	002-17018-002	*Cover Catch A; Front	1						
22	550-20998-007	*Seal; Manual Pocket	1						
23	019-17104-200	Front Right Cover	1						
24	018-27204-001	Mole; 2710	1						
25	018-27203-005	Mole; 2750	1						
26	019-27202-103	Mole; 3750	1						
27	019-17201-109	Inner Cover A	1						
28	011-17211-106	Switch Box	1						
29	011-60007-008	Rotation SW; A Position	1						
30	011-60020-004	Front Cover Set SW	1						
31	014-17101-000	Back Cover; A3	1						
32	018-16312-007	Shaft; Original Tray	2						

Fig. 46 STAGE COVER



No.	Part No.	Part Name	Q'ty	Remark	No.	Part No.	Part Name	Q'ty	Remark
1	018-96200-107	Unit/Stage Cover							
1	018-16401-204	*Stage Cover; FB	1						
2	018-16413-008	*Cover B; Stage Cover	1						
3	018-96210-005	*Stage Cover Hinge Ass'y	2						
4	018-16420-004	*Actuator Plate; Stage Cover	1						
5	018-16417-100	*Balance Weight C; Stage Cover	1						
6	018-16416-104	*Balance Weight B; Stage Cover	1						
7	018-16418-000	*Cord Cap; Stage Cover	1						
8	018-16406-206	*PCB Cover; Stage Cover	1						
9	018-16411-102	*Original Holder Cover (Upper); Stage Cover	1						
10	018-16412-400	*Original Holder Cover (Lower); Stage Cover	1						
11	018-16415-302	*Balance Weight A; Stage Cover	1						
12	018-16425-006	*Stage Pad (W); Stage Cover	1						
13	448-90019-008	*Ground Wire; R3-440-R4	1						
14	435-00020-009	*Core; TR-23-11-14	1						
15	835-11307-009	*Stepped Screw; 3 x 7	10						

Fig. 47 DIGITIZER



No.	Part No.	Part Name	Q'ty	Remark	No.	Part No.	Part Name	Q'ty	Remark
1	018-16425-006	Stage Pad (W); Stage Cover	1						
2	018-96220-302	As'y/Digitizer Stage Cover, FB	1						
3	011-70508-005	LCD; DMF5005N	1						
4	018-16431-006	LCD Filter; Digitizer	1						
5	018-16403-100	LCD Cover; Digitizer	1						
6	018-16427-106	Stylus Pen III	1						
7	665-09004-006	Stylus Pen Holder	1						
8	665-04951-104	Clip; Stylus Pen Holder	1						
9	018-51006-008	Digitizer Power PCB	1						
10	018-55014-005	Wire Harness; Digitizer Power	1						
11	018-18420-004	Actuator Plate; Stage Cover	1						
12	018-51004-200	Digitizer PCB III	1						
13	018-70013-104	INF ROM (ST); Digitizer	1	Ja, US					
13	018-70014-003	INF ROM (OP1); Digitizer	1	Gr, Fr					
13	018-70015-000	INF ROM (OP2); Digitizer	1	It, Sp					
13	018-70016-006	INF ROM (OP3); Digitizer	1	In					
13	018-70017-002	INF ROM (OP4); Digitizer	1	En					
14	479-10003-000	ROM Cover B	1						
15	409-02300-001	Battery	1						
16	018-16406-206	PCB Cover; Stage Cover	1						
17	018-55013-009	Ground Wire II; Digitizer	1						
18	018-55007-203	Wire Harness; Digitizer III	1						
19	018-16428-005	SW Guide; Digitizer	1						
20	550-20764-006	Digitizer Seal; Ja, US	1						
20	550-20861-001	Digitizer Seal; Gr	1						
20	550-20862-008	Digitizer Seal; Fr	1						
20	550-20863-004	Digitizer Seal; It	1						
20	550-20864-000	Digitizer Seal; Sp	1						
20	550-20865-007	Digitizer Seal; In	1						
20	550-20866-003	Digitizer Seal; Ch	1						
20	550-20867-000	Digitizer Seal; Kr	1						

II. INDEX

[NOTICE]

- ★ When you order spare parts, please never fail to order the parts listed in this Index after making sure of what is the spare parts you want.
- ★ For modified or added parts, please refer to the technical information issued by our technical department.
- ★ What the part No. means;

Ex.)

0 0 0 - 0 8 9 4 0 - 0 0 1

• For classification of parts
• Main number in part No.
• Suffix No.
(in case of modification
this number is changed.)

- When you order spare parts, please never fail to inform us all of this part No. (the number of eleven figures).

Part No.	Part Name	Q'ty	Page	Unit Value
000-01169-106	Support Roller; Drum	3	25,29	
000-01327-003	Adj. Plate; Guide Roller	1	21,23	
000-01328-000	Adj. Eccentric; Guide Roller	1	21,23	
000-01515-004	Collar; Separator	1	43,45	
000-02211-009	Spring; Squeegee Gap	2	25,29	
000-02254-506	Ink Blocking Plate (Front)	1	25,29	
000-02255-502	Ink Blocking Plate (Back)	1	25,29	
000-06123-007	Stopper; Paper Guide Roller	2	9	
000-07119-100	Coil Spring; Inking Pump	1	25,30	
000-10126-002	Pulley G; Original Feed Roller	1	69,73	
000-10148-030	Spring B	1	81,85,87	
002-11210-109	Load Spring; Guide Roller	1	21,23	
002-11220-007	Cam; Guide Roller	1	17	
002-11225-009	Support Block; Slide Plate	2	17	
002-11227-001	Spacer; Slide Plate	6	17	
002-11291-109	Sector Gear	1	17	
002-11303-000	Spring B; Pressure Link	1	18	
002-11304-103	Spring; Hook Lever	1	17	
002-11402-008	Adjuster; Press. -Roll. Support	2	21,23	
002-11404-108	Roller Holder; Pressure	4	21,23	
002-11405-007	Center Shaft; Pressure	1	21,23	
002-11412-003	Shaft Catch; Guide Roller	1	21,23	
002-11421-002	Adj. Plate; Timing Lever	1	39,41	
002-11542-004	Housing; Stripper	1	21,23	
002-11544-007	Sliding Plate; Stripper	1	21,23	
002-11546-000	Bracket; Stack Paper Feeding SW	1	21,23	
002-11548-002	Adjuster; Stripper	1	21,23	
002-11549-009	Adj. Shaft; Stripper	1	21,23	
002-11550-007	Stopper Washer; Stripper	1	21,23	
002-11717-009	Collar; Elevator	2	9	
002-11719-303	Rack; Elevator	2	9	
002-12110-019	Clamp Magnet A; B4	1	33	
002-12134-104	Sticker Sheet; Drum	1	33	
002-12209-007	Adj. Collar A; Squeegee	1	25,29	
002-12210-005	Adj. Collar B; Squeegee	1	25,29	
002-12213-101	Sector Adjustor; Squeegee	1	25,29	
002-12219-002	Adj. Boss; Ink Blocking	2	25,29	
002-12223-107	Pulley; Main Shaft	1	25,29	
002-12229-105	Tensioner; Squeegee	1	25,29	
002-12233-005	Spring; Tensioner; Squeegee	1	25,29	
002-12234-001	Spring; Adj. Plate (Front)	2	25,29	
002-12238-104	Axis; Drive Shaft; Squeegee	1	25,29	
002-12240-001	Shaft Catch; Drive; Squeegee	1	25,29	
002-12303-305	Bracket; Inking Motor	1	25,29	
002-12304-107	Piston Inking Pump	1	25,29	

Part No.	Part Name	Q'ty	Page	Unit Value
002-12307-203	Linking Disc; Inking Pump	1	26,30	
002-12308-013	Linking Plate; Inking Pump	1	26,30	
002-12309-001	Collar; Inking Pump	2	26,30	
002-12310-107	Collar Holder; Inking Pump	2	26,30	
002-12407-003	Boss A; Drum Lever	2	25,29	
002-12409-103	Support Shaft; Support Roller	2	25,29	
002-12410-004	Adj. Plate; Support Roller	1	25,29	
002-12414-000	Shaft; Locking Plate; Drum	1	25,29	
002-12418-102	Spacer; Drum Lever	2	25,29	
002-12537-209	Protection Sheet	1	39,41	
002-13252-003	Gear Pulley B; Suction	1	47	
002-13352-105	Spring; Separator	1	43,45	
002-14517-000	Pulley; Duct	1	81,85,87	
002-17006-007	Shaft Catch; Front Cover	2	101,103	
002-17016-002	Cover Catch A; Front	1	101,103	
002-17017-203	Cover Catch B; Front	1	3,5,7	
005-24114-003	Shaft Gear; Original Holder	1	101,103	
006-11216-106	Bearing House A; Main Shaft	1	17	
006-11224-109	Slide Plate (Front)	1	17	
006-11301-502	Timing Roller	1	21	
006-11303-009	Gear; Guide Roller	1	21,23	
006-11304-005	Guide Shaft	1	21,23	
006-11305-109	One-Way Spring	1	21,23	
006-11306-008	Gear A; Guide Roller	1	21,23	
006-11307-004	Gear B; Timing Roller	1	21,23	
006-11308-000	Timing Lever	1	39,41	
006-11311-109	Spring; Timing Lever; R3	1	39,41	
006-11312-008	Support Collar; R3	2	21	
006-11332-009	Core; Pickup Roller	2	9	
006-91440-001	Unit/Adj. Plate; Timing Lever		39,41	
007-13121-100	Spring; Release Lever	1	43,45	
007-13124-109	Base Block; Paper Guide; Rcv.	3	51,53	
007-14113-100	Spring; Vertical Transport	3	81,85,87	
007-17121-104	Master Removal Hook	2	81,85,87	
009-35214-009	Pulley PM (16); Exit Roller	1	39,41,69	
011-11111-002	Bracket F; Suction	1	3	
011-11112-009	Bracket R; Suction	1	3	
011-11113-200	Bottom Cover	1	3,5	
011-11208-103	Base Shaft Plate; Slide Plate	1	17	
011-11220-006	Shaft Base Block; Slide Plate	1	17	
011-11227-000	Reinforce Plate; Slide Plate	1	17	
011-11230-001	Shaft; Slide Plate	1	17	
011-11231-008	Shaft Block; Slide Plate	1	17	
011-11232-004	Gear; Slide Plate	1	17	
011-11234-104	Main Bracket; Face Plate	2	18	

Part No.	Part Name	Q'ty	Page	Unit Value
011-11235-003	P Disc	1	17	
011-11240-309	Cam; Timing Roller	1	17	
011-11244-002	Gear; Pressure Control Motor	1	39,41	
011-11245-009	Gear; Pressure Adj. Screw	1	17	
011-11254-202	Tension Pulley	1	18	
011-11255-004	Pressure Sensor Disc	1	17	
011-11270-003	Shaft; Hook Lever	1	17	
011-11276-206	Hook Lever	1	17	
011-11280-106	Pressure Hook	1	17	
011-11284-209	Pressure Lever	1	18	
011-11289-006	Bracket; Hook Lever Spring	1	17	
011-11296-002	Spring; Sector Gear	1	17	
011-11301-103	Guide Roller	1	21	
011-11403-305	Pressure Roller Support	1	21	
011-11404-204	De-electricity Brush; B4	2	21	
011-11409-206	Guide Cover; Pressure; B4	1	21	
011-11502-001	Shaft A; P. -F. -T.	1	11,13	
011-11503-008	Shaft B; P. -F. -T.	1	11,13	
011-11509-200	Side Guide R; P. -F. -T.	1	11,13,15	
011-11510-209	Side Guide L; P. -F. -T.	1	11,13,15	
011-11513-003	Collar; Slide Rack; P. -F. -T.	2	11,13,15	
011-11514-000	Gear; Slide Rack; P. -F. -T.	1	11,13,15	
011-11516-002	L. O. Sheet	1	11,13,15	
011-11522-002	Paper Guide Roller	2	9	
011-11523-106	Adj. Nut; P. -F. -T.	1	11,13,15	
011-11524-005	Adj. Dial	1	11,13,15	
011-11528-000	Feed Board	1	11	
011-11529-201	Feed Board Cover	1	11,13	
011-11711-107	Fulcrum Screw; Stripper	1	21,23	
011-11712-006	Actuator Plate; Stack P. -F. SW	1	21,23	
011-11713-002	L Plate; Guide Plate	2	21,23	
011-11720-009	Stripper Noise Reduction Sheet	1	21,23	
011-11810-008	P.-F. Pressure Adj. Lever	1	9	
011-11815-000	Spring; P.-F. Pressure Adj. Lever	1	9	
011-11820-003	Pickup Roller Ass'y V	2	9	
011-11821-000	Rubber Roller V; Pickup	2	9	
011-12104-000	Seal Tape	1	33	
011-12105-200	Screen A	1	33	
011-12107-009	Screen B	1	33	
011-12110-506	Clamp Plate Ass'y	1	33	
011-12114-005	Shaft; Clamp Plate	1	33,35	
011-12116-202	Drum Cover R	1	33,35	
011-12120-200	Clamp Plate Base	1	33	
011-12124-108	Compensator	1	33,35	
011-12129-100	Clamp Sub-Plate	1	33	

Part No.	Part Name	Q'ty	Page	Unit Value
011-12130-000	Clamp Magnet B	1	33,35	
011-12131-007	Hanger Plate	2	33	
011-12132-500	Sheet; Clamp Plate	1	33	
011-12134-006	Sheet; Drum; B4	2	33	
011-12136-009	Spring; Screen	2	33	
011-12139-008	Drum Seal	2	33,35	
011-12140-006	Ink Blocking Sheet; B4	1	33	
011-12141-100	Screw; Spring Hanger	2	33	
011-12142-009	Ink Blocking Sheet; A4	1	33	
011-12147-108	Coil Spring; Inking Pump; RC	1	26,30	
011-12151-008	Valve; Inking Pump	2	25,30	
011-12153-000	Ink Distributor II	1	26	
011-12154-104	Plate II; Angular Magnet	1	33,35	
011-12155-003	Screw; Angular Magnet	1	33,35	
011-12201-200	Inking Pump Body	1	26	
011-12205-000	Pulley; Squeegee Roller	1	25,29	
011-12206-201	Ass'y; Shaft Joint	1	29	
011-12208-000	Bottle Guide (Over)	1	29	
011-12211-302	Side Frame; Squeegee	1	29	
011-12213-100	Drum Cover F (Upper)	1	25,29	
011-12218-005	Boss; Bottle Set SW	1	26,30	
011-12220-204	Drum Cover F (Lower)	1	25,29	
011-12221-006	Fulcrum; Tensioner; Squeegee	1	25,29	
011-12222-304	Bracket R; Drum Cover F	1	25,29	
011-12223-300	Bracket L; Drum Cover F	1	25,29	
011-12241-007	Shaft Support II; Squeegee	1	29	
011-12304-009	Bracket A; Connector; Drum	1	37	
011-12306-109	Rail; Drum	2	37	
011-12311-005	Drum Catch (L)	1	37	
011-12402-108	Spring; Clamp Solenoid	1	39,41	
011-12405-107	Bracket; Compensator Plate	1	39,41	
011-12409-200	Compensator Plate	1	39,41	
011-12410-003	Plunger Pin; Clamp Solenoid	1	39,41	
011-12411-000	Gear; Clamp Motor	1	39,41	
011-12412-006	Spacer; Compensator Plate	2	39,41	
011-13106-006	Frame B; Paper Receiving Tray	1	51	
011-13107-002	Catch Plate; P. -Rcv. -T.	1	51,53	
011-13108-106	Slide Rail A; P. -Rcv. -T.	1	51	
011-13109-102	Slide Rail B; P. -Rcv. -T.	1	51	
011-13110-305	Paper Guide; P. -Rcv. -T.	2	51	
011-13112-103	Shaft; Paper Receiving Tray	1	51	
011-13115-102	Receiving Tray Plate II	1	51	
011-13122-001	Bracket; Magnet Catch; P. -Rcv.-T.	1	3,5,7	
011-13135-006	Pin; Paper Guide	2	51	
011-13141-006	Spring; Paper Guide; P. -Rcv. -T.	2	51	

Part No.	Part Name	Q'ty	Page	Unit Value
011-13142-002	Paper Guiding Arm F; P. -Rcv. -T.	1	51	
011-13143-009	Paper Guiding Arm R; P. -Rcv. -T.	1	51	
011-13144-102	Set Plate F; P. -Rcv. -T.	1	3,5	
011-13146-105	Set Plate R; P. -Rcv. -T.	1	3,5	
011-13201-106	Suction Cover (Upper)	1	47	
011-13204-008	Pulley; Suction Motor	1	47,49	
011-13205-403	Cover Plate; Suction	1	47	
011-13206-205	Suction Fan Cover	1	47,49	
011-13207-007	Seal	1	47	
011-13212-000	Fulcrum Plate; Gear Pulley; Suction	1	47	
011-13220-003	Transfer Belt	3	47,49	
011-13232-109	Suction Cover (Lower)	1	47	
011-13301-208	Lever; Separator	1	43,45	
011-13304-002	Shaft; Separator	1	43	
011-13306-005	Collar A; Separator	2	43,45	
011-13307-109	Adj. Stopper; Separator	1	43,45	
011-13310-002	Hook Plate	2	43,45	
011-13311-106	Release Lever	1	43,45	
011-13916-008	Boss; JS Bracket	2	109	
011-14115-009	Linking Plate; M. -Rmv. Hook	1	81,85,87	
011-14120-207	Front Cover; M.-Rmv.	1	3,5	
011-14121-106	Pulley B; M. -Rmv.	1	81,85,87	
011-14168-005	Master Removal Hook (Left); B4	1	81,85	
011-14169-001	Master Removal Hook (Right); B4	1	81,85	
011-14406-006	Bracket; Disposal Box SW	1	81,85,87	
011-14421-207	Guide Cam; Disposal Box	2	89,91	
011-14422-203	Guide Spring; Disposal Box	1	89,91	
011-14427-000	Lock Shaft; Disposal Box	1	89	
011-14428-007	Lock Spring (Right)	1	89,91	
011-14429-003	Lock Spring (Left)	1	89,91	
011-14502-002	Inner Cover	1	3,5,7	
011-15001-007	Support Shaft	2	69,73	
011-15004-006	Fulcrum; TPH	2	71,75	
011-15009-105	Catch Roller (Lower); M. -M.	1	69	
011-15010-006	Shaft; Open/Close Hook	1	71	
011-15013-005	Open/Close Hook	2	71,75	
011-15018-007	Pulley; Write Pulse Motor	1	39,41	
011-15034-002	Bracket; De-electricity Brush; T-TPH	2	71	
011-15035-009	Protection Sheet A; TPH	3	71	
011-15036-005	De-electricity Brush; TPH	2	71	
011-15037-109	Bracket; Loading Pulse Motor	1	39,41	
011-15041-009	De-electricity Brush	1	69,71	
011-15047-104	Cutter Cover A	1	77	
011-15048-003	Set Sheet A	2	77	
011-15049-000	Set Sheet B	2	77	

Part No.	Part Name	Q'ty	Page	Unit Value
011-15051-004	De-electricity Bar; M. -M.	2	71	
011-15055-000	Spring (Left); M. -M.	1	71,75	
011-15056-006	Spring (Right); M. -M.	1	71,75	
011-15098-000	Hook Spring	2	71,75	
011-15110-000	Pulley; Loading Roller (Lower)	1	69,73	
011-15117-005	Cam; Thermal Pressure Motor	1	71,75	
011-15120-006	Pulley A; Write Roller	1	69	
011-15146-102	Bracket; Write Pulse Motor	1	39,41	
011-15176-109	Cutter Guide IV	1	77	
011-15704-105	Bracket; TPH	1	71	
011-15708-100	Switch Cam	1	71,75	
011-15710-008	Bracket; Micro-SW	1	71,75	
011-15716-006	Pressure Assist Plate	2	71	
011-15717-002	Bracket; Pressure Assist Plate; K-TPH	2	71	
011-15718-106	Spring; TPH Pressure	2	71,75	
011-15733-008	De-electricity Brush; K-TPH	1	71	
011-15734-004	Bracket; De-electricity Brush;K-TPH	1	71	
011-15751-006	Bracket; Pressure Assist Plate; T-TPH	2	71	
011-17102-005	Magnet Catch Plate; Front	1	101,103	
011-17105-101	Front Left Cover	1	101,103	
011-17206-005	Bracket E; Keyboard	1	3,5,7	
011-17209-004	Set Plate; Front Right Cover	1	3,5,7	
011-17211-106	Switch Box	1	101,103	
011-17220-008	Blind Plate B; Connector	1	3,5,7	
011-17231-000	Set Plate Upper; Front Right Cover	1	3,5,7	
011-41404-004	De-electricity Brush; A4	1	21	
011-41528-005	Feed Board; US	1	11	
011-43102-102	Receiving Tray Plate II; 100US	1	51	
011-47557-007	Back Cover	1	101	
011-60007-008	Rotation SW; A Position	1	101,103	
011-60020-004	Front Cover Set SW	1	101,103	
011-60027-106	Photoelectron Disc.	1	17	
011-65004-309	Clamp Solenoid	1	39,41	
011-65005-100	Lock Solenoid	1	37	
011-65018-300	Master Removal Solenoid	1	81,85,87	
011-65022-200	Counter	1	93,97	
011-70508-005	LCD; DMF5005N	1	107	
011-91230-007	Unit/Drive Gear; Transfer Belt	1	39	
011-91245-004	Pressure Solenoid Ass'y	1	17	
011-91320-103	Guide Roller Ass'y		21	
011-91410-307	Pressure Shaft Ass'y; B4		21	
011-91411-109	Pressure Shaft Ass'y; A4		21	
011-91412-008	Pressure Shaft	1	21	
011-91420-000	Pressure Roller Ass'y; B4	1	21	
011-91421-007	Pressure Roller Ass'y; A4	1	21	

Part No.	Part Name	Q'ty	Page	Unit Value
011-92106-008	Ass'y; Angular Magnet Plate		33,35	
011-93110-009	Magnet Catch Ass'y; P.-Rcv.-T.		3,5,7	
011-95077-009	Write Roller; 40	1	69	
011-95111-002	Cutter Cover A Ass'y		77	
014-11114-003	Bottom Cover; A3	1	7	
014-11301-202	Guide Roller; A3	1	23	
014-11303-108	Timing Roller; A3	1	23	
014-11404-206	Guide Cover; Pressure; A3	1	23	
014-11405-008	De-electricity Brush; A3	1	23	
014-11406-101	Pressure Roller Support; A3	1	23	
014-11410-001	Support Collar; A3	2	23	
014-11502-003	Shaft A; P. -F. -T.	1	15	
014-11529-106	Feed Board Cover	1	15	
014-11533-006	Spring; Slide Rack	1	11,13,15	
014-12101-002	Drum Body; A3	1	35	
014-12103-005	Drum Body Support (Left); A3	1	35	
014-12104-109	Clamp Plate Ass'y	1	35	
014-12114-007	Seal Tape; A3	1	35	
014-12115-003	Clamp Sub-Plate	1	35	
014-12116-204	Ink Blocking Sheet; A3	1	35	
014-12121-402	Sheet; Clamp Plate; A3	1	35	
014-12201-104	Squeegee Stay; A3	1	29	
014-12211-002	Inking Pump Body; A3	1	30	
014-12213-005	Ink Distributor; A3	1	30	
014-12216-101	Bottle Guide II Ass'y		29	
014-12217-000	Bottle Guide II (Base)	1	29	
014-12221-407	Squeegee Roller; A3	1	29	
014-12226-000	Doctor Roller II; A3	1	29	
014-12227-103	Reverse Rotation Stopper AII	1	25,29	
014-12251-004	Adj. Shaft; Squeegee; A3	1	29	
014-12252-000	Drive Shaft; Squeegee; A3	1	29	
014-12295-001	Lever; Bottle Stopper	1	25,29	
014-12297-004	Spring; Stopper Lever	1	25,29	
014-12301-109	Rail; Drum; A3	2	37	
014-12310-108	Rail Bracket; Drum	1	37	
014-12311-007	Shaft; Lock	1	37	
014-12312-100	Lock Hook; Drum Lock	1	37	
014-12315-100	Bracket; Drum Lock	1	37	
014-12318-001	Spring; Lock	1	37	
014-12401-006	Base Plate; Clamp Solenoid	1	39,41	
014-12402-207	Bracket; Clamp Solenoid	1	39,41	
014-13101-103	Frame A; Paper Receiving Tray; A3	1	51	
014-13105-303	Back Stop II; P. -Rcv. -T.	1	51	
014-13106-105	Damper; Back Stop; P. -Rcv. -T.	1	51	
014-13110-102	Slide Guide; Paper Guide; Rcv.; A3	3	51,53	

Part No.	Part Name	Q'ty	Page	Unit Value
014-13113-004	Slide Frame; Paper Guide; Rcv.; A3	3	51,53	
014-13310-004	Nozzle (Lower); Separation	1	45	
014-13311-000	Nozzle (Upper); Separation	1	45	
014-13312-007	Bracket; Separation Fan	1	45	
014-14119-308	Front Cover; M.-Rmv.; A3	1	7	
014-14465-001	Lock Shaft; Disposal Box; A3	1	91	
014-14469-007	Shaft; Disposal Box Cover; A3	1	89,91	
014-15004-008	Bracket; TPH; A3	1	75	
014-15007-007	Load Roller	1	75	
014-15008-003	Shaft; Open/Close Hook; A3	1	75	
014-15011-004	De-electricity Bar; M. -M.; A3	2	75	
014-15013-007	Sheet; Light Absorber; M. -M.	1	71,75	
014-15018-009	Catch Roller (Upper); A3	1	75	
014-15020-100	Bracket; Pressure Assist Plate	2	75	
014-15021-000	Fulcrum III; M. -M.	2	71,75	
014-15022-006	Pressure Assist Plate	2	75	
014-15028-004	Reinforce Shaft	1	75	
014-15033-008	Bracket; De-electricity Brush; TPH; A3	1	75	
014-15034-101	Protection Sheet A; TPH; A3	1	75	
014-15035-000	De-electricity Brush; TPH; A3	1	75	
014-15102-000	Load Roller (Lower); M. -M.	1	73	
014-15106-005	De-electricity Brush; A3	1	73	
014-15116-205	Set Sheet E	2	79	
014-15131-107	Master Guide Plate; A3	1	73	
014-15144-101	Spring Hanger L; Master Guide Plate	1	69,73	
014-15145-108	Spring Hanger R; Master Guide Plate	1	69,73	
014-15146-007	Spring; Master Guide Plate	2	69,73	
014-15155-006	Mount; Loading Pulse Motor	1	39,41	
014-15174-000	Stay R; Set Guide Plate	1	73	
014-15175-007	Stay L; Set Guide Plate	1	73	
014-15178-200	Set Guide Shaft	1	73	
014-15179-002	Bracket; Micro-SW; M. -M.	1	73	
014-15182-003	Fixing Plate; Pulley G	1	73	
014-15191-100	Guide Plate; Load; A3	1	73	
014-15210-201	Cover; Master Roll Holder	1	73	
014-15214-002	Set Plate; Cover	1	73	
014-17101-000	Back Cover; A3	1	103	
014-17203-008	Cover; Drum Lock	1	37	
014-17207-100	Back Cover; Counter	1	93,97	
014-91320-008	Guide Roller Ass'y; A3		23	
014-91410-201	Pressure Shaft Ass'y; A3		23	
014-91412-000	Pressure Shaft; A3	1	23	
014-91420-002	Pressure Roller Ass'y; A3	1	23	
014-92350-008	Unit/Drum Lock		37	
014-93100-102	Unit/Paper Receiving Tray; A3		51	

Part No.	Part Name	Q'ty	Page	Unit Value
014-93105-200	Unit/Paper Receiving Tray; A3; 100US		51	
014-95076-101	Write Roller; A3	1	73	
015-35244-304	Flap Adj. Plate; P. -Rcv. -T.	4	53	
015-35246-005	Adj. Lever; P. -Rcv. -T.	4	53	
017-11201-102	Bracket A; Sensor	1	17	
017-11202-001	Bracket B; Sensor	1	17	
017-11208-000	Base Shaft Plate; Pressure	1	18	
017-11209-103	Face Plate; Main Shaft	1	17	
017-11214-000	Pressure Link; Top	1	17	
017-11215-006	Pressure Link; Bottom	1	17	
017-11216-002	Link Boss A	1	17	
017-11217-009	Link Boss B	1	17	
017-11223-009	Linking Plate; Drive Base	1	17	
017-11224-005	Link Spacer	1	17	
017-11225-001	Spring; Pressure Link	1	17	
017-11226-008	Spring B; Pressure Link	1	17	
017-11227-004	Pressure Adj. Screw	1	17	
017-11229-007	Bracket; Pressure Control Motor	1	39,41	
017-11231-001	Bracket A; Pressure Control	1	18	
017-11232-202	Bracket B; Pressure Control	1	18	
017-11234-000	Spring; Linking Plate	1	17	
017-11237-000	Cam; Pressure Roller; B4	1	17	
017-11238-006	Cam; Pressure Roller; A4	1	17	
017-11240-000	Print Positioning Motor	1	39,41	
017-11301-107	Shaft; Timing Roller	1	21	
017-11302-103	Bracket; Timing Roller	1	21	
017-11401-004	Guide Cover; Pressure; A4	1	21	
017-11503-109	Bracket; P. -F. -T.	1	11,13	
017-11512-108	Slide Rack; P. -F. -T.	2	11,13	
017-11513-104	Actuator Plate; P. -F. -T.	1	13	
017-11516-006	Size Gear; P. -F. -T.	1	13,15	
017-11517-207	Feed Board II	1	13	
017-11518-300	Bracket; Size VR; P. -F. -T.	1	13	
017-11519-005	Lead SW Cover; P. -F. -T.	1	13,15	
017-11530-009	Feed Board II; US	1	13	
017-11548-005	Connector Cover	1	11,13,15	
017-11553-009	Nut Holder	1	11	
017-11602-301	Link Plate; Elevator	1	9	
017-11640-009	Bracket; Elevator Spring	1	9	
017-11641-005	Spring; Elevator	2	9	
017-11648-000	Bracket; Lower Limit Sensor	1	9	
017-11649-006	Gear; Elevator	1	9	
017-11706-000	Sheet; Guide Plate	1	21,23	
017-11801-100	Cover; Pickup Roller	1	9	
017-11802-106	Bracket; Feed Tray Safety SW	1	9	

Part No.	Part Name	Q'ty	Page	Unit Value
017-11805-008	Bracket; P.-F. Pressure Adj. Lever	1	9	
017-11808-007	Hook; P.-F. Pressure Adj.	1	9	
017-11810-206	Bracket; Upper Limit Sensor	1	9	
017-11811-202	Shaft; Pickup Roller	1	9	
017-11812-004	Shaft; Scraper	1	9	
017-11818-002	Scraper Collar	1	9	
017-11819-009	Spring F; Safety SW	1	9	
017-11820-007	Spring B; Safety SW	1	9	
017-12001-107	Drum Body Support (Right)	1	33	
017-12004-009	Drum Body; A4	1	33	
017-12006-001	Drum Body; 100US	1	33	
017-12010-009	Drum Body; OW	1	33	
017-12011-005	Drum Body Support (Left); OW	1	33	
017-12101-403	Squeegee Stay; OW	1	25	
017-12105-204	Side Frame; Squeegee; OW	1	25	
017-12111-409	Squeegee Roller; OW	1	25	
017-12114-203	Doctor Roller II; OW	1	25	
017-12116-005	Reverse Rotation Stopper B	1	25	
017-12121-005	Drive Shaft; Squeegee; OW	1	25	
017-12122-001	Shaft Support; Squeegee	1	25	
017-12123-008	Adj. Shaft; Squeegee; OW	1	25	
017-12124-209	Ass'y; Shaft Joint	1	25	
017-12201-300	Frame; Drum	1	25,29	
017-12203-001	Bracket B; Connector; Drum	1	37	
017-12205-101	Position A Plate	1	33,35	
017-12206-000	Position C2 Plate	2	33,35	
017-12207-007	Locking Plate; Drum	1	25,29	
017-12211-004	Bracket; Stopper Lever	1	25,29	
017-12213-007	Inner Cover; Drum	1	25,29	
017-12215-000	PCB Cover; Drum	1	26,30	
017-12216-103	Drum Lever	1	25,29	
017-12220-003	Position C1 Plate	1	33,35	
017-12409-009	Bracket; Angular Sensors	1	39,41	
017-12604-103	Lever; Drum Holder	1	37	
017-12605-100	Lever Base; Drum Holder	1	37	
017-12606-009	Shaft; Drum Holder	1	37	
017-12607-005	Spring; Drum Holder	1	37	
017-13201-606	Face Cover W; Suction	1	49	
017-13205-008	Shaft; Jump Wing	2	49	
017-13206-004	Jump Wing (F); Suction	1	49	
017-13207-000	Jump Wing (R); Suction	1	49	
017-13208-007	Wing Plate; Suction	2	49	
017-13210-001	Spring; Belt Roller; Suction	1	49	
017-13211-008	Shaft Plate; Belt Roller; Suction	1	49	
017-13216-000	Belt Roller; Suction	1	49	

Part No.	Part Name	Q'ty	Page	Unit Value
017-13219-203	Suction Cover W (Upper)	1	49	
017-13220-104	Cover; Paper Rcv. Sensor 1	1	47,49	
017-13221-100	Cover; Paper Rcv. Sensor 2	1	47,49	
017-13222-107	Shaft; Wing Cam; Suction	1	49	
017-13223-006	Cam Gear; Suction	1	49	
017-13224-207	Wing Cam (F); Suction	1	49	
017-13225-106	Roller Cam; Suction	1	49	
017-13226-102	Wing Cam (R); Suction	1	49	
017-13228-008	SW Cam; Suction	1	49	
017-13229-209	Adj. SW Plate; Suction	1	49	
017-13232-102	Bracket; Suction Fan	1	49	
017-13233-001	Seal	1	49	
017-13235-004	Idler Shaft; Suction	1	49	
017-13236-108	Belt Idler; Suction	1	49	
017-13237-104	Fulcrum Plate II; Gear Pulley; Suction	1	49	
017-13239-000	Spring; Jump Wing (F)	1	49	
017-13240-008	Stay; Suction	1	49	
017-13241-004	Spring; Jump Wing (R)	1	49	
017-13242-000	Shaft Plate; Wing Gear	1	49	
017-13246-006	Wing Gear; Suction	1	49	
017-13247-002	Drive Shaft; Suction	1	49	
017-13248-009	Pulley; Wing Motor	1	49	
017-13250-305	Cover Plate W; Suction	1	49	
017-13252-006	Side Flap (F); Suction	1	49	
017-13255-005	Side Flap (R); Suction	1	49	
017-13257-008	Spring; Side Flap; Suction	2	49	
017-13258-004	De-electricity Brush; Suction	1	47,49	
017-13278-005	Transfer Shaft; Suction	2	47	
017-13280-107	Face Cover II; Suction	1	47	
017-13301-007	Release Lever; Separator	1	43,45	
017-13901-004	Positioning Bracket; JS III	1	109	
017-13902-000	Bracket; JS III	1	109	
017-14104-000	Stay B; M. -Rmv.	1	81,85	
017-14105-309	Base Plate; M. -Rmv.; B4	1	81,85	
017-14106-100	Guide Plate; M. -Rmv.; B4	1	81,85	
017-14107-204	Vertical Transport Roller (Down)	1	81,85	
017-14111-201	Sensor Bracket; M. -Rmv.	1	81,85,87	
017-14114-006	Set Collar; M. -Rmv.	2	81,85,87	
017-14115-002	Screw; M. -Rmv.	2	81,85,87	
017-14116-009	Fulcrum; Master Guide; M. -Rmv.	2	81,85,87	
017-14120-200	Master Guide; M. -Rmv.	1	81,85	
017-14121-002	Spring; Master Guide; M. -Rmv.	1	81,85	
017-14122-106	Bracket; M. -Rmv. Solenoid	1	81,85,87	
017-14124-109	Upper Stay; M. -Rmv.	1	81,85	
017-14126-306	Base Plate; M. -Rmv.; A4	1	81,85	

Part No.	Part Name	Q'ty	Page	Unit Value
017-14127-108	Guide Plate; M. -Rmv.; A4	1	81,85	
017-14128-201	Vertical Transport Roller (Down); A4	1	81,85	
017-14138-100	Vertical Transport Roller (UP); B4	1	81,85	
017-14141-100	Vertical Transport Roller (UP); A4	1	81,85	
017-14151-408	Disposal Box	1	89	
017-14152-200	Disposal Box Cover	1	89	
017-14153-109	Disposal Box Cover B	1	89	
017-14154-008	Guide Plate; Disposal Box; B4	1	89	
017-14155-004	Lever Frame; Disposal Box	1	89	
017-14159-107	H. -Lever (F); Disposal Box	1	89,91	
017-14161-101	H. -Lever (R); Disposal Box	1	89,91	
017-14162-000	Guide Shaft; Disposal Box	1	89	
017-14163-007	Disposal Shaft	1	89,91	
017-14165-107	Shaft; Compression Plate	1	89	
017-14166-103	Compression Plate; Disposal Box	1	89,91	
017-14167-002	Guide Spring B; Disposal Box	1	89,91	
017-14171-000	Guide Plate; Disposal Box; A4	1	89	
017-14172-200	Guide Plate; M. -Rmv.	1	81,85	
017-15006-002	Bracket; De-electricity Brush	1	71	
017-15007-106	Catch Roller (Upper)	1	71	
017-15008-005	Shaft; Load Roller	1	71	
017-15009-001	Load Roller	3	71,75	
017-15010-000	Cover A; M. -M.	1	71	
017-15015-001	Open/Close Hook II	1	71	
017-15101-005	Load Roller (Lower); M. -M.	1	69	
017-15102-001	Master Guide Plate	1	89	
017-15103-105	Guide Plate; Load	1	69	
017-15104-004	Bracket; De-electricity Brush	1	69	
017-15107-003	Metal Fixing Plate	1	69	
017-15108-000	Fixing Plate; Bearing	1	69	
017-15113-305	Bracket; Wire Harness	1	3,5	
017-15124-005	Stay; Set Guide Plate	2	69	
017-15213-008	Holder Stay R	1	69,73	
017-15214-004	Holder Stay F	1	69,73	
017-15217-003	Cover; Master Roll Holder	1	69	
017-15234-005	Set Plate; Master Holder Cover	1	69	
017-15281-003	Guide Holder D; Master Holder	1	69,73	
017-15303-201	Cutter Cover	1	77	
017-15306-006	Bracket; Master Positioning Sensor	1	77,79	
017-15310-003	Master Guide Stopper Plate	1	77	
017-15311-107	Master Guide Stopper Cushion	1	77	
017-16006-103	Bottom Blind Plate; ADF	1	3	
017-16007-002	Bracket B; Back Cover	1	3	
017-16008-009	Bracket A; Back Cover	1	3	
017-16009-005	Shaft; Original Tray	2	101	

Part No.	Part Name	Q'ty	Page	Unit Value
017-16021-005	Rack Cover; ADF Cover	1	101,103	
017-16101-009	Lift Base (F); Upper Cover	1	55	
017-16103-001	Lift Base (R); Upper Cover	1	55	
017-16107-007	Shaft Base; Upper Cover	2	55	
017-16121-000	Bracket; Upper Cover Set SW	1	3,5,7	
017-16122-006	Shaft A; Upper Cover Set SW	1	3,5,7	
017-16123-002	Shaft B; Upper Cover Set SW	1	3,5,7	
017-16124-106	Spring; Upper Cover Set SW	1	3,5,7	
017-16201-402	Upper Rear Frame	1	3	
017-16211-106	Fulcrum; Hook Catch	2	3	
017-16244-101	Plate Spring; Interlock Switch	1	93	
017-16245-000	Shaft; Interlock Switch	2	93	
017-16250-004	Cover; Interlock Switch	1	55	
017-16253-100	Bracket; Interlock Switch	1	93	
017-16256-100	Lever; Interlock Switch	1	55	
017-16259-001	Fulcrum; Interlock Switch	1	55	
017-16321-106	Lift Arm (F); Upper Cover	1	55	
017-16322-102	Lift Arm (R); Upper Cover	1	55	
017-16325-101	Lift Spring (F); Upper Cover	1	55	
017-16326-108	Lift Spring (R); Upper Cover	1	55	
017-16328-003	Lift Collar; Upper Cover	2	55	
017-16331-101	Hook; Upper Cover	1	55	
017-16332-108	Lever; Upper Cover	1	55	
017-16333-007	Hook Spring; Upper Cover	1	55	
017-16334-003	Back Plate; Upper Cover	1	55	
017-16340-100	Frame; Upper Cover	1	55	
017-16348-004	Hook Shaft (R); Upper Cover	1	55	
017-16501-104	Original Guide Base (F); ADF	1	57	
017-16504-006	Hook Plate; ADF	1	59	
017-16505-100	Rib; Shading	1	89	
017-16506-203	Original Guide Base (R); ADF	1	57	
017-16507-501	Original Guide (F); ADF	1	89	
017-16508-109	Frame B; Original Guide	1	57	
017-16509-008	Bracket; De-electricity Brush; ADF	1	89	
017-16510-006	Transfer Roller; ADF	1	89	
017-16511-002	Pickup Arm; ADF	1	57	
017-16512-009	Stripper Arm; ADF	1	57	
017-16513-005	Exit Roller (Upper); ADF	1	89	
017-16514-001	Open Lever; ADF	1	59	
017-16518-007	Bracket; ADF PCB	1	57	
017-16519-003	Bracket; ADF Sensor	1	59	
017-16522-004	Exit Pulley; ADF	1	89	
017-16523-000	Main Gear; ADF	1	91	
017-16524-007	Motor Cover; ADF	1	89	
017-16525-003	Metal; 8M	2	57	

Part No.	Part Name	Q'ty	Page	Unit Value
017-16526-000	Housing; 8P	4	89	
017-16528-002	Transfer Pulley; ADF	1	89	
017-16530-007	Pulley A; ADF	2	59,63	
017-16531-003	Tension Pulley; ADF	1	89	
017-16532-000	Shaft; Stripper Roller; ADF	1	59	
017-16533-006	Pickup Roller (Upper); ADF	1	59	
017-16535-009	Stripper Roller; ADF	1	59,63	
017-16537-001	Arm; Original Feed Solenoid	1	57	
017-16538-008	Gear; ADF	1	59,63	
017-16539-004	Original Stripper Pad	1	57	
017-16542-005	Roller (Lower); ADF	3	57,61	
017-16543-109	Pickup Shaft; ADF	1	57	
017-16544-105	Shaft; Stripper Arm	1	57	
017-16545-004	De-electricity Brush A; ADF	2	89	
017-16546-000	De-electricity Brush B; ADF	1	63,89	
017-16547-007	Spring; ADF Lever	1	59	
017-16548-003	Spring; Stripper Arm	2	57	
017-16553-007	Spring R; ADF Hinge	1	57	
017-16554-003	Spring L; ADF Hinge	1	57	
017-16555-000	Roller Spring; ADF	5	57,61	
017-16560-003	Actuator; ADF SW	1	57,61	
017-16561-000	Metal; 8M (2)	4	89	
017-16562-006	Spring; Read Roller	2	63	
017-16563-002	Spacer; ADF Hinge R	1	57	
017-16564-009	Spacer; ADF Hinge L	1	57	
017-16565-609	Upper Frame; ADF	1	89	
017-16566-001	Bracket; ADF SW	1	57	
017-16569-205	Side Frame (II) L; Scanner	1	57	
017-16570-300	Side Frame (II) R; Scanner	1	57	
017-16571-102	ADF Motor	1	89	
017-16572-001	Read Pulse Motor	1	59	
017-16573-105	Original Feed Solenoid	1	57	
017-16575-000	Original Det. Sensor	1	59	
017-16576-007	Original Regist. Sensor	1	59	
017-16579-006	Original IN Sensor (Send)	1	59	
017-16580-209	Original IN Sensor (Receive)	1	57	
017-16581-000	ADF SW	1	57	
017-16582-007	Wire Harness; ADF	1	57	
017-16586-002	Link Plate; ADF	1	89	
017-16587-009	Spacer; Exit Pulley	1	89	
017-16588-005	Belt; 44	1	59,63	
017-16589-001	Belt; 120	1	59	
017-16593-009	Spacer; Shaft Hinge	2	57	
017-16594-005	Sheet; Sensor	1	59	
017-16595-001	Mount; Read Pulse Motor	1	59,63	

Part No.	Part Name	Q'ty	Page	Unit Value
017-16597-004	Sheet F; Sensor	1	59	
017-16598-108	Damper Plate; Pickup; ADF	1	57,61	
017-16599-007	Damper Plate; Shading	1	59	
017-16600-005	Pickup Pad Holder; ADF	1	57	
017-16601-001	Pickup Pad; ADF	1	57	
017-16602-008	Sheet Guide (A); ADF	1	89	
017-16603-004	Sheet Guide (B); ADF	1	69	
017-16604-108	Original Out Sensor	1	57	
017-16605-007	Exit Wheel; ADF	4	57	
017-16608-006	Stepped Screw M3	1	59	
017-16609-002	Guide; Shading	1	89	
017-16610-000	Balance Plate; Shading	1	89	
017-16611-007	Stepped Screw M4	2	89	
017-16612-003	Sheet; Shading	1	89	
017-17050-009	Bracket A; Keyboard	1	93,97	
017-17051-005	Bracket B; Keyboard	1	93,97	
017-17101-207	ADF Cover	1	101	
017-17102-106	Cover B; ADF	1	57	
017-17103-005	Original Side Guide (R)	1	101	
017-17104-001	Original Side Guide (L)	1	101	
017-17105-008	Slide Rack; Original Holder	2	101,103	
017-17111-008	Upper Cover	1	55	
017-17121-100	Original Tray	1	101	
017-17210-006	Bottom Plate (Right)	1	3,5,7	
017-17217-000	Bottom Plate (Left)	1	3,5,7	
017-17220-109	Carrying Grasp	4	3,5,7	
017-17221-008	Mount; Connector	1	3,5,7	
017-17222-004	Blind Plate C; Connector	2	3,5,7	
017-17223-000	Blind Plate D; Connector	2	3,5,7	
017-17224-007	Mount II; Connector	1	3,5,7	
017-17230-007	Bracket B; Back Cover	1	3	
017-17233-103	Cover Plate; Power Supply	1	93,97	
017-17240-002	Sheet; Sub-Power Supply PCB	1	75	
017-17242-005	Bracket (L); Option PCB	1	99	
017-17243-001	Bracket (Upper); Option PCB	1	99	
017-17244-008	Bracket (Lower); Option PCB	1	99	
017-17245-004	Bracket (R); Option PCB	1	99	
017-18102-100	Reinforce Plate; Image PCB	1	99	
017-21108-208	Bracket; Wire Harness	1	37	
017-21501-201	Paper Feed Tray	1	11,13	
017-21507-102	Slide Rack F; P. -F. -T.	1	13	
017-21701-103	Guide Plate (Lower)	1	21	
017-21704-005	Guide Plate (Upper)	1	21	
017-22107-108	Light Absorber Strip; B4	1	33	
017-22206-009	Bracket; Bottle SW	1	26	

Part No.	Part Name	Q'ty	Page	Unit Value
017-22301-001	Bracket II; Drum Control PCB2	1	25,29	
017-23201-000	Bracket FII; Suction	1	3,5	
017-23202-104	Bracket RII Suction	1	3,5	
017-23203-003	Sheet A; Suction	1	47	
017-23204-000	Sheet B; Suction	1	47	
017-23205-006	Sheet C; Suction	1	47	
017-23311-000	Nozzle; Separation	2	43	
017-23312-007	Bracket II; Separation Fan	1	43	
017-23313-100	Cover II; Separation Fan	1	43	
017-23314-000	Bracket II; P. -Rcv. Sensor II (Receive)	1	43,45	
017-23401-301	Set Plate D-F; P.-Rcv.-T.	1	3,5	
017-23403-304	Set Plate D-R; P.-Rcv.-T.	1	3,5	
017-23405-005	Bracket D; Magnet Catch; P.-Rcv.-T.	1	3,5	
017-23801-203	Bracket; Suction Drive	1	41	
017-23604-202	Shaft; Clutch	1	41	
017-23605-403	Clutch Cover	1	41	
017-24101-107	Right-Side Frame; M. -Rmv.	1	81,85,87	
017-24104-106	Left-Side Frame; M. -Rmv.	1	81,85,87	
017-24106-001	Stay A; M. -Rmv.	1	81,85	
017-24108-101	Bracket; Disposal Box Master Sensor	1	81,85,87	
017-24109-108	Actuator; M. -Rmv. Hook Sensor	1	81,85,87	
017-24110-009	Bracket; M. -Rmv. Hook Sensor	1	81,85,87	
017-24111-005	Set Plate F; M. -Rmv.	1	81,85,87	
017-24112-001	Set Plate R; M. -Rmv.	1	81,85,87	
017-24113-008	Fixing Plate F; M. -Rmv.	1	81,85,87	
017-24114-004	Fixing Plate R; M. -Rmv.	1	81,85,87	
017-24115-000	Shaft II; M. -Rmv. Hook; B4	1	81,85	
017-24116-007	Shaft II; M. -Rmv. Hook; A4	1	81,85	
017-24131-200	Upper Holder B; V.-Transport Roller	1	81,85	
017-24135-001	Upper Holder A; V.-Transport Roller	1	81,85	
017-24138-000	Guide Boss; M. -Rmv.	2	81,85,87	
017-24139-104	Knob; M. -Rmv.	2	81,85,87	
017-24140-005	Knob Shaft; M. -Rmv.	2	81,85,87	
017-24141-001	Lock Plate	2	81,85,87	
017-24146-003	Bracket; Aero Guide Sheet	1	69	
017-24147-000	Aero Guide Sheet	1	69	
017-24148-103	Disposal Box Guide	1	66	
017-24151-007	Guide Collar; Disposal Box Guide	2	66,82	
017-24152-100	Bracket F; Master Removal Fan	1	69,73	
017-24153-107	Bracket R; Master Removal Fan	1	69,73	
017-24154-006	Sensor Cover; Disposal Box Guide	1	66	
017-24161-002	Disposal Box Guide II	1	82	
017-24163-005	Bracket; Disposal Box Master Sensor	1	82	
017-25005-004	Frame A; M. -M.	1	71	
017-25011-004	Copy Guide Plate II (Lower); B4	1	71	

No.	Part No.	Part Name	Q'ty	Remark
28	017-11237-000	*Cam; Pressure Roller; B4	1	
	019-91227-004	Main Shaft Ass'y; A3	1	A3
27	019-91228-000	*Main Pulley; Main Shaft	1	
28	019-21201-008	*Cam; Pressure Roller; A3	1	
29	006-11216-106	Bearing House A; Main Shaft	1	
30	017-11209-103	Face Plate; Main Shaft	1	
31	443-30003-003	Sensor; LG-203D	2	
32	017-11202-001	Bracket B; Sensor	2	
33	011-11235-003	P. Disc	1	
34	017-91235-002	Face Plate; Pressure Shaft	1	
35	011-11255-004	Pressure Sensor Disc	1	
36	620-97506-006	Belt; 750-3GT-6	1	
	019-91230-005	Pressure Link Ass'y		A3
	017-91230-108	Pressure Link Ass'y		B4, A4, L
37	017-11215-006	*Pressure Link; Bottom	1	
38	017-11214-000	*Pressure Link; Top	1	
39	019-21202-004	*Spring C; Pressure Link	1	A3
39	017-11226-008	*Spring B; Pressure Link	1	B4, A4, L
40	017-11217-009	*Link Boss B	1	
41	017-11224-005	*Link Spacer	1	
42	607-15002-003	*Metal; FB x 12 x 5; 16 x 2	2	
43	017-11216-002	*Link Boss A	1	
44	638-90804-006	*Washer; 8 x 15 x 0.4	1	
45	607-70815-005	*Washer; UH3000	1	
46	011-11245-009	*Gear; Pressure Adj. Screw	1	
47	017-11227-004	*Pressure Adj. Screw	1	
48	017-11225-001	*Spring; Pressure Link	1	
49	017-11223-009	*Linking Plate; Drive Base	1	
50	017-11234-000	*Spring; Linking Plate	1	
51	011-11276-206	*Hook Lever	1	
52	011-11270-003	*Shaft; Hook Lever	1	
53	002-11304-103	*Spring; Hook Lever	1	
54	011-11289-006	*Bracket; Hook Lever Spring	1	
55	011-11280-106	*Pressure Hook	1	
56	011-91245-004	*Pressure Solenoid Ass'y	1	

No.	Part No.	Part Name	Q'ty	Remark
	019-91211-000	Unit/Main Motor; T		
1	019-91212-007	*Main Motor Ass'y; T	1	
	011-60027-106	**Photoelectron Disc.	1	
	017-60031-000	**Encoder Sensor	1	
2	002-11220-007	*Cam; Guide Roller	1	
3	011-11240-309	*Cam; Timing Roller	1	
	019-91220-000	Unit/Drive		
4	019-11213-008	*Base Plate; P. -F. Clutch	1	
5	019-65001-006	*P. -F. Clutch	1	
6	019-11206-001	*Bracket; P. -F. Clutch	1	
7	600-08242-006	*Bearing; 62BZZ	6	
8	600-20061-009	*Bearing; 608ZZ	1	
9	011-11208-103	*Base Shaft Plate; Slide Plate	1	
10	019-11201-000	*Idler Pulley	4	
11	002-11227-001	*Spacer; Slide Plate	6	
12	019-11209-000	*Slide Plate (Base)	1	
13	002-11225-009	*Support Block; Slide Plate	2	
14	006-11224-109	*Slide Plate (Front)	1	
15	011-11231-008	*Shaft Block; Slide Plate	1	
16	011-11230-001	*Shaft; Slide Plate	1	
17	638-90616-005	*Washer; 6.1 x 12 x 1.6	1	
18	607-13000-003	*Metal; F6 x 10/9 x 4; 12 x 1.5	2	
19	017-13000-006	*Shaft Base Block; Slide Plate	1	
20	011-11232-004	*Gear; Slide Plate	1	
21	017-11227-000	*Reinforce Plate; Slide Plate	1	
22	620-78309-003	*Belt; 830-5GT-11	1	
23	002-11291-109	*Sector Gear	1	
24	011-11296-002	Spring; Sector Gear	1	
25	017-11201-102	Bracket A; Sensor	1	
26	443-30003-003	Sensor; LG-203D	1	
	019-91226-008	Main Shaft Ass'y; A4		A4
27	019-91228-000	*Main Pulley; Main Shaft	1	
28	017-11238-006	*Cam; Pressure Roller; A4	1	
	019-91225-001	Main Shaft Ass'y		B4, L
27	019-91228-000	*Main Pulley; Main Shaft	1	

Part No.	Part Name	Q'ty	Page	Unit Value
017-60018-003	Stack Paper Feeding SW	1	21,23	
017-60020-300	Drum PCB	1	26,30	
017-60021-101	Image Scanner	1	57	
017-60022-108	Image Scanner; 49	1	57	
017-60025-000	Micro-SW Ass'y 3	1	9	
017-60031-000	Encoder Sensor	1	17	
017-60037-105	Master Sensor II	1	81,85,87	
017-65000-005	Thermal Pressure Motor III Ass'y	1	71,75	
017-65002-008	Elevator Motor	1	9	
017-65003-004	M. -Rmv. Vertical Transport Motor	1	81,85,87	
017-65004-205	Clamp Motor	1	39,41	
017-65005-309	Pressure Control Motor	1	39,41	
017-65006-003	Wing Motor; Suction	1	49	
017-65010-005	Suction Fan Ass'y	1	47	
017-65011-007	Loading Fan; Stocker	1	69,73	
017-65015-002	Loading Pulse Motor	1	39,41	
017-65016-300	Inking Motor	1	26,30	
017-65019-008	Separation Fan	2	43	
017-91206-002	Pressure Det. Ass'y		18	
017-91230-108	Pressure Link Ass'y		17	
017-91235-002	Face Plate; Pressure Shaft	1	17	
017-91240-103	Unit/Print Positioning Motor		39,41	
017-91266-005	Pressure Control Motor Ass'y	1	39,41	
017-91310-209	Timing Roller Ass'y		21	
017-91510-003	Unit/Paper-Feed Tray II		13	
017-91511-000	Unit/Paper-Feed Tray		11	
017-91512-006	Unit/Paper-Feed Tray II; US		13	
017-91513-002	Unit/Paper-Feed Tray; US		11	
017-91610-008	Shaft; Elevator	1	9	
017-91620-003	Unit/Elevator Motor		9	
017-91720-008	Unit/Guide Plate II		21	
017-91805-003	Feed Tray Safety SW Ass'y II		9	
017-91813-200	Scraper Ass'y		9	
017-92108-004	Unit/Drum Screen; B4		33	
017-92117-003	Unit/Drum Screen; US		33	
017-92118-000	Unit/Drum Screen; A4		33	
017-92120-004	Drum Body Ass'y; B4	1	33	
017-92121-000	Drum Body Ass'y; US	1	33	
017-92122-007	Drum Body Ass'y; A4	1	33	
017-92220-009	Unit/Ink Pump		25	
017-92231-000	Unit/Squeegee III; OW		25	
017-92300-002	Unit/Drum Frame		25,29	
017-92330-009	Color Seal Set		26,30	
017-92332-001	Color Seal Set N		26,30	
017-92400-007	Unit/Clamp		39,41	

Part No.	Part Name	Q'ty	Page	Unit Value
017-93110-002	Magnet Catch Ass'y D; P.-Rcv.-T.		3,5	
017-93205-100	Suction Unit W		49	
017-93206-204	Suction Unit II		47	
017-93216-005	Paper Receiving Sensor II (Receive) Ass'y		43,45	
017-93220-002	Angular Sensor Ass'y		39,41	
017-93301-002	Separation Fan Ass'y II		43	
017-93310-001	Separator Ass'y		43	
017-93602-100	Unit/Clutch		41	
017-94105-002	Unit/Master Removal II		81,85	
017-94106-009	Unit/Master Removal II; A4		81,85	
017-94115-105	Holder Ass'y II; V.-Transport Roller		81,85	
017-94116-004	Holder Ass'y II; V.-Transport Roller; A4		81,85	
017-94130-210	Unit/Master Disposal Box; B4		89	
017-94135-106	Unit/Master Disposal Box; A4		89	
017-95003-009	Unit/Master Making		71	
017-95004-005	Unit/Master Making		71	
017-95011-001	Master Loading Unit SW Ass'y		69	
017-95042-004	TPH Ass'y; T400 GR		71	
017-95043-009	TPH Ass'y; T300GR		71	
017-95044-007	TPH Ass'y; K300GR		71	
017-95050-007	Unit/Loading Pulse Motor		39,41	
017-95072-000	Set Guide Plate Ass'y II; B4		69	
017-95073-007	Set Guide Plate Ass'y II; A4		69	
017-95096-007	Stocker Ass'y II		69	
017-95246-106	Guide Flange III Ass'y	1	69	
017-95247-005	Guide Flange III A4 Ass'y	1	69	
017-95250-006	Damper Gear Ass'y	1	69	
017-95251-002	Damper Gear Ass'y; A4	1	69	
017-95280-100	Unit/Master Roll Holder III; B4		69	
017-95281-009	Unit/Master Roll Holder III; A4		69	
017-95302-103	Unit/Cutter II; B4		77	
017-95303-002	Unit/Cutter II; A4		77	
017-96000-208	Unit/ADF		57,89	
017-96100-105	Unit/Upper Rear Frame		3	
017-96110-100	Upper Cover Set SW Ass'y		3	
017-96200-002	Interlock Switch		93	
017-97036-001	Unit/Operation Panel; 1750 US		93	
017-97037-008	Unit/Operation Panel; 1750 Pic.		93	
017-97038-004	Unit/Operation Panel; 1750		93	
017-97039-000	Unit/Operation Panel; 1700 US		93	
017-97040-009	Unit/Operation Panel; 1700 Pic.		93	
017-97041-005	Unit/Operation Panel; 1700		93	
017-97091-002	Sub-Panel Ass'y; 1750 US		93	
017-97092-009	Sub-Panel Ass'y; 1750 Pic.	1	93	
017-97093-005	Sub-Panel Ass'y; 1750	1	93	

Part No.	Part Name	Q'ty	Page	Unit Value
017-97094-001	Sub-Panel Ass'y; 1700 US	1	93	
017-97095-008	Sub-Panel Ass'y; 1700 Pic.	1	93	
017-97096-004	Sub-Panel Ass'y; 1700	1	93	
017-97100-001	Unit/ADF Cover		101	
017-97110-007	Unit/Upper Cover		55	
017-97151-005	Key Board Cover; 1750 US	1	93	
017-97152-001	Key Board Cover; 1750 Pic.	1	93	
017-97153-008	Key Board Cover; 1750	1	93	
017-97154-004	Key Board Cover; 1700 US	1	93	
017-97155-000	Key Board Cover; 1700 Pic.	1	93	
017-97156-007	Key Board Cover; 1700	1	93	
017-97300-108	Wire Harness; JS III	1	109	
018-16002-105	Scanner Holder (F)	1	65	
018-16003-209	Scanner Holder (R)	1	65	
018-16004-000	Adj. Pin; Scanner Holder	2	65	
018-16005-007	Guide Wheel; Carriage	2	65	
018-16011-007	Boss; Carriage	1	65	
018-16012-003	Arm Spring; Carriage	1	65	
018-16013-301	Carriage; Image Scanner	1	65	
018-16017-005	Drive Pulley Shaft; FB-Scanner	1	65	
018-16018-001	Drive Pulley Holder; FB-Scanner	1	65	
018-16019-008	Belt Stand Plate; FB-Scanner	1	65	
018-16020-006	Belt Holder Plate; FB-Scanner	1	65	
018-16022-009	Tension Shaft; FB-Scanner	1	65	
018-16023-005	Tension Holder; FB-Scanner	1	65	
018-16024-001	Tension Plate; FB-Scanner	1	65	
018-16027-000	Tension Spring; FB-Scanner	1	65	
018-16028-007	Bracket; R Pulse Motor	1	66	
018-16029-003	Shock-Absorbent Rubber; R Pulse M.	1	66	
018-16030-001	Wire Stand; FB-Image	1	65	
018-16031-105	Bracket; FB-Pos. Sensor	2	65	
018-16032-101	Actuator Stage Cover Sensor	1	65	
018-16035-003	Actuator Spring; Stage Cover Sensor	1	65	
018-16036-107	Slide Shaft; FB-Scanner	1	65	
018-16037-006	Adj. Plate; FB-Slide Shaft	2	65	
018-16038-002	Glass Holder (L)	1	65	
018-16039-009	Glass Holder (R)	1	66	
018-16040-104	Stage Glass	1	65	
018-16042-107	Original Stopper	1	65	
018-16043-006	Cover Plate; Image Flexible Wire	1	65	
018-16044-002	Ground Plate; FB-Scanner	1	65	
018-16045-106	Core Holder	1	65	
018-16047-109	Bracket; Stage Cover Sensor	1	65	
018-16060-202	Back Frame; FB-Scanner	1	65	
018-16064-003	Blind Plate; FB-Back Frame	1	65	

Part No.	Part Name	Q'ty	Page	Unit Value
018-16065-000	Wire Harness Tubing	1	66	
018-16066-006	Shading Plate (L)	1	65	
018-16067-100	Shading Plate (R)	1	65	
018-16071-000	Protection Tape; Stage Glass	2	66	
018-16201-000	Fulcrum Shaft; FB	1	5	
018-16202-007	Stepped Screw; M6 x 10	2	5,7	
018-16207-009	Fulcrum Support Plate; FB	1	5	
018-16217-004	Hook Shaft; FB	1	65	
018-16218-000	Shaft; Hook Base	2	65	
018-16220-005	Hook Base (F); FB-Hook Shaft	1	65	
018-16222-105	Hook Base (R); FB-Hook Shaft	1	65	
018-16223-004	Spring; Hook Shaft	1	65	
018-16224-000	Open Lever; Hook Shaft	1	65	
018-16225-104	Bracket (F); Hook Shaft	1	65	
018-16227-204	Bracket (R); Hook Shaft	1	65	
018-16229-002	Hook Plate (F); FB	1	5,7	
018-16239-105	Bracket B; Interlock Switch FB	1	93,97	
018-16241-002	Bracket; Damper Stopper	1	5,7	
018-16242-009	Spring; Damper Stopper	1	5,7	
018-16243-102	Cap; Damper Stopper	1	5,7	
018-16250-001	Damper Hook; FB-Scanner	2	65	
018-16253-000	Hinge Bracket; FB-Scanner	2	65	
018-16254-007	Plate Spring; Interlock Switch FB	1	93,97	
018-16255-003	Balance Weight; FB	8	65	
018-16301-307	Scanner Cover (F); FB	1	103	
018-16302-303	Scanner Cover (R); FB	1	103	
018-16303-300	Scanner Cover (Left); FB	1	103	
018-16304-209	Scanner Cover (Right); FB	1	103	
018-16305-302	Cover B; FB-ADF	1	61	
018-16306-007	ADF Cover (F); FB	1	103	
018-16307-003	ADF Cover (R); FB	1	103	
018-16308-000	ADF Cover (Right); FB	1	103	
018-16309-200	Original Tray; FB	1	103	
018-16310-101	Original Side Guide	2	103	
018-16312-007	Shaft; Original Tray	2	103	
018-16401-204	Stage Cover; FB	1	105	
018-16403-100	LCD Cover; Digitizer	1	107	
018-16406-206	PCB Cover; Stage Cover	1	105,107	
018-16411-102	Original Holder Cover (Upper); Stage Cover	1	105	
018-16412-400	Original Holder Cover (Lower); Stage Cover	1	105	
018-16413-008	Cover B; Stage Cover	1	105	
018-16415-302	Balance Weight A; Stage Cover	1	105	
018-16416-104	Balance Weight B; Stage Cover	1	105	
018-16417-100	Balance Weight C; Stage Cover	1	105	
018-16418-000	Cord Cap; Stage Cover	1	105	

Part No.	Part Name	Q'ty	Page	Unit Value
018-16420-004	Actuator Plate; Stage Cover	1	105,107	
018-16425-006	Stage Pad (W); Stage Cover	1	105,107	
018-16427-106	Stylus Pen III	1	107	
018-16428-005	SW Guide; Digitizer	1	107	
018-16431-006	LCD Filter; Digitizer	1	107	
018-16501-004	Stripper Pad; FB-ADF	1	61	
018-16502-108	Glass Plate; Image Scanner	1	61	
018-16503-104	Main Gear; FB-ADF	1	63	
018-16504-003	Stepped Screw; M4 x 13	1	63	
018-16506-006	Stopper Plate; FB-ADF	1	63	
018-16507-100	Tension Plate; FB-ADF	1	63	
018-16508-106	Side Frame L; FB-ADF	1	61	
018-16509-200	Side Frame R; FB-ADF	1	61	
018-16510-003	Tension Pulley B; FB-ADF	1	63	
018-16512-200	Upper Frame; FB-ADF	1	63	
018-16513-002	Transfer Roller; FB-ADF	1	63	
018-16514-009	Exit Roller (Upper); FB-ADF	1	63	
018-16516-109	Read Roller	1	63	
018-16517-008	Bracket; ADF SW	1	61	
018-16518-101	Motor Cover; FB-ADF	1	63	
018-16519-000	Original Guide (F); FB-ADF	1	63	
018-16520-009	Original Guide Base (F); FB-ADF	1	61	
018-16522-001	Bracket; ADF Motor	1	63	
018-16523-008	Hook Plate; FB-ADF	1	63	
018-16526-007	Spacer; WHG	1	63	
018-16527-003	Arm; Pickup Solenoid	1	61	
018-16528-000	Frame B; FB-Original Guide	1	61	
018-16529-006	Stripper Arm; FB-ADF	1	61	
018-16530-004	Pickup Arm; FB-ADF	1	61	
018-16531-108	Pickup Pad Holder; FB-ADF	1	61	
018-16532-007	Open Lever; FB-ADF	1	63	
018-16533-100	Glass Holder R; Image Scanner	1	61	
018-16534-107	Glass Holder L; Image Scanner	1	61	
018-16535-103	Bracket; Original Out Sensor	1	63	
018-16536-002	Bracket; Original Det. Sensor	1	63	
018-16537-009	Bracket; Original Regist. Sensor	1	63	
018-16538-005	Pickup Shaft; FB-ADF	1	61	
018-16539-001	Shaft; Stripper Roller; FB-ADF	1	63	
018-16540-000	Pickup Roller (Upper); FB-ADF	1	63	
018-16541-006	Collar; Stripper Roller	1	59,63	
018-16542-100	Pulley; Transfer Roller	1	63	
018-16543-009	Tension Pulley A; FB-ADF	2	59,63	
018-16544-005	Pulley; Read Roller	1	63	
018-16545-001	Exit Pulley; FB-ADF	1	63	
018-16546-008	Spacer; Main Gear; FB-ADF	1	63	

Part No.	Part Name	Q'ty	Page	Unit Value
018-16547-004	Metal; 8P	2	63	
018-16548-000	Metal; 8M	4	61,63	
018-16549-007	Housing; Exit Roller	2	63	
018-16550-102	Housing; Read Roller	2	63	
018-16551-001	Metal; 6	2	61	
018-16552-008	Spacer; Exit Roller	1	61,63	
018-16553-004	Spring; Stripper Arm	1	61	
018-16554-000	Metal; Exit Roller	1	61	
018-16555-007	De-electricity Brush A; FB-ADF	2	63	
018-16556-003	Spring; Open Lever	2	63	
018-16557-107	Spring; Pickup Solenoid	1	57,61	
018-16558-006	Spring R; FB-ADF	1	63	
018-16559-002	Spring L; FB-ADF	1	63	
018-16560-000	Pickup Shaft; FB-ADF	1	61	
018-16561-104	ADF Motor; FB	1	63	
018-16562-003	Pickup Solenoid; FB-ADF	1	61	
018-16563-000	Read Pulse Motor; FB-ADF	1	63	
018-16564-006	Original Det. Sensor	1	63	
018-16565-002	Original Regist. Sensor	1	63	
018-16566-009	Original Out Sensor	1	63	
018-16567-005	Original IN Sensor (Send)	1	63	
018-16568-001	Original IN Sensor (Receive); FB-ADF	1	61	
018-16569-008	Wire Harness; Original IN Sensor	1	61	
018-16570-006	ADF SW; FB	1	61	
018-16571-002	Wire Harness; FB-ADF SW	1	61	
018-16572-009	Belt B; 56	1	63	
018-16574-109	Pickup Pad; FB-ADF	1	61	
018-16575-008	Collar; Pickup Roller; FB-ADF	1	63	
018-16576-004	Sheet Guide; FB-ADF	2	63	
018-16577-000	Bushing; FB-ADF	3	63	
018-16578-201	Free Bushing	1	61	
018-16579-003	Sheet; Pickup; FB-ADF	2	61	
018-16580-001	Spacer; Stripper; FB-ADF	1	61	
018-16581-008	Bushing (1); ADF Motor	1	63	
018-16582-004	Bushing (2); ADF Motor	1	63	
018-16583-000	Bushing (3); ADF Motor	1	63	
018-16584-007	Sheet; Original Guide Base (F)	2	61	
018-16585-003	Belt; 118	1	63	
018-16590-007	Roller Spring II; ADF	2	61	
018-16591-003	Guide Plate; FB-ADF	1	63	
018-16592-000	Original Guide Base (R); FB-ADF	1	61	
018-16593-006	Exit Wheel; ADF; FB	2	61	
018-26201-408	Bottom Plate; FB-Scanner	1	65	
018-26205-004	Bracket; Back Cover	1	5	
018-26206-108	Upper Rear Frame; FB	1	5	

Part No.	Part Name	Q'ty	Page	Unit Value
018-27203-005	Mole; 2750	1	103	
018-27204-001	Mole; 2710	1	103	
018-51000-107	Trimming PCB II	1	99	
018-51004-200	Digitizer PCB III	1	107	
018-51006-008	Digitizer Power PCB	1	107	
018-51007-101	LED CTL PCB		93	
018-51008-000	GR LED PCB	1	93	
018-55000-101	Image Flexible Wire	1	65	
018-55001-108	Wire Harness; FB	1	65	
018-55003-003	Wire Harness; ADF (FB)	1	63,66,69	
018-55006-002	Wire Harness; FB	1	66,99	
018-55007-203	Wire Harness; Digitizer III	1	107,109	
018-55008-005	Wire Harness; Image-Digitizer	1	109	
018-55013-009	Ground Wire II; Digitizer	1	107	
018-55014-005	Wire Harness; Digitizer Power	1	107	
018-60000-004	Original Det. Sensor; FB	1	65	
018-60021-206	Image Scanner; CIPSMA301	1	65	
018-65000-002	R Pulse Motor; FB	1	66	
018-70013-104	INF ROM (ST); Digitizer	1	107	
018-70014-003	INF ROM (OP1); Digitizer	1	107	
018-70015-000	INF ROM (OP2); Digitizer	1	107	
018-70016-006	INF ROM (OP3); Digitizer	1	107	
018-70017-002	INF ROM (OP4); Digitizer	1	107	
018-96001-053	Unit/Scanner FB; 2710		65	
018-96050-008	Flat Bed PCB	1	65	
018-96075-000	Image Flexible Wire Ass'y		65	
018-96120-006	Unit/Upper Rear Frame; FB		5	
018-96200-107	Unit/Stage Cover		105	
018-96210-005	Stage Cover Hinge Ass'y	2	105	
018-96220-302	Ass'y/Digitizer Stage Cover; FB	1	107	
018-96500-008	Original Tray Ass'y; FB		103	
018-97018-000	Unit/Operation Panel; 2750 US		97	
018-97019-007	Unit/Operation Panel; 2750 Pic.		97	
018-97020-005	Unit/Operation Panel; 2750		97	
018-97022-008	Unit/Operation Panel; 2710 Pic.		93	
018-97023-004	Unit/Operation Panel; 2710		93	
018-97083-007	Sub-Panel Ass'y; 2750 US	1	97	
018-97084-003	Sub-Panel Ass'y; 2750 Pic.	1	97	
018-97085-000	Sub-Panel Ass'y; 2750	1	97	
018-97087-002	Sub-Panel Ass'y; 2710 Pic.	1	93	
018-97088-009	Sub-Panel Ass'y; 2710	1	93	
018-97152-009	Key Board Cover; 2750 US		97	
018-97153-005	Key Board Cover; 2750 Pic.		97	
018-97154-001	Key Board Cover; 2750		97	
018-97156-004	Key Board Cover; 2710 Pic.	1	93	

Part No.	Part Name	Q'ty	Page	Unit Value
018-97157-000	Key Board Cover; 2710	1	93	
019-11201-000	Idler Pulley	4	17	
019-11206-001	Bracket; P. -F. Clutch	1	17	
019-11209-000	Slide Plate (Base)	1	17	
019-11213-008	Base Plate; P. -F. Clutch	1	17	
019-11214-004	Bracket; Print Positioning Motor	1	39,41	
019-11520-008	Support Plate R; Feed Board	1	11,13,15	
019-11521-004	Support Plate L; Feed Board	1	11,13,15	
019-11522-108	Link Plate; Side Guide; P. -F. -T.	2	11,13,15	
019-11524-003	Slide Sheet; P. -F. -T.	4	11,13,15	
019-11706-101	Bracket; Stripper Unit	1	21,23	
019-11710-109	Guide Base; Stripper	1	21,23	
019-11711-008	Stripper Sheet	1	21,23	
019-11712-101	Cover Plate; Stripper	1	21,23	
019-11713-000	Base Plate; Stripper	1	21,23	
019-11714-007	Stripper Cover	1	21,23	
019-11715-003	Spring; Stripper	1	21,23	
019-11801-007	Holder Plate; Scraper	1	9	
019-11803-000	Upper Arm; Scraper	1	9	
019-11804-006	Spring; Scraper	1	9	
019-11811-002	Spring B; P.-F. Pressure Adj.	1	9	
019-11812-009	Lock Ring	4	9	
019-12206-005	Adj. Plate (Front); Squeegee	1	25,29	
019-12207-001	Adj. Plate (Back); Squeegee	1	25,29	
019-12208-008	Spacer; 18 x 10 x 1.8	2	25,29	
019-12209-004	Holder; Bottle SW	1	26,30	
019-12210-002	Set Plate; Bottle SW	1	26,30	
019-12211-009	Spring; Bottle SW	1	26,30	
019-12301-008	Rail B; Drum	1	37	
019-12302-101	Drum Cover (Upper)	1	26,30	
019-12303-108	Drum Cover (Lower)	1	26,30	
019-12304-007	Guide Block; Drum Holder	1	37	
019-12305-100	Drum Holder	1	37	
019-12307-006	Spring; Locking Plate; Drum	1	25,29	
019-12308-002	Drum Catch (R) II	1	37	
019-13101-100	Receiving Tray Plate	1	53	
019-13102-009	Paper Guide F; P. -Rcv. -T.	1	53	
019-13103-005	Paper Guide R; P. -Rcv. -T.	1	53	
019-13104-001	Frame; P. -Rcv. -T.	1	53	
019-13109-003	Ground Plate; P. -Rcv. -T.	2	53	
019-13110-001	Slide Rail A; P. -Rcv. -T.	1	53	
019-13111-008	Slide Rail B; P. -Rcv. -T.	2	53	
019-13112-004	Reinforce Plate; P. -Rcv. -T.	2	53	
019-13113-108	Back Stop; P. -Rcv. -T.	1	53	
019-13115-100	Flap; P. -Rcv. -T.	16	53	

Part No.	Part Name	Q'ty	Page	Unit Value
019-13116-107	Flap Cover; P. -Rcv. -T.	4	53	
019-13119-009	Lock Plate; P.-Rcv.-T.	2	3,5,7	
019-13203-000	Gear Pulley 38; Suction	1	49	
019-13301-109	Separator II	1	43,45	
019-13501-000	Cylinder; Air Pump	1	43,45	
019-13503-003	Cam Pulley; Air Pump	1	43,45	
019-13504-000	Cam Plate; Air Pump	1	43,45	
019-13507-106	Bracket; Air Pump	1	43,45	
019-13511-006	Arm; Air Pump	1	43,45	
019-13512-002	Arm Shaft; Air Pump	1	43,45	
019-13514-005	Air Hose; Separator	1	43,45	
019-13516-008	Piston Head II; Air Pump	1	43,45	
019-13517-004	Cylinder Valve II; Air Pump	1	43,45	
019-13518-000	Cylinder Valve Sheet; Air Pump	1	43,45	
019-13601-102	Gear A; Clutch	1	41	
019-13602-001	Gear B; Clutch	1	41	
019-13603-105	Drive Gear; Clutch	1	41	
019-13604-004	Idler Gear; Clutch	1	41	
019-13610-209	Bracket; Tension Pulley	1	18	
019-15125-006	Base Plate; Write Pulse Motor	1	39,41	
019-15269-008	Damper Gear	1	69,73	
019-15270-006	Damper Case	1	69,73	
019-15273-005	Spring; Master Holder	1	69,73	
019-15274-001	Shaft Flange; Master Holder	1	69,73	
019-15277-000	Guide Flange; Master Holder	1	69,73	
019-15281-105	Flange F; Master Roll	1	69,73	
019-15282-101	Flange R; Master Roll	1	69,73	
019-16002-102	Arm (L); Carriage	1	65	
019-16004-105	Arm (R); Carriage	1	65	
019-16036-007	Slide Shaft B; FB-Scanner	1	65	
019-16050-107	Main Frame; FB-Scanner	1	65	
019-16070-205	Slide Guide; FB-Scanner	1	65	
019-16214-100	Shaft; Damper Bottom Bracket	2	66	
019-16215-009	Damper Bottom Bracket	2	66	
019-16236-103	Bracket; Interlock Switch FB	1	93,97	
019-17008-007	Mylar Sheet; Panel SW	1	93,97	
019-17009-100	Sheet B; Panel	1	93,97	
019-17010-109	Sheet A; Panel	2	93,97	
019-17011-008	Door; Panel	1	93,97	
019-17090-102	Reinforce Plate; Panel	1	93,97	
019-17096-100	Grand Plate; Panel	1	93,97	
019-17100-205	Front Cover	1	101,103	
019-17104-200	Front Right Cover	1	101,103	
019-17201-109	Inner Cover A	1	101,103	
019-17202-008	Upper Hinge	1	3,5,7	

Part No.	Part Name	Q'ty	Page	Unit Value
019-17205-007	Bracket C; Keyboard	1	3,5,7	
019-17206-003	Bracket D; Keyboard	1	3,5,7	
019-17209-002	Bracket; Counter; En	1	93,97	
019-17210-000	Bracket; Counter; Pic.	1	93,97	
019-17212-003	Bracket; Hinge	1	3,5,7	
019-17215-002	Lower Hinge; Front	1	101,103	
019-17236-204	Bracket; Motor Control PCB	1	99	
019-17241-208	Shaft Stopper; Damper	1	66	
019-17242-107	Bracket; Power Supply Fan	1	93,97	
019-17251-106	Lock Plate; Support Shaft	1	5,7	
019-17252-200	Hook Plate (R); FB	1	5,7	
019-17255-004	Support Shaft Lock	1	66	
019-18100-209	Bracket (R); System PCB	1	99	
019-18101-108	Bracket (L); System PCB	1	99	
019-18103-208	Reinforce Plate; System PCB	1	99	
019-18107-106	Bracket; Trimming PCB	2	99	
019-18121-001	Cover Plate; Power Supply	1	97	
019-18122-105	Side Cover; Power Supply	1	93,97	
019-21201-008	Cam; Pressure Roller; A3	1	17	
019-21202-004	Spring C; Pressure Link	1	17	
019-21301-002	Shaft; Timing Roller	1	23	
019-21302-009	Bracket; Timing Roller	1	23	
019-21501-001	Shaft B; P. -F. -T.	1	15	
019-21502-105	Paper Feed Tray	1	15	
019-21503-101	Paper Feed Tray; US	1	15	
019-21512-003	Slide Rack F; P. -F. -T.	1	15	
019-21513-000	Slide Rack; P. -F. -T.	1	15	
019-21514-006	Actuator Plate; P. -F. -T.	1	15	
019-21517-005	Bracket; P. -F. -T.	1	15	
019-21518-001	Bracket; Size VR; P. -F. -T.	1	15	
019-21519-008	Feed Board	1	15	
019-21602-002	Spring; Elevator	2	9	
019-21701-108	Guide Plate (Lower)	1	23	
019-21703-003	Guide Plate (Upper)	1	23	
019-21801-005	Cover; Pickup Roller	1	9	
019-21802-001	Bracket; Feed Tray Safety SW	1	9	
019-21805-108	Shaft; Pickup Roller	1	9	
019-22101-104	Drum Body Support (Right); A3	1	35	
019-22102-100	Screen Ass'y; A3	1	35	
019-22107-005	Spring; Screen	2	35	
019-22108-001	Clamp Plate Base	1	35	
019-22111-002	Clamp Magnet A; A3	1	35	
019-22112-106	Light Absorber Strip; A3	1	35	
019-22113-102	Anti-Wrinkle Strip; Drum	1	35	
019-22203-004	Bracket; Bottle SW	1	30	

Part No.	Part Name	Q'ty	Page	Unit Value
019-22206-003	Reverse Rotation Stopper B	1	29	
019-23201-005	Cover Plate II; Suction	1	49	
019-23202-001	Jump Wing (F); Suction; A3	1	49	
019-23203-008	Jump Wing (R); Suction; A3	1	49	
019-23204-004	Bracket F; Suction; A3	1	7	
019-23205-000	Bracket R; Suction; A3	1	7	
019-23301-000	Shaft; Separator II; A3	1	45	
019-23401-209	Set Plate F; P. -Rcv.-T.; A3	1	7	
019-23403-201	Set Plate R; P. -Rcv.-T.; A3	1	7	
019-23405-000	Bracket; Magnet Catch; P. -Rcv.-T.; A3	1	7	
019-23601-208	Bracket; Suction Drive; A3	1	41	
019-23604-207	Shaft; Clutch; A3	1	41	
019-23605-408	Clutch Cover; A3	1	41	
019-24101-004	Stay A; M. -Rmv.	1	87	
019-24102-108	Stay B; M. -Rmv.	1	87	
019-24103-007	Base Plate; M. -Rmv; A3	1	87	
019-24104-100	Guide Plate; M. -Rmv.; A3	1	87	
019-24105-000	Vertical Transport Roller (Down); A3	1	87	
019-24107-002	Shaft; M. -Rmv. Hook; A3	1	87	
019-24108-106	Upper Stay; M. -Rmv.	1	87	
019-24110-100	Master Guide; M. -Rmv.; A3	1	87	
019-24111-000	Guide Plate; M. -Rmv.; A3	1	87	
019-24112-103	Upper Holder B; V. - Transport Roller; A3	1	87	
019-24116-001	Upper Holder A; V. - Transport Roller; A3	1	87	
019-24119-000	Vertical Transport Roller (UP); A3	1	87	
019-24126-007	Bracket; Aero Guide Sheet	1	73	
019-24127-100	Aero Guide Sheet; A3	1	73	
019-24131-000	Disposal Box; A3	1	91	
019-24132-007	Disposal Box Cover; A3	1	91	
019-24133-003	Disposal Box Cover B; A3	1	91	
019-24134-000	Guide Plate; Disposal Box; A3	1	91	
019-24135-006	Lever Frame; Disposal Box; A3	1	91	
019-24137-009	Guide Shaft; Disposal Box; A3	1	91	
019-24138-005	Shaft; Compression Plate; A3	1	91	
019-25001-003	Frame A; M. -M.	1	75	
019-25006-200	Bracket; Wire Harness	1	7	
019-25007-001	Shaft; Load Roller	1	75	
019-25010-002	Cover A; M. -M.	1	75	
019-25011-009	Copy Guide Plate (Lower)	1	75	
019-25020-008	Set Plate; TPH	1	75	
019-25021-004	TPH Boss	3	75	
019-25111-003	Stocker	1	73	
019-25112-000	Stocker Cover	1	73	
019-25115-009	Set Sheet Plate; A3	1	79	
019-25116-005	Set Sheet	2	79	

Part No.	Part Name	Q'ty	Page	Unit Value
019-25121-009	Set Guide Plate; A3	1	73	
019-25201-002	Master Roll Holder; A3	1	73	
019-25301-104	Cutter Cover	1	79	
019-25302-208	Cutter Center Guide Sheet	1	79	
019-25304-103	Cutter Guide Sheet (F)	1	79	
019-25305-002	Master Guide Stopper Plate	1	79	
019-25306-009	Master Guide Stopper Cushion	1	79	
019-25307-005	Cutter Guide	1	79	
019-25308-001	Cutter Guide Sheet (R)	1	79	
019-25309-008	Gear; Cutter Motor	1	77,79	
019-26201-006	Fulcrum Shaft; FB	1	7	
019-26202-509	Bottom Plate; FB-Scanner	1	65	
019-26205-001	Fulcrum Support Plate; FB	1	7	
019-26206-105	Upper Rear Frame; FB	1	7	
019-26213-004	Bracket; Back Cover	1	7	
019-26214-000	Hook Shaft; FB; A3	1	65	
019-26215-104	Set Bracket; Wire Harness	1	7	
019-26216-003	Guide Plate; Wire Harness	1	7	
019-27202-103	Mole; 3750	1	103	
019-27240-102	Shaft; Damper	1	66	
019-27301-004	Protection Plate; Motor Con.	1	99	
019-51000-104	System PCB 2	1	99	
019-51001-208	Image Processing PCB F	1	99	
019-51003-006	Main SW PCB; Panel	1	97	
019-51005-009	Drum Control PCB2	1	25,29	
019-51006-005	Power Supply PCB VI H 100	1	93,97	
019-51007-109	Power Supply PCB VI H 200	1	93,97	
019-51008-105	Sub-Power Supply PCB VI H	1	71,75	
019-51013-303	Motor Control PCB2	1	99	
019-51016-000	LCD CTL PCB	1	97	
019-51022-000	Power Supply PCB VI N 100	1	93	
019-51023-104	Power Supply PCB VI N 200	1	93	
019-55004-007	Wire Harness; Master Loading Unit SW	1	69,73	
019-55005-003	Wire Harness; M. -Rmv.	1	81,85,87	
019-55006-204	Wire Harness; CN7	1	99	
019-55007-006	Wire Harness; Panel - Power	1	93,97	
019-55010-104	Wire Harness; Drum Inner	1	25,29	
019-55011-003	Wire Harness; Image	1	57,66,99	
019-55014-304	Wire Harness; CN9	1	99	
019-55015-009	Wire Harness J; Guide Plate	1	21,23	
019-55016-005	Wire Harness II; P. -F. -T.	1	13,15	
019-55022-102	Wire Harness; Panel-System	1	99	
019-55024-105	Wire Harness; Disposal Box Master Sensor	1	66	
019-55025-004	Inlet Terminal; 100V	1	93,97,99	
019-55026-000	Inlet Terminal; 200V	1	93,97,99	

Part No.	Part Name	Q'ty	Page	Unit Value
019-55027-007	Wire Harness; TPH-Power	1	71,75	
019-55028-003	Wire Harness; CN15	1	37,99	
019-55029-000	Wire Harness; CN14	1	93,97,99	
019-55031-004	Wire Harness S; P. -F. -T.	1	11	
019-55032-000	Wire Harness; Feed Tray Safety SW	1	9	
019-55036-103	Wire Harness; Suction	1	49	
019-55041-000	Wire Harness; Main Motor	1	99	
019-55042-006	Wire Harness; Cutter Motor	1	77,79	
019-55046-109	Wire Harness EMC; H	1	97,99	
019-55049-206	Wire Harness EMC; N		99	
019-55050-203	Wire Harness; S. Power N	1	71,93	
019-55052-206	Wire Harness EMC; N1700		99	
019-55059-006	Wire Harness; S. ADF	1	57	
019-60000-001	Disposal Box Master Sensor	1	66,82	
019-60001-008	Disposal Box Master Sensor (Rcv.)	1	81,85,87	
019-60006-107	Paper Receiving Sensor (Send) III	1	47,49	
019-60010-104	Bottle Set SW	1	26,30	
019-60011-003	Image Scanner; CIPSMA401-GR	1	65	
019-65001-006	P. -F. Clutch	1	17	
019-65002-002	Write Pulse Motor	1	39,41	
019-65003-009	Fan; Power Supply	1	93,97	
019-65005-001	Master Removal Fan	2	69,73	
019-65006-008	Separation Fan	1	45	
019-65007-101	Suction Clutch	1	41	
019-65008-108	Cutter Motor Ass'y	1	77,79	
019-65010-005	Suction Fan Ass'y	1	49	
019-80000-	System ROM; GR	1	99	
019-80004-	System ROM RL; GR	1	99	
019-80010-	Panel ROM	1	97	
019-91211-000	Unit/Main Motor; T		17	
019-91212-007	Main Motor Ass'y; T	1	17	
019-91220-000	Unit/Drive		17	
019-91225-001	Main Shaft Ass'y	1	17	
019-91226-008	Main Shaft Ass'y; A4	1	17	
019-91227-004	Main Shaft Ass'y; A3	1	17	
019-91228-000	Main Pulley; Main Shaft	3	17	
019-91230-005	Pressure Link Ass'y		17	
019-91310-009	Timing Roller Ass'y; A3		23	
019-91500-002	Unit/Paper-Feed Tray; A3		15	
019-91501-009	Unit/Paper-Feed Tray; A3; US		15	
019-91600-007	Shaft; Elevator	1	9	
019-91700-001	Unit/Guide Plate; A3		23	
019-91702-004	Unit/Stripper		21,23	
019-91703-000	Stripper Sheet Ass'y	1	21,23	
019-91800-006	Feed Tray Safety SW Ass'y; A3		9	

Part No.	Part Name	Q'ty	Page	Unit Value
019-91811-202	Scraper Ass'y		9	
019-91830-002	P.-F. Pressure Adj. Lever Ass'y		9	
019-92100-105	Drum Holder Ass'y		37	
019-92105-000	Unit/Drum Screen; A3		35	
019-92110-003	Drum Body Ass'y; A3	1	35	
019-92200-002	Unit/Squeegee; A3		29	
019-92220-003	Unit/Ink Pump; A3		29	
019-92230-009	Bottle Set SW Ass'y		26,30	
019-92320-008	Drum Set SW Ass'y		37	
019-93101-105	Unit/Paper Receiving Tray V; US		53	
019-93102-101	Unit/Paper Receiving Tray V; Pic.		53	
019-93103-108	Unit/Paper Receiving Tray V		53	
019-93110-007	Magnet Catch Ass'y; P. -Rcv.-T.; A3		7	
019-93200-103	Suction Unit W; A3		49	
019-93300-000	Separator Ass'y; A3		45	
019-93310-006	Separation Fan Ass'y		45	
019-93320-109	Air Pump Ass'y		43,45	
019-93602-104	Unit/Clutch; A3		41	
019-94100-005	Unit/Master Removal; A3		87	
019-94115-100	Holder Ass'y; V. - Transport Roller; A3		87	
019-94130-001	Unit/Master Disposal Box; A3		91	
019-95000-004	Unit/Master Making; A3		75	
019-95010-000	Master Loading Unit SW Ass'y		73	
019-95035-002	TPH Ass'y; T400A3		75	
019-95040-103	Unit/Write Pulse Motor		39,41	
019-95070-002	Set Guide Plate Ass'y; A3		73	
019-95095-005	Stocker Ass'y; A3		73	
019-95100-009	Set Sheet Plate Ass'y; A3		79	
019-95200-100	Unit/Master Roll Holder; A3		73	
019-95210-106	Guide Flange Ass'y A3	1	73	
019-95220-101	Damper Gear Ass'y	1	73	
019-95300-105	Unit/Cutter; A3		79	
019-96005-050	Unit/Scanner FB; 2750		65	
019-96011-050	Unit/Scanner FB; 3750		65	
019-96105-101	Interlock Switch; FB		93,97	
019-96110-016	Unit/Upper Rear Frame; FB		7	
019-97005-003	Unit/Operation Panel; 3750 US		97	
019-97006-000	Unit/Operation Panel; 3750 Pic.		97	
019-97007-006	Unit/Operation Panel; 3750		97	
019-97055-000	Sub-Panel Ass'y; 3750 US	1	97	
019-97056-007	Sub-Panel Ass'y; 3750 Pic.	1	97	
019-97057-003	Sub-Panel Ass'y; 3750	1	97	
019-97090-000	LCD; Panel	1	97	
019-97151-000	Key Board Cover; 3750 US		97	
019-97152-006	Key Board Cover; 3750 Pic.	1	97	

Part No.	Part Name	Q'ty	Page	Unit Value
019-97153-002	Key Board Cover; 3750	1	97	
019-97200-000	Front Cover Ass'y		101,103	
019-97220-001	Keyboard Bracket D Ass'y		3,5,7	
408-02300-001	Battery	1	107	
408-02301-008	Battery; CR-2450	1	99	
435-00018-004	TDK Core; HF70SH40 x 1.3 x 8	1	65	
435-00020-009	Core; TR-23-11-14	1	105	
435-00021-005	Core; TR-12.5-8-12	1	57	
435-00023-008	TDK Core; ZCAT 3035-1330	1	57	
443-00120-501	Micro-SW; E21-51N	1	69,73	
443-00120-609	Micro-SW; E21-91N	1	37,49,71,75	
443-00121-109	Micro-SW; 21-52N	1	81,85,87	
443-00121-400	Micro-SW; E21-51H-009	1	3,5,7	
443-00210-004	Micro-SW; DDIL-AIAA	4	93,97	
443-02000-708	Micro-SW; AM50630A331	2	9,13,15	
443-12000-005	Power Switch; JWZ2120-2001	1	93,97	
443-30002-007	Sensor K; PS-R11LB	1	11,13,15	
443-30003-003	Sensor; LG-203D	2	9,17,65	
443-30005-006	Sensor; GP1A71A	1	18,81,85,87	
443-32001-008	Sensor S; GP2A20L	1	13,15	
448-90019-008	Ground Wire; R3-440-R4	1	105	
479-10003-000	ROM Cover B	1	107	
484-00000-800	Pilot Lamp	1	26,30	
485-00001-804	Fuse 8A 125V 5.2 ULTS C	2	94,97	
485-00002-401	Fuse 10A 125V 5.2 ULTS C	2	94,97	
485-00003-203	Fuse 3.15A 250V 5.2 SET	6	94,97	
485-00003-300	Fuse 5A 250V 5.2 SET	1	94,97	
485-00003-408	Fuse 3.15A 125V ULTS C	6	94,97	
485-01420-002	Fuse 1A 250V 5.2SD6	2	94,97	
485-01421-009	Fuse 1A 250V 5.2 ET	2	94,97	
485-02110-007	Fuse 3.15A 125V SSFR	3	94	
485-02520-000	Fuse 6.3A 250V 5.2 ET	2	94,97	
488-00013-103	Power Cord; 100V	1	99	
488-00014-100	Power Cord; US	1	99	
488-00015-106	Power Cord; 200V	1	99	
488-90003-101	Ground Wire; U3-100-R3	3	71,75	
488-90009-002	Ground Wire; P. -F. -T.	1	11,13,15	
550-20059-108	Seal; P. -F. -T. Down	1	81,85,87	
550-20087-004	Seal; Paper Guiding Arm	1	51	
550-20118-104	TPH Seal	1	71,75	
550-20226-004	Seal; Paper Guiding Arm; Pic.	1	51	
550-20584-008	Seal; P. -Rcv. -T. Pos.	1	47	
550-20590-105	Seal; P. -F. -T.	1	11,13,15	
550-20671-105	Seal; M. -M.	1	71,75	
550-20672-101	Seal; M. -M.; Pic.	1	71,75	

Part No.	Part Name	Q'ty	Page	Unit Value
550-20677-103	Seal; Image Scanner	1	57	
550-20678-100	Seal; Image Scanner; Pic.	1	57	
550-20682-107	Seal; Original Size	1	55,103	
550-20687-001	Seal; P.-Feed Pressure	1	9	
550-20688-008	Seal; P.-Feed Pressure; Pic.	1	9	
550-20690-002	Seal; Master Disposal	1	89,91	
550-20691-009	Seal; Master Disposal; Pic.	1	89,91	
550-20693-001	Seal; Set Disposal Box	1	89,91	
550-20694-008	Seal; Set Disposal Box; Pic.	1	89,91	
550-20711-204	Seal; Master Cut	1	3,5	
550-20712-200	Seal; Master Cut; Pic.	1	3,5	
550-20760-000	Seal; Image Scanner	1	61	
550-20764-006	Digitizer Seal; Ja, US	1	107	
550-20861-001	Digitizer Seal; Gr	1	107	
550-20862-008	Digitizer Seal; Fr	1	107	
550-20863-004	Digitizer Seal; It	1	107	
550-20864-000	Digitizer Seal; Sp	1	107	
550-20865-007	Digitizer Seal; In	1	107	
550-20866-003	Digitizer Seal; Ch	1	107	
550-20867-000	Digitizer Seal; Kr	1	107	
550-20972-008	Seal F; P. -Rcv. -T.	1	53	
550-20973-004	Seal R; P. -Rcv. -T.	2	53	
550-20974-000	Seal C; P. -Rcv. -T.	2	53	
550-20981-104	Seal; Ink (Black)	1	26,30	
550-20982-003	Seal; Ink (Black); Pic.	1	26,30	
550-20983-000	Seal; Drum Holder	1	37	
550-20984-006	Seal; Drum Holder; Pic.	1	37	
550-20987-005	Seal; Setting Master	1	69,73	
550-20988-001	Seal; Setting Master; Pic.	1	69,73	
550-20998-007	Seal; Manual Pocket	1	101,103	
550-21024-103	Seal; P. -Rcv. -T.; US		53	
550-21025-100	Seal; Precision Stacking Tray	2	53	
550-21026-009	Seal F; P. -Rcv. -T.; US	1	53	
550-21027-005	Seal R; P. -Rcv. -T.; US	1	53	
550-21028-001	Seal C; P. -Rcv. -T.; US	1	53	
550-21036-004	Seal; Master Cut	1	7	
550-21037-000	Seal; Master Cut; Pic.	1	7	
550-21070-105	Seal; P. -Rcv. -T.; Pic		53	
550-21071-101	Seal; P. -Rcv. -T.		53	
550-21072-108	Seal; Precision Stacking Tray; Pic.	1	53	
550-21073-007	Seal; P. -Rcv. -T.; Caution	1	73	
550-21121-001	Seal; P. -F. -T.; US	1	11,15	
550-21141-002	Seal; Paper Guide Set	1	49	
550-21142-009	Seal; Paper Guide Set; Pic.	1	49	
600-06172-000	Bearing; F-606ZZ1	1	65	

Part No.	Part Name	Q'ty	Page	Unit Value
X-500	Pin; ϕ 2 x 8	10		
X-510	Pin; ϕ 2 x 10	10		
X-520	Pin; ϕ 2 x 12	10		
X-530	Pin; ϕ 2 x 14	10		
X-540	Pin; ϕ 2.5 x 8	10		
X-600	Junction Connector; 2P	5		
X-610	Junction Connector; 3P	5		
X-620	Junction Connector; 4P	5		
X-630	Junction Connector; 5P	5		
X-640	Junction Connector; 6P	5		
X-650	Plastic E Ring	10		
The orders for the above (X-000) numbered Parts are available only by quantities of tens or fives as indicated.				